



(12) **United States Patent**
Michelson

(10) **Patent No.:** **US 8,758,344 B2**
(45) **Date of Patent:** **Jun. 24, 2014**

(54) **SPINAL IMPLANT AND INSTRUMENTS**
(75) Inventor: **Gary Karlin Michelson**, Venice, CA (US)
(73) Assignee: **Warsaw Orthopedic, Inc.**, Warsaw, IN (US)
(*) Notice: Subject to any disclaimer, the term of this patent is extended or adjusted under 35 U.S.C. 154(b) by 0 days.
(21) Appl. No.: **13/596,756**
(22) Filed: **Aug. 28, 2012**
(65) **Prior Publication Data**
US 2012/0323331 A1 Dec. 20, 2012

2,181,746 A 11/1939 Siebrandt
2,243,718 A 5/1941 Moreira
2,514,665 A 7/1950 Myller
2,537,070 A 1/1951 Longfellow
2,543,780 A 3/1951 Hipps et al.
2,677,369 A 5/1954 Knowles
2,774,350 A 12/1956 Cleveland
2,789,558 A 4/1957 Rush
2,832,343 A 4/1958 Mose
2,842,131 A 7/1958 Smith
2,878,809 A 3/1959 Treace
2,919,692 A 1/1960 Ackermann
3,128,768 A 4/1964 Geistauts
3,298,372 A 1/1967 Feinberg
3,426,364 A 2/1969 Lumb
3,486,505 A 12/1969 Morrison
3,604,487 A 9/1971 Gilbert
3,605,123 A 9/1971 Hahn
3,618,611 A 11/1971 Urban
3,709,219 A 1/1973 Halloran

(Continued)

Related U.S. Application Data

(60) Continuation of application No. 13/306,583, filed on Nov. 29, 2011, now Pat. No. 8,251,997, which is a continuation of application No. 10/371,757, filed on Feb. 21, 2003, now Pat. No. 8,066,705, which is a continuation of application No. 08/480,461, filed on Jun. 7, 1995, now Pat. No. 7,491,205, which is a division of application No. 08/394,836, filed on Feb. 27, 1995, now Pat. No. 5,772,661.

FOREIGN PATENT DOCUMENTS

DE 1 961 531 7/1970
DE 31 01 333 A1 12/1981

(Continued)

OTHER PUBLICATIONS

U.S. Appl. No. 08/219,626, filed Mar. 1994, Michelson.

(Continued)

(51) **Int. Cl.**
A61B 17/56 (2006.01)
(52) **U.S. Cl.**
USPC **606/60**; 606/246; 606/248
(58) **Field of Classification Search**
USPC 606/60-61, 246-250
See application file for complete search history.

Primary Examiner — Michael A. Brown
(74) *Attorney, Agent, or Firm* — Martin & Ferraro, LLP

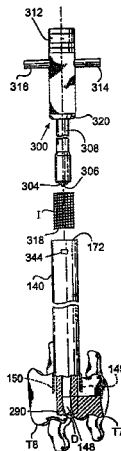
(56) **References Cited**
U.S. PATENT DOCUMENTS

350,420 A 10/1886 Dillon
1,137,585 A 4/1915 Craig
2,065,659 A 12/1936 Cullen

(57) **ABSTRACT**

A kit including an artificial implant for insertion between two adjacent vertebrae along a coronal plane.

20 Claims, 14 Drawing Sheets



(56)

References Cited

U.S. PATENT DOCUMENTS

3,719,186	A	3/1973	Merig, Jr.	D281,814	S	12/1985	Pratt et al.
3,720,959	A	3/1973	Hahn	4,570,623	A	2/1986	Ellison et al.
3,750,652	A	8/1973	Sherwin	4,570,624	A	2/1986	Wu
3,848,601	A	11/1974	Ma et al.	4,573,448	A	3/1986	Kambin
3,855,638	A	12/1974	Pilliar	4,592,346	A	6/1986	Jurgutis
3,867,728	A	2/1975	Stubstad et al.	4,599,086	A	7/1986	Doty
3,867,932	A	2/1975	Huene	4,600,000	A	7/1986	Edwards
3,867,950	A	2/1975	Fischell	4,602,638	A	7/1986	Adams
3,875,595	A	4/1975	Froning	4,604,995	A	8/1986	Stephens
3,888,260	A	6/1975	Fischell	4,608,052	A	8/1986	Van Kampen et al.
3,892,232	A	7/1975	Neufeld	4,611,581	A	9/1986	Steffee
3,905,047	A	9/1975	Long	4,619,264	A	10/1986	Singh
3,915,151	A	10/1975	Kraus	4,628,921	A	12/1986	Rouso
3,916,907	A	11/1975	Peterson	4,634,720	A	1/1987	Dorman et al.
3,918,440	A	11/1975	Kraus	4,636,217	A	1/1987	Ogilvie et al.
3,941,127	A	3/1976	Froning	4,636,526	A	1/1987	Dorman et al.
3,942,535	A	3/1976	Schulman	4,645,503	A	2/1987	Lin et al.
3,948,262	A	4/1976	Zaffaroni	4,653,486	A	3/1987	Coker
3,952,334	A	4/1976	Bokros et al.	4,653,509	A	3/1987	Oloff et al.
3,987,499	A	10/1976	Scharbach et al.	4,655,777	A	4/1987	Dunn
4,016,651	A	4/1977	Kawahara et al.	4,661,536	A	4/1987	Dorman et al.
4,027,392	A	6/1977	Sawyer et al.	4,664,567	A	5/1987	Edwards
D245,259	S	8/1977	Shen	4,665,920	A	5/1987	Campbell
4,051,905	A	10/1977	Kleine	4,677,883	A	7/1987	Lee
4,059,115	A	11/1977	Jumashev et al.	4,677,972	A	7/1987	Tornier
4,070,514	A	1/1978	Eatherly et al.	4,693,721	A	9/1987	Ducheyne
4,082,097	A	4/1978	Mann et al.	4,696,290	A	9/1987	Steffee
4,086,701	A	5/1978	Kawahara et al.	4,698,375	A	10/1987	Dorman et al.
4,124,026	A	11/1978	Berner et al.	4,710,075	A	12/1987	Davison
4,142,517	A	3/1979	Stavropoulos et al.	4,713,004	A	12/1987	Linkow et al.
4,168,326	A	9/1979	Broemer et al.	4,714,469	A	12/1987	Kenna
4,175,555	A	11/1979	Herbert	4,721,103	A	1/1988	Freedland
4,177,524	A	12/1979	Grell et al.	4,723,540	A	2/1988	Gilmer, Jr.
4,181,457	A	1/1980	Holmes	4,736,738	A	4/1988	Lipovsek et al.
4,197,850	A	4/1980	Schulman et al.	4,743,256	A	5/1988	Brantigan
4,206,516	A	6/1980	Pilliar	4,743,260	A	5/1988	Burton
4,222,128	A	9/1980	Tomonaga et al.	4,759,766	A	7/1988	Buettner-Janz et al.
D257,511	S	11/1980	Zahn	4,759,769	A	7/1988	Hedman et al.
4,232,679	A	11/1980	Schulman	4,769,881	A	9/1988	Pedigo et al.
4,237,948	A	12/1980	Jones et al.	4,772,286	A	9/1988	Goble
4,258,716	A	3/1981	Sutherland	4,781,591	A	11/1988	Allen
4,259,072	A	3/1981	Hirabayashi et al.	4,790,303	A	12/1988	Steffee
4,262,369	A	4/1981	Roux	4,805,602	A	2/1989	Puno et al.
4,271,832	A	6/1981	Evans et al.	4,820,305	A	4/1989	Harms et al.
D260,525	S	9/1981	Lassiter	4,830,000	A	5/1989	Shutt
4,289,123	A	9/1981	Dunn	4,832,683	A	5/1989	Idemoto et al.
4,293,962	A	10/1981	Fuson	4,834,757	A	5/1989	Brantigan
4,309,777	A	1/1982	Patil	4,848,327	A	7/1989	Perdue
4,328,593	A	5/1982	Sutter et al.	4,851,008	A	7/1989	Johnson
4,333,469	A	6/1982	Jeffcoat et al.	4,863,476	A	9/1989	Shepperd
4,341,206	A	7/1982	Perrett et al.	4,863,477	A	9/1989	Monson
4,349,921	A	9/1982	Kuntz	4,865,603	A	9/1989	Noiles
4,356,572	A	11/1982	Guillemin et al.	4,877,020	A	10/1989	Vich
4,401,112	A	8/1983	Rezaian	4,878,915	A	11/1989	Brantigan
4,405,319	A	9/1983	Cosentino	4,879,915	A	11/1989	Spencer
4,414,979	A	11/1983	Hirshorn et al.	4,903,882	A	2/1990	Long
4,423,721	A	1/1984	Otte et al.	4,904,260	A	2/1990	Ray et al.
4,439,152	A	3/1984	Small	4,904,261	A	2/1990	Dove et al.
4,450,834	A	5/1984	Fischer	4,911,718	A	3/1990	Lee et al.
4,484,570	A	11/1984	Sutter et al.	4,913,144	A	4/1990	Del Medico
4,492,226	A	1/1985	Belykh et al.	4,917,704	A	4/1990	Frey et al.
4,497,320	A	2/1985	Nicholson et al.	4,936,848	A	6/1990	Bagby
4,501,269	A	2/1985	Bagby	4,943,291	A	7/1990	Tanguy
4,507,115	A	3/1985	Kambara et al.	4,955,885	A	9/1990	Meyers
RE31,865	E	4/1985	Roux	4,955,908	A	9/1990	Frey et al.
4,530,360	A	7/1985	Duarte	4,957,495	A	9/1990	Kluger
4,535,374	A	8/1985	Anderson et al.	4,960,420	A	10/1990	Goble et al.
4,535,485	A	8/1985	Ashman et al.	4,961,740	A	10/1990	Ray et al.
4,542,539	A	9/1985	Rowe, Jr. et al.	4,968,316	A	11/1990	Hergenroeder
4,545,374	A	10/1985	Jacobson	4,969,888	A	11/1990	Scholten et al.
4,547,390	A	10/1985	Ashman et al.	4,987,904	A	1/1991	Wilson
4,549,547	A	10/1985	Brighton et al.	5,015,247	A	5/1991	Michelson
4,552,200	A	11/1985	Sinha et al.	5,015,255	A	5/1991	Kuslich
4,553,273	A	11/1985	Wu	5,026,373	A	6/1991	Ray et al.
4,554,914	A	11/1985	Kapp et al.	5,030,236	A	7/1991	Dean
				5,047,036	A	9/1991	Koutrouvelis
				5,047,055	A	9/1991	Bao et al.
				5,055,104	A	10/1991	Ray
				5,059,193	A	10/1991	Kuslich

(56)

References Cited

U.S. PATENT DOCUMENTS

5,062,845 A 11/1991 Kuslich et al.
 5,071,437 A 12/1991 Steffee
 5,084,050 A 1/1992 Draenert
 5,102,414 A 4/1992 Kirsch
 5,105,819 A 4/1992 Wollschlager et al.
 5,108,422 A 4/1992 Green et al.
 5,112,336 A 5/1992 Krevolin et al.
 5,116,304 A 5/1992 Cadwell
 5,122,130 A 6/1992 Keller
 5,123,926 A 6/1992 Pisharodi
 5,131,382 A 7/1992 Meyer
 5,171,278 A 12/1992 Pisharodi
 5,171,279 A 12/1992 Mathews
 5,183,471 A 2/1993 Wilk
 5,192,327 A 3/1993 Brantigan
 5,195,541 A 3/1993 Obenchain
 5,217,479 A 6/1993 Shuler
 5,242,443 A 9/1993 Kambin
 5,246,458 A 9/1993 Graham
 5,258,031 A 11/1993 Salib et al.
 5,263,953 A 11/1993 Bagby
 5,269,772 A 12/1993 Wilk
 5,279,292 A 1/1994 Baumann et al.
 5,292,252 A 3/1994 Nickerson et al.
 5,306,307 A 4/1994 Senter et al.
 5,306,309 A 4/1994 Wagner et al.
 5,314,427 A 5/1994 Goble et al.
 5,314,432 A 5/1994 Paul
 5,324,295 A 6/1994 Shapiro
 5,352,229 A 10/1994 Goble et al.
 5,360,430 A 11/1994 Lin
 5,364,399 A 11/1994 Lowery et al.
 5,370,662 A 12/1994 Stone et al.
 5,370,697 A 12/1994 Baumgartner
 5,393,036 A 2/1995 Sheridan
 RE34,871 E 3/1995 McGuire et al.
 5,395,317 A 3/1995 Kambin
 5,395,372 A 3/1995 Holt et al.
 5,396,880 A 3/1995 Kagan et al.
 5,397,364 A 3/1995 Kozak et al.
 5,425,772 A 6/1995 Brantigan
 5,435,723 A 7/1995 O'Brien
 5,441,527 A 8/1995 Erickson et al.
 5,443,514 A 8/1995 Steffee
 5,458,638 A 10/1995 Kuslich et al.
 5,480,440 A 1/1996 Kambin
 5,484,437 A 1/1996 Michelson
 5,489,307 A 2/1996 Kuslich et al.
 5,489,308 A 2/1996 Kuslich et al.
 D368,777 S 4/1996 Goble et al.
 5,569,290 A 10/1996 McAfee
 5,571,109 A 11/1996 Bertagnoli
 5,593,409 A 1/1997 Michelson
 5,609,636 A 3/1997 Kohrs et al.
 5,658,337 A 8/1997 Kohrs et al.
 5,683,463 A 11/1997 Godefroy et al.
 5,766,252 A 6/1998 Henry et al.
 5,772,661 A 6/1998 Michelson
 D397,439 S 8/1998 Koros et al.
 5,792,044 A 8/1998 Foley et al.
 5,800,547 A 9/1998 Schafer et al.
 5,885,299 A 3/1999 Winslow et al.
 6,224,595 B1 5/2001 Michelson
 6,241,770 B1 6/2001 Michelson
 7,198,598 B2 4/2007 Smith et al.
 7,207,991 B2 4/2007 Michelson
 7,491,205 B1 2/2009 Michelson
 7,905,840 B2 3/2011 Pimenta et al.
 7,993,378 B2 8/2011 Foley et al.
 8,000,782 B2 8/2011 Gharib et al.
 8,005,535 B2 8/2011 Gharib et al.
 8,016,767 B2 9/2011 Miles et al.
 8,066,705 B2 11/2011 Michelson
 D652,922 S 1/2012 Miles et al.
 8,187,334 B2 5/2012 Curran et al.

8,192,356 B2 6/2012 Miles et al.
 8,251,997 B2 8/2012 Michelson
 8,343,224 B2 1/2013 Lynn et al.
 8,361,156 B2 1/2013 Curran et al.
 8,414,907 B2 4/2013 Molz et al.
 8,591,432 B2 11/2013 Pimenta et al.
 8,613,769 B2 12/2013 Sears et al.

FOREIGN PATENT DOCUMENTS

DE 31 32 520 A1 6/1982
 DE 35 05 567 A1 6/1986
 DE 36 08 163 A1 9/1987
 EP 0 077 159 4/1983
 EP 0 162 005 11/1985
 EP 0 179 695 4/1986
 EP 0 551 187 a1 7/1993
 EP 0 567 424 A1 10/1993
 EP 0 577 179 a1 1/1994
 EP 0 599 419 A2 6/1994
 EP 0 627 204 A2 12/1994
 EP 2 108 341 A1 10/2009
 ES 283078 5/1985
 FR 2 581 336 11/1986
 FR 2 703 580 10/1994
 GB 1291470 10/1972
 GB 1531487 11/1978
 GB 2076657 A 12/1981
 GB 2126094 A 3/1984
 GB 2164277 A 3/1986
 JP 60-31706 9/1985
 JP 60-43984 10/1985
 JP 62-155846 7/1987
 JP 63-300758 12/1988
 JP 4-88929 U 8/1992
 SE 106 101 7/1939
 SU 1107854 8/1984
 SU 1124960 11/1984
 SU 1217374 3/1986
 SU 1222254 4/1986
 SU 1650114 A 5/1991
 WO WO 84/01298 4/1984
 WO WO 90/00037 1/1990
 WO WO 92/14423 9/1992
 WO WO 94/28824 12/1994
 WO WO 96/22747 8/1996

OTHER PUBLICATIONS

U.S. Appl. No. 12/655,178, filed Dec. 2009, Michelson.
 Adams, et al.; *Outline of Orthopaedics*, Eleventh Edition; Trunk and Spine; 1990; cover page and p. 194.
 Herkowitz, et al.; *Principles of Bone Fusion; The Spine*, Third Edition; Chapter 44; cover page and p. 1739; 1992.
 Muschler, et al.; *The Biology of Spinal Fusion; Spinal Fusion Science and Technique*, Cotler and Cotler (editors); 1990; 2 cover pages and pp. 9-21.
 Zindrick, et al.; *Lumbar Spine Fusion: Different Types and indications; The Lumbar Spine vol. 1, Second Edition*, 2 cover pages and pp. 588-593 (1996).
 Gillingham, F.J., et al., *Automatic Patient Monitoring in the Ward*; *Brit. J. Surg.*, vol. 53, No. 10 cover page and pp. 864-866 (Oct. 1966).
 Maloney, A.F.J., et al.; *Clinical and Pathological Observations in Fatal Head Injuries*, *Brit. J. Surg.* vol.56, No. 1, cover page and pp. 23-31 (Jan. 1969).
 Harris, P., et al.; *Spinal Deformity After Spinal Cord injury; Paraplegia*, vol. 6, No. 4, cover page and page 232-238 (Feb. 1969).
 Gillingham, F.J., et al.; *Head injuries; Proceedings of the 18th World Congress of the International College of Surgeons, Rome*, 2 cover pages and pp. 68-71 (May 28-31, 1972).
 Whatmore, W. J.; *Sincipital Encephalomenocele*; *Brit. J. Surg.*, vol. 60, No. 4, cover page and pp. 261-270 (Apr. 1973).
 Whatmore, W. J., et al.; *Meningioma Following Trauma*; *Brit J. Surg.*, vol. 60, No. 6, cover page and pp. 496-498 (Jun. 1973).
 Bagby, George W.; *Wobbler Syndrome in Horses (the Ataxic Horse)*; *Spokane County Medical Society Bulletin*; Spring 1979; 2 pages.

(56)

References Cited

OTHER PUBLICATIONS

- Rathke, F.W. et al.; *Surgery of the Spine; Atlas of Orthopaedic Operations*, vol. 1, p. 137, W.B. Saunders Co., Philadelphia (1979).
- Albrektsson, T., et al.; *Osseointegrated Titanium implants; Acta Orthop. Scand.*; vol. 52:155-170 (1981).
- Raveh, J., et al.; *Neue Rekonstruktionsmöglichkeiten des Unterkiefers bei knöchernen Defekten nach Tumorsektionen; Der Chirurg* vol. 53:459-467 (1982).
- Crock, H. V.; *Practice of Spinal Surgery; Springer-Verlag/Wien, New York* (1983); 14 pages.
- Crock, Henry V.; *Practice of Spinal Surgery, Springer-Verlag/Wien, New York* (1983); cover page and pp. 64-92.
- DeBowes, R.M., et al.; *Study of Bovine . . . Steel Baskets; Transactions of the 29th Annual Meeting; Orthopaedic Research Society*, vol. 8, cover page and p. 407, Mar. 8-10, (1983).
- O'Neill, P., et al.; *Spinal Meningoceles in Association with Neurofibromatosis; Neurosurgery*, vol. 13, No. 1, cover page and pp. 82-84 (Jul. 1983).
- Brandt, L., et al.; *A Dowel Insert for Anterior Cervical interbody Fusion; J. Neurosurg.* 61:793-794 (Oct. 1984).
- Whatmore, W.J., et al.; *The Coventry Cervical Spreader and Dowel Insert; ACTA Neurochirurgica*, vol. 70, FASC. 1-2; cover page and p. 132; (1984).
- Raveh, J., et al.; *Use of the Titanium-coated Hollow Screw and Reconstruction Plate System in Bridging of Lower Jaw Defects; J. Oral Maxillofac Surg.* 42:281-294 (1984).
- Otero-Vich, Jose M.; *Anterior Cervical Interbody Fusion with Threaded Cylindrical Bone; J. Neurosurg* 63; 2 cover pages and pp. 750-753 (Nov. 1985).
- Morscher, E., et al.; *Die vordere Verplattung der Halswirbelsäule mit dem Hohlschrauben-Plattensystem aus Titanium, Der Chirurg*, vol. 57, pp. 702-707 (1986) with English Translation.
- Bagby, G.W.; *Basket Implant Facilitates Spinal Fusion; Orthopedics Today*, vol. 7, No. 10, (Oct. 1987); 3 pages.
- Butts, M. K., et al.; *Biomechanical Analysis of a New Method for Spinal Interbody Fixation; 1987 Symposium, American Society of Mechanical Engineers, "Advances in Bioengineering"*, Boston, MA (Dec. 13 18, 1987); 7 pages.
- Crawley et al.; *A Modified Cloward's Technique for Arthrodesis of the Normal Metacarpophalangeal Joint in the Horse; Veterinary Surgery*, vol. 17, No. 3, pp. 117-127 (1988).
- Raveh, J., et al.; *Surgical Procedures for Reconstruction of the Lower Jaw Using the Titanium Coated Hollow Screw Reconstruction Plate System: Bridging of Defects; Otolaryngologic Clinics of North America*; vol. 20, No. 3; pp. 535-558; (Aug. 1987).
- Whatmore, W. J.; *Proceedings of the Society of British Neurological Surgeons; Journal of Neurology, Neurosurgery, and Psychiatry*, 50:1093-1100 (1987).
- Goldthwaite, N., et al.; *Toward Percutaneous Spine Fusion; Ch. 45; Lumbar Spine Surgery: Techniques and Complications; C.V. Mosby Company*, 2 cover pages and pp. 512-522 (1987).
- Bagby, G.W.; *Arthrodesis by the Distraction-Compression Method Using a Stainless Steel Implant; Orthopedics*, vol. II, No. 6, pp. 931-934 (Jun. 1988).
- Itoman, M., et al.; *Banked Bone Grafting for Bone Defect Repair—Clinical Evaluation of Bone Union and Graft Incorporation; J. Jpn. Orthop. Assoc.* 62:461-469 (1988).
- Kane, W.J.; *Direct Current Electrical Bone Growth Stimulation for Spinal Fusion; Spine*, vol. 13, No. 3, pp. 363-365 (Mar. 1988).
- The SpF-T Spinal Fusion Stimulator: *An Efficacious Adjunct that Meets the Diverse Needs of Spine Patients; EBI Medical Systems; (Aug. 1991); 4 pages.*
- Schmitz et al.; *Performance of Alloplastic Materials and Design of an Artificial Disc; The Artificial Disc, Brock, Mayer, Weigel (editors); cover page and pp. 23-34 (1991).*
- The Use of Direct Current for Electrically Induced Osteogenesis; *The Positive Effect of an Electronegative charge on Bone Growth; EBI Medical Systems (Feb. 1993); 4 pages.*
- Mylonas, C., et al.; *Anterior Cervical Decompression and Fusion Using the Coventry Cervical Spreader and Dowel inserter, British Journal of Neurosurgery*, 7: cover page and pp. 545-549 (1993).
- Fusion of the Lumbar Spine; Anterior Monosegmental Fusion L5-S1, Atlas of Spinal Operations, Thieme, cover page and pp. 270-274 (1993).*
- Spine Basics, Danek Group, Inc., Glossary (1993); 2 pages.*
- Lumbar Spine Surgery, Techniques & Complications; 1987; pp. 11-15, 27, 30, 35-45, and 265-268.*
- Cloward, Ralph B.; *Surgical Techniques for Lumbar Disc Lesions; Codman; Signature Series 3; 1982; 31 pages.*
- Cloward, Ralph B.; *Ruptured Cervical Intervertebral Discs: Removal of Disc & Osteophytes & Anterior Cervical Interbody Fusion (A.C. I.F.); Codman; Signature Series 4; 1974; 22 pages.*
- Cloward, Ralph B.; *Recent Advances in Surgery of the Cervical Spine; 2 cover pages and pp. 285-293; German Society for Neurosurgery: vol. 2 Cervical Spine Operations; Excerpta Medica; 1971.*
- Hutter, Charles George; *Spinal Stenosis and Posterior Lumbar Interbody Fusion; 2 cover pages and pp. 103-114; Clinical Orthopaedics and Related Research; No. 193; The Association of Bone and Joint Surgeons; 1985.*
- Lin, Paul M. (editor); *Posterior Lumbar interbody Fusion; 2 cover pages and pp. 114-122; Charles C. Thomas; Springfield, Illinois; 1982.*
- Lin, Paul M., et al. (editors); *Lumbar Interbody Fusion: Principles and Techniques in Spine Surgery; Techniques and Complications; 5 cover pages and pp. 81, 98, 120, 146, 173, 180-184, 204, 224, 225, and 231; Aspen Publishers, Inc.; 1989.*
- Tan, S.B., et al.; *A Modified Technique of Anterior Lumbar Fusion with Femoral Cortical Allograft; 2 cover pages and pp. 83-93; The Journal of Orthopaedic Surgical Techniques*, vol. 5, No. 3, 1990.
- Muller, M.E., et al.; *Manual of Internal Fixation; Techniques Recommended by the AO Group; Second Edition, Expanded and Revised; cover page and pp. V, VI, 3-20, 27-41, 53-58, 71-78, 94, 311, and 320; Springer-Verlag; 1979.*
- Hierholzer, G., et al.; *Manual on the AO/ASIF Tubular External Fixator; 2 cover pages and pp. 85-91; Springer-Verlag; 1985.*
- Heim, Urs, et al.; *Small Fragment Set Manual: Technique Recommended by the ASIF-Group; 2 cover pages and pp. 5-7, 10, 20, 21, and 30; Springer-Verlag; 1974.*
- Harmon, Paul H.; *Anterior Excision and Vertebral Body Fusion Operation for Intervertebral Disk Syndromes of the Lower Lumbar Spine: Three- to Five-Year Results in 244 Cases; pp. 107-127; Clinical Orthopaedics and Related Research, No. 26, J.B. Lippincott Company, 1963.*
- Harmon, Paul H.; *A Simplified Surgical Technic for Anterior Lumbar Diskectomy and Fusion; Avoidance of Complications; Anatomy of the Retroperitoneal Veins; pp. 130-144; Clinical Orthopaedics and Related Research, No. 37, J.B. Lippincott Company, 1964.*
- Bullough, P., et al.; *Atlas of Spinal Diseases; Figure 5.7; J.B. Lippincott Company; 1988; 3 pages.*
- Canale, S. Terry; *Campbell's Operative Orthopaedics; vol. 3, 9th Edition; 2 cover pages and pp. 2191, 2216 and 2459; Mosby, 1998.*
- Baulot et al.; *"Complementary Anterior Spondyloclesis by Thoracoscopy. Technical note regarding an observation, Technical Designs and Experimental Research;" 90(5): 347-351 (1994).*
- Bolesta and Bohlman; *Chapter 68: "Surgical Management of Injuries to the Thoracic and Lumbosacral Spine;" in "Surgery of the Spine, A Combined Orthopaedic and Neurosurgical Approach;" Ed. Findlay and Owen, pp. 1115-1129 and cover page; Oxford, Blackwell Scientific Publications (1992).*
- Larson et al.; *"Lateral Extracavitary Approach to Traumatic Lesions of the Thoracic and Lumbar Spine;" J. Neurosurg.; 45:628-637 (1976).*
- McAfee, Paul C., et al.; *Minimally Invasive Anterior Retroperitoneal Approach to the Lumbar Spine, Emphasis on the Lateral BAK; SPINE*, vol. 23, No. 13, pp. 1476-1484 (1998).
- Maiman et al.; *"Lateral Extracavitary Approach to Spine for Thoracic Disc Herniation: Report of 23 Cases;" Neurosurg.: 14(2):178-182 (1984).*

(56)

References Cited

OTHER PUBLICATIONS

Rosenthal et al.; "Removal of a Protruded Thoracic Disc Using Microsurgical Endoscopy, A New Technique." *Spine*, 19(9);1087-1091 (1994).

Sturm et al.; "Far Lateral Lumbar Disc Herniation Treated with an Anteriorlateral Retroperitoneal Approach;" *Spine*, 17(3):363-365 (1992).

Friedman, William; "Percutaneous Discectomy: An Alternative to Chemonucleolysis?" *Neurosurgery*, 13(5); cover page, contents page and pp. 542-547 (1983).

Hoppenfeld, Stanley; "Percutaneous Removal of Herniated Lumbar Discs;" *Clinical Orthopaedics and Related Research*, No. 238, 2 cover pages and pp. 92-97 (1989).

Leu et al.; "Percutaneous Fusion of the Lumbar Spine: A Promising Technique;" *Spine*, vol. 6, No. 3, 2 cover pages and pp. 593-604 (1992).

Schreiber et al.; "Percutaneous Nucleotomy: Technique with Discoscopy;" *Orthopedics*, vol. 14, No. 4, cover page, contents page and pp. 439-444 (1991).

Verbiest, H.; Chapter 1: "History and Development of Spinal Surgery;" in "Surgery of the Spine, A Combined Orthopaedic and Neurosurgical Approach," Ed. Findlay and Owen, 2 cover pages and pp. 3-15; Oxford, Blackwell Scientific Publications (1992).

Wiltberger, B.R.; "Dowel Intervertebral Fusion as Used in Lumbar Disc Surgery;" *The Journal of Bone and Joint Surgery*, vol. 39A, cover page and pp. 234-292, and 331; 1957.

Steffee, Arthur D., et al.; Presentation titled "Artificial Discs and Joints" dated Oct. 17-22, 1993: showing x-rays of surgery using the AcroFlex Disc dated Nov. 2, 1988; 100 pages.

X-Rays showing surgeries performed using the AcroFlex Disc; Sep. 7, 1989; 7 pages.

Pictures showing surgery performed using the Brantigan I/F Cage; undated; 11 pages.

Pictures of Brantigan I/F Cage, undated, 7 pages.

Brantigan, John W., et al.; presentation titled "Interbody Lumbar Fusion Using a Carbon Fiber Cage Implant vs. Allograft Bone—an investigational study in the Spanish goat;" undated; 7 pages.

Pictures showing surgery performed using the Brantigan Anterior I/F Cage; undated; 9 pages.

X-Rays and pictures showing surgeries performed using the Brantigan Anterior I/F Cage; Nov. 12, 1992; 15 pages.

X-Rays showing surgeries performed using the Brantigan Anterior I/F Cage; May 17, 1991; 24 pages.

X-Rays and pictures showing surgeries performed on sheep using the Brantigan Anterior I/F Cage; dated Apr. 30, 1990 through Jul. 4, 1992; 477 pages.

X-Rays and picture showing surgery using the BAK Cage; undated; 3 pages.

Drawings and pictures showing surgery on sheep using the BAK Cage; undated; 6 pages.

Medtronic Sofamor Danek USA, Inc. et al. v. Nuvasive, Inc.; Defendant Nuvasive, Inc.'s First Amended Answer to Plaintiffs' First Amended Complaint for Patent Infringement and Third Amended Counterclaims; 24 pages; dated Sep. 4, 2009.

Medtronic Sofamor Danek USA, Inc. et al. v. Nuvasive, Inc.; Joint Claim Construction Chart, Worksheet, and Hearing Statement Pursuant to Patent L.R. 4.2 for U.S. Patent No. 5,772,661, U.S. Patent No. 5,860,973, and U.S. Patent No. 6,945,933; 5 pages; dated May 27, 2009; Exhibit A, 22 pages; Exhibit B, 24 pages; Exhibit D, 14 pages; Exhibit E, 21 pages.

Medtronic Sofamor Danek USA, Inc. et al. v. Nuvasive, Inc.; Medtronic's Third Supplemental Disclosure of Asserted Claims and Infringement Contentions; 5 pages; dated Nov. 6, 2009; Attachment 16, 2 pages.

Medtronic Sofamor Danek USA, Inc. et al. v. Nuvasive, Inc.; Joint Claim Construction Chart, Worksheet, and Hearing Statement Pursuant to Patent L.R. 4.2 for U.S. Patent Nos. 6,592,586; 5,860,973; 6,945,933; 7,582,058; and 7,470,236: 4 pages; dated Nov. 23, 2009; Exhibit B, 21 pages; Exhibit G, 17 pages.

Medtronic Sofamor Danek USA, Inc. et al. v. Nuvasive, Inc.; Medtronic Sofamor Danek USA, Inc. et al.'s Opening Claim Construction Brief; 70 pages; dated Jan. 11, 2010.

Medtronic Sofamor Danek USA, Inc. et al. v. Nuvasive, Inc.; Medtronic's Fourth Supplemental Disclosure of Asserted Claims and Infringement Contentions; 8 pages; dated Feb. 12, 2010.

Medtronic Sofamor Danek USA, Inc. et al. v. Nuvasive, Inc.; Medtronic Sofamor Danek USA, Inc., et al.'s Preliminary Claim Constructions Pursuant to Patent L.R. 4.1; 9 pages; dated Apr. 24, 2009.

Medtronic Sofamor Danek USA, Inc. et al. v. Nuvasive, Inc.; Medtronic Sofamor Danek USA, Inc., et al.'s Preliminary Claim Constructions Regarding U.S. Patent Nos. 6,592,586; 5,860,973; 6,945,933; 7,582,058; 7,207,949; and 7,470,236 Pursuant to Patent L.R. 4.1: 11 pages; dated Sep. 30, 2009.

Medtronic Sofamor Danek USA, Inc. et al. v. Nuvasive, Inc.; Medtronic Sofamor Danek USA, Inc., et al.'s Responsive Claim Construction Brief; 37 pages; dated Jan. 20, 2010.

Medtronic Sofamor Danek USA, Inc. et al. v. Nuvasive, Inc.; Declaration of Esha Bandyopadhyay in Support of Medtronic's Responsive Claim Construction Brief; 4 pages; dated Jan. 20, 2010; Exhibit 11, 4 pages; Exhibit 12, 3 pages; Exhibit 13, 2 pages; Exhibit 14, 3 pages; Exhibit 16, 3 pages; Exhibit 17, 2 pages.

Medtronic Sofamor Danek USA, Inc. et al. v. Nuvasive, Inc.; Medtronic Sofamor Danek USA, Inc., et al.'s Responsive Claim Constructions Regarding U.S. Patent Nos. 6,592,586; 5,860,973; 6,945,933; 7,582,058; 7,207,949; and 7,470,236 Pursuant to Patent L.R. 4.1; 12 pages; dated Oct. 9, 2009.

Medtronic Sofamor Danek USA, Inc. et al. v. Nuvasive, Inc.; Nuvasive, Inc.'s Opening Claim Construction Brief Regarding U.S. Patent Nos. 7,470,236; 7,582,058; 5,860,973; 6,592,586; and 6,945,933; 70 pages; dated Jan. 11, 2010.

Medtronic Sofamor Danek USA, Inc. et al. v. Nuvasive, Inc.; Nuvasive, Inc.'s Preliminary Claim Constructions and Identification of Extrinsic Evidence Pursuant to Patent L.R. 4.1 for U.S. Patent No. 5,772,661, U.S. Patent No. 5,860,973, and U.S. Patent No. 6,945,933; 24 pages; dated Apr. 24, 2009.

Medtronic Sofamor Danek USA, Inc. et al. v. Nuvasive, Inc.; Nuvasive, Inc.'s Preliminary Claim Constructions and Identification of Extrinsic Evidence Pursuant to Patent L.R. 4.1 for U.S. Patent No. 6,592,586, U.S. Patent No. 5,860,973, U.S. Patent No. 6,945,933; U.S. Patent No. 7,207,949, U.S. Patent No. 7,470,236, and U.S. Patent No. 7,582,058; 7 pages; Sep. 30, 2009.

Medtronic Sofamor Danek USA, Inc. et al. v. Nuvasive, Inc.; Nuvasive, Inc.'s Responsive Claim Constructions Pursuant to Patent L.R. 4.1; 15 pages; dated May 8, 2009.

Medtronic Sofamor Danek USA, Inc. et al. v. Nuvasive, Inc.; Nuvasive, Inc.'s Responsive Claim Constructions and identification of Extrinsic Evidence Pursuant to Patent L.R. 4.1 for U.S. Patent No. 6,592,586, U.S. Patent No. 5,860,973, U.S. Patent No. 6,945,933; U.S. Patent No. 7,207,949, U.S. Patent No. 7,470,236, and U.S. Patent No. 7,582,058; 18 pages; dated Oct. 9, 2009.

Medtronic Sofamor Danek USA, Inc. et al. v. Nuvasive, Inc.; NuVasive's Preliminary Identification of Prior Art; 12 pages; dated Dec. 24, 2008.

Medtronic Sofamor Danek USA, Inc. et al. v. NuVasive, Inc.; NuVasive Inc.'s Supplemental Response to Plaintiffs' Interrogatory No. 6; 26 pages; dated Apr. 17, 2009.

Medtronic Sofamor Danek USA, Inc. et al. v. Nuvasive, Inc.; Order Construing Disputed Claim Terms of United States Patent Nos. 5,860,973; 6,945,933; 6,592,586; and 7,470,236; pp. 1-22; Case No. 08cv1512-MMA(AJB); Apr. 1, 2010.

Medtronic Sofamor Danek USA, Inc., et al. v. Nuvasive, Inc.; Plaintiff Medtronic Sofamor Danek USA, Inc., et al.'s Supplemental Objections and Responses to NuVasive, Inc.'s Second Set of Interrogatories (No. 16); 13 pages; dated May 10, 2010.

Medtronic Sofamor Danek USA, Inc. v. Nuvasive, Inc.; Nuvasive, Inc.'s Corrected Final Invalidity Contentions Regarding U.S. Patent Nos. 5,860,973; 6,592,586; and 6,945,933; 17 pages; dated Jun. 14, 2010; Appendix B.1, 63 pages; Appendix B.2, 61 pages; Appendix B.3, 55 pages; Appendix B.4, 61 pages; Appendix B.5, 51 pages; Appendix B.6, 73 pages; Appendix B.7, 61 pages; Appendix B.8, 53 pages; Appendix B.9, 43 pages; Appendix B.10, 60 pages; Amended Appen-

(56) **References Cited**

OTHER PUBLICATIONS

- dix B.11, 78 pages; Appendix B.14, 27 pages; Appendix B.15, 50 pages; Appendix B.16, 35 pages; Appendix B.17, 12 pages; Appendix B.18, 14 pages; Appendix B.19, 13 pages; Appendix B.20, 12 pages; Appendix B.21, 13 pages; Appendix B.22, 13 pages; Appendix B.23, 13 pages.
- Medtronic Sofamor Danek, Inc., v. Nuvasive, Inc.*; Expert Report of Dr. Barton L. Sachs, M.D., M.B.A., CPE Regarding Infringement of U.S. Patent Nos. 5,860,973 and 6,945,933 (redacted); 194 pages; Dec. 3, 2010.
- Medtronic Sofamor Danek, Inc., v. Nuvasive, Inc.*; Expert Rebuttal Report of Dr. Barton L. Sachs, M.D., M.B.A., CPE Regarding Validity of U.S. Patent Nos. 5,860,973 and 6,945,933; 144 pages; Jan. 20, 2011.
- Warsaw Orthopedic, Inc., v. Nuvasive, Inc.*; Medtronic's Opposition to Nuvasive Inc.'s Motions for Summary Judgment (Redacted Version); 30 pages; Mar. 9, 2011.
- Warsaw Orthopedic, Inc., v. Nuvasive, Inc.*; Medtronic's Responses to Nuvasive's Statement of Undisputed Facts and Medtronic's Statement of Additional Material Facts (Redacted Version); 77 pages; Mar. 9, 2011.
- Warsaw Orthopedic, Inc., v. Nuvasive, Inc.*; Nuvasive's Opposition to Warsaw's Motions for Summary Judgment (Redacted Version); 31 pages; Mar. 9, 2011.
- Warsaw Orthopedic, Inc., v. Nuvasive, Inc.*; Nuvasive's Response to Warsaw's Statement of Undisputed Material Facts (Redacted Version); 89 pages; Mar. 10, 2011.
- Warsaw Orthopedic, Inc., v. Nuvasive, Inc.*; Medtronic's Responses to Nuvasive's Statement of Additional Material Facts (Redacted Version); 39 pages; Mar. 16, 2011.
- Warsaw Orthopedic, Inc., v. Nuvasive, Inc.*; Nuvasive's Reply in Support of Motions for Summary Judgment (Redacted Version); 13 pages; Mar. 16, 2011.
- Warsaw Orthopedic, Inc., v. Nuvasive, Inc.*; Nuvasive's Reply to Warsaw's Statement of Additional Material Facts (Redacted Version); 67 pages; Mar. 16, 2011.
- Warsaw Orthopedic, Inc., v. Nuvasive, Inc.*; Reply Memorandum in Support of Medtronic's Motion for Summary Judgment (Redacted Version); 14 pages; Mar. 16, 2011.
- Medtronic Sofamor Danek, Inc., v. Nuvasive, Inc.*; Notice and Order Providing Tentative Rulings Re: Parties' Cross Motions for Summary Judgment; 1 page; Mar. 21, 2011.
- Warsaw Orthopedic, Inc. v. Nuvasive, Inc.*; Nuvasive, Inc.'s Notice Pursuant to 35 U.S.C. § 282; 11 pages; Jul. 29, 2011.
- Warsaw Orthopedic, Inc., v. Nuvasive, Inc.*; Judgment Following Jury Verdict; 9 pages; Sep. 29, 2011.
- Barnes, Walter P.; "The Use of Blade-Guides in intervertebral-Body Bone-Grafting;" *The Journal of Bone & Joint Surgery*, vol. 40-A, No. 2; Apr. 1958; cover pages and pp. 461-464.
- Brantigan, John W., et al.; "A Carbon Fiber Implant to Aid Interbody Lumbar Fusion: 1-year Clinical Results in the First 26 Patients;" *Lumbar Fusion and Stabilization*; cover page and pp. 379-395.
- Brantigan, John W., et al.; "A Carbon Fiber Implant to Aid Interbody Lumbar Fusion: Two-year Clinical Results in the First 26 Patients;" *SPINE*, vol. 18, No. 14; 1993; pp. 2106-2117.
- Brantigan, John W., et al.; "A Carbon Fiber Implant to Aid Interbody Lumbar Fusion: Mechanical Testing;" *SPINE*, vol. 16, No. 6S; Jun. 1991; pp. S277-S282.
- Brantigan ALIF Cage, 1993, 121 pages.
- Chang, Benjamin B., et al.; "The Right Retroperitoneal Approach for Abdominal Aortic Surgery;" *The American Journal of Surgery*; vol. 158; Aug. 1989; cover and pp. A2, A3, and 156-158.
- Freebody, D., et al.; "Anterior Transperitoneal Lumbar Fusion;" *The Journal of Bone and Joint Surgery*; vol. 53B, No. 4; Nov. 1971; pp. 617-627.
- Fujimaki, Arihisa, et al.; "The Results of 150 Anterior Lumbar Interbody Fusion Operations Performed by Two Surgeons in Australia;" *Clinical Orthopaedics and Related Research*; No. 165; May 1982; pp. 164-167.
- Harmon, Paul H.; "Subtotal Anterior Lumbar Disc Excision and Vertebral Body Fusion;" *American Journal of Surgery*; vol. 97; May 1959; pp. 649-659.
- Hodgson, A.R., et al.; "The Classic Anterior Spinal Fusion;" *Clinical Orthopaedics and Related Research*; No. 300; Mar. 1994; pp. 16-23.
- Hoover, Norman W., et al.; "Methods of Lumbar Fusion;" *The Journal of Bone & Joint Surgery*; vol. 50-A, No. 1; Jan. 1968; cover page and pp. 194-210.
- Mack, Michael J., et al.; "Video-Assisted Thoracic Surgery for the Anterior Approach to the Thoracic Spine;" *Ann Thorac Surg*; No. 59; 1995; pp. 1100-1106.
- McAfee, Paul C.; "Complications of Anterior Approaches to the Thoracolumbar Spine;" *Clinical Orthopaedics*; vol. 306; Sep. 1994; pp. 110-119.
- Nissan, M., et al.; "The Cervical and Lumbar Vertebrae—An Anthropometric Model;" *Engineering in Medicine*; vol. 13, No. 3; 1984; pp. 111-114.
- Panjabi, Manohar M., et al.; "Cervical; Human Vertebrae Quantitative Three-Dimensional Anatomy of the Middle and Lower Regions;" *SPINE*; vol. 16; No. 8; 1991; pp. 861-869.
- Panjabi, Manohar M.; et al.; "Thoracic Human Vertebrae Quantitative Three-Dimensional Anatomy;" *SPINE*; vol. 16, No. 8; 1991; pp. 888-901.
- Postacchini, Franco, et al.; "Morphometry of the Lumbar Vertebrae;" *Clinical Orthopaedics and Related Research*; No. 172; Jan.-Feb. 1983; pp. 296-303.
- Program for Thoracoscopy and Laparoscopy of the Spine; Feb. 18-19, 1994; 4 pages.
- Scoles, Peter V., et al.; "Vertebral Body and Posterior Element Morphology: The Normal Spine in Middle Life;" *SPINE*; vol. 13, No. 10; Oct. 1988; cover page and pp. 1083-1085.
- Texas Back Institute Research Foundation Neuroscience Conference Schedule; First Quarter of 1994; 1 page.
- van Schiak, Jan J.P., et al.; "Morphometry of Lower Lumbar Vertebrae as Seen on CT Scans: Newly Recognized Characteristics;" *American Journal of Roentgenology*; vol. 145, No. 2; Aug. 1985; pp. 327-335.
- Brantigan, John W., et al.; "Interbody Lumbar Fusion Using a Carbon Fiber Cage Implant Versus Allograft Bone;" *SPINE*, vol. 19, No. 13; 1994; pp. 1436-1444.
- Regan, John J., et al.; "Endoscopic Thoracic Fusion Cage;" *Atlas of Endoscopic Spine Surgery*; 1995; cover page and pp. 350-354.
- Fedder, Ira L., et al.; "Video-Assisted Spinal Surgery: Laboratory Protocol;" *General Principles of Thoracoscopy & Laparoscopy*; 1995; pp. 18-26.
- Cunningham, Bryan W., et al.; "Video-Assisted Thoracoscopic Surgery Versus Open Thoracotomy for Anterior Thoracic Spinal Fusion;" *SPINE*, vol. 23, No. 12; Jun. 15, 1998; pp. 1333-1340.
- Mooney, V., et al.; "Is Hydroxyapatite an Effective Bone Graft Substitute When New Bone Formation is Not Physically Stressed?" *Orthopaedic Transactions*, vol. 18, No. 3; 1994; cover page and pp. 848-849.
- Mooney, Vert, et al.; "Comparison of Hydroxyapatite Granules to Autogenous Bone Graft in Fusion Cages in a Goat Model;" *Surg. Neurol.*, vol. 49; 1998; pp. 628-634.
- Danek Medical, Inc.; "Orion Anterior Cervical Plate System Brochure;" 1994; 2 pages.
- Crock, H.V.; "Anterior Lumbar Interbody Fusion;" *Clinical Orthopaedics and Related Research*; 1982; 2 cover pages and pp. 157-163.
- Crock, H.V.; *A Short Practice of Spinal Surgery*; Second, revised edition; Springer-Verlag/Wien, New York; 1993; 352 pages.
- Kemp, H.B.S., et al.; "Anterior Fusion of the Spine for Infective Lesions in Adults;" *The Journal of Bone and Joint Surgery*; vol. 55B, No. 4; Nov. 1973, pp. 715-734.
- Acromed Acro-flex device; as advertised in *Spine*, vol. 18, No. 13, Oct. 1, 1993; 3 pages.
- Acromed Acro-flex device; as advertised in *Spine*, vol. 19, No. 2, Jan. 1994; 4 pages.
- Acromed Acro-flex device; as advertised in *Spine*, vol. 19, No. 3, Feb. 1994; 4 pages.

(56)

References Cited

OTHER PUBLICATIONS

- Berry et al.; "A Morphometric Study of Human Lumbar and Selected Thoracic Vertebrae," Study of Selected Vertebrae; pp. 362-367; (1986).
- Edeland, H.G.; "Suggestions for a Total Elasto-Dynamic Intervertebral Disc Prosthesis," Biomaterials, Medical Devices, and Artificial Organs; 9(1), cover page and pp. 65-73 (1981).
- Edeland, H.G.; "Some Additional Suggestions for an Intervertebral Disc Prosthesis," Journal of Biomedical Engineering, vol. 7, pp. 57-62; Jan. 1985.
- Grant, Pamela J. et al.; "Mapping the Structural Properties of the Lumbosacral Vertebral Endplates," SPINE; vol. 26; No. 8; pp. 889-896; 2001.
- Hall, Lance T. et al.; "Morphology of the Lumbar Vertebral Endplates," SPINE; Vol. 23; No. 14; pp. 1517-1523; 1998.
- Panjabi, Manohar M., et al.; "Human Lumbar Vertebrae Quantitative Three-Dimensional Anatomy," Spine; vol. 17, No. 3, 1992; pp. 299-306.
- Office Action from U.S. Appl. No. 12/655,178; mailed Aug. 11, 2011; 16 pages.
- Office Action from U.S. Appl. No. 12/655,178; mailed Mar. 9, 2011; 8 pages.
- Office Action from U.S. Appl. No. 13/306,583; mailed Jan. 19, 2012; 4 pages.
- Petition for Inter Partes Review of United States Patent No. 8,251,997 Pursuant to 35 U.S.C. §§ 311-319, 37 C.F.R. § 42; IPR 2013-00206; Mar. 22, 2013; 420 pages.
- Declaration of Dr. Paul McAfee, M.D., M.B.A.; IPR 2013-00206; Mar. 21, 2013; 106 pages.
- Corrected Petition for Inter Partes Review of United States Patent No. 8,251,997 Pursuant to 35 U.S.C. §§ 311-319, 37 C.F.R. § 42; IPR 2013-00206; Apr. 3, 2013; 65 pages.
- Warsaw's Preliminary Response; IPR2013-00206; Jun. 25, 2013; 281 pages.
- Decision—Institution of Inter Partes Review—37 C.F.R. § 42.108; IPR2013-00206; Sep. 23, 2013; 24 pages.
- Notice of Supplemental Evidence Under 37 C.F.R. § 42.64(b)(2); IPR2013-00206; Oct. 22, 2013; 136 pages.
- Warsaw's Patent Owner Response; IPR2013-00206; Dec. 20, 2013; 446 pages.
- Petition for Inter Partes Review of United States Patent No. 8,251,997 Pursuant to 35 U.S.C. §§ 311-319, 37 C.F.R. § 42; IPR 2013-00208; Mar. 22, 2013; 564 pages.
- Declaration of Dr. Paul McAfee, M.D., M.B.A.; IPR 2013-00208; Mar. 21, 2013; 109 pages.
- Corrected Petition for Inter Partes Review of United States Patent No. 8,251,997 Pursuant to 35 U.S.C. §§ 311-319, 37 C.F.R. § 42; IPR 2013-00208; Apr. 3, 2013; 65 pages.
- Warsaw's Preliminary Response; IPR 2013-00208; Jun. 25, 2013; 287 pages.
- Decision—Institution of Inter Partes Review—37 C.F.R. § 42.108; IPR2013-00208; Sep. 23, 2013; 20 pages.
- Notice of Supplemental Evidence Under 37 C.F.R. § 42.64(b)(2); IPR2013-00208; Oct. 22, 2013; 136 pages.
- Warsaw's Patent Owner Response; IPR2013-00208; Dec. 20, 2013; 450 pages.
- Baulot et al.; "Adjuvant Anterior Spinal Via Thorsacopy," Lyon Chirurgical, vol. 90, No. 5, pp. 347-351; 1994.
- Rosenthal et al.; "Removal of a Protruded Thoracic Disc Using Microsurgical Endoscopy. A New Technique," Spine, 19(9):1087-1091 (1994).
- Leu et al.; "Percutaneous Fusion of the Lumbar Spine: A Promising Technique," Spine, vol. 6, No. 3, 2 cover pages and pp. 593-604; Sep. 1992.
- Petitioner's Reply to Patent Owner's Response with Exhibits; IPR2013-00206; Mar. 11, 2014; 3, 117 pages.
- Petitioner's Reply to Patent Owner's Response with Exhibits; IPR2013-00208; Mar. 11, 2014; 3, 251 pages.
- Affidavit of Henry Vernon Crock, Exhibit 1019 of Petitioner's Reply to Patent Owner's Response; IPR2013-00208; Sep. 11, 2012; 31 pages.
- Brief of Plaintiff/Counterclaim Defendant-Appellant Warsaw Orthopedic, Inc. and Counterclaim Defendant Appellant Medtronic Sofamor Danek USA, Inc.; *Warsaw Orthopedic, Inc. v. NuVasive, Inc.*; No. 08-CC-1512 MMA (MDD) (S.D. Cal.); Nov. 20, 2013; 184 pages.
- Declaration of Dr. John W. Brantigan, M.D.; IPR2013-00206 and IPR2013-00208; Mar. 10, 2014; 14 pages.
- Declaration of Dr. Robert E. Jacobson, M.D.; IPR2013-00206 and IPR2013-00208; Mar. 10, 2014; 12 pages.
- Declaration of Patrick Miles; IPR2013-00206 and IPR 2013-00208; Mar. 10, 2014; 10 pages.
- Second Declaration of Dr. Paul McAfee, M.D., M.B.A.; Mar. 11, 2014; 129 pages.
- Medtronic Corporate Structure, DTX-5651 from *Warsaw Orthopedics, Inc. v. NuVasive, Inc.*, No. 08-CV-1512 MMA (MDD) (S.D. Cal.); Exhibit 1046 from IPR2013-00206 and IPR2013-00208; 1 page.
- NuVasive's Opening Brief, from *Warsaw Orthopedics, Inc. v. NuVasive, Inc.*, No. 08-CV-1512 MMA (MDD) (S.D. Cal.); Exhibit 1069 from IPR2013-00206 and IPR2013-00208; 84 pages.
- Order Granting Joint Motion for Dismissal; *Warsaw Orthopedic, Inc. v. NuVasive, Inc.*; Case No. 3:08-cv-01512; Jul. 12, 2013; 1 page.
- Page 29 of NUVASIVE 1003, hand-annotated by Dr. Sachs during Feb. 25, 2014 Deposition; Exhibit 1027 of IPR2013-00206 and IPR2013-00208; 1 page.
- Transcript of Deposition of Dr. Barton Sachs, Conducted Feb. 25, 2014; Exhibit 1028 in IPR2013-00206 and IPR2013-00208; 216 pages.
- Transcript of Deposition of Dr. Paul McAfee, M.D., M.B.A., Conducted Dec. 6-7, 2013; Exhibit 1040 in IPR2013-00206 and IPR2013-00208; 87 pages.
- Transcript of Trial Testimony of Alexis Lukianov, Conducted Sep. 1, 2011 from *Warsaw Orthopedic, Inc. v. NuVasive, Inc.*, No. 08-CV-1512 MMA (MDD) (S.D. Cal.); Exhibit 1044 of IPR2013-00206 and 2013-00208; 96 pages.
- Transcript of Trial Testimony of Dr. Gary Michelson, Conducted Aug. 30, 2011 from *Warsaw Orthopedic, Inc. v. NuVasive, Inc.*, No. 08-CV-1512 MMA (MDD) (S.D. Cal.); Exhibit 1043 of IPR2013-00206 and 2013-00208; 200 pages.
- Transcript of Trial Testimony of Dr. John Brantigan, Conducted Sep. 11, 2011 from *Warsaw Orthopedic, Inc. v. NuVasive, Inc.*, No. 08-CV-1512 MMA (MDD) (S.D. Cal.); Exhibit 1041 of IPR2013-00206 and 2013-00208; 116 pages.
- Transcript of Trial Testimony of Patrick Miles, Conducted Aug. 31, 2011 from *Warsaw Orthopedic, Inc. v. NuVasive, Inc.*, No. 08-CV-1512 MMA (MDD) (S.D. Cal.); Exhibit 1045 of IPR2013-00206 and 2013-00208; 107 pages.
- Crock et al., "A Short Practice of Spinal Surgery," Second, revised edition, Springer-Verlag Wien New York, © 1993, 354 pages.
- Crock et al., "Anterior Lumbar Interbody Fusion-Indications for its Use and Notes on Surgical Technique," Clinical Orthopedics and Related Research, No. 165; May 1992; 19 pages.
- Crock et al., "Observations on the Management of Failed Spinal Operations," The Journal of Bone and Joint Surgery, vol. 58-B, No. 2, May 1976, Exhibit 1022, 8 pages.
- Crock et al., "Practice of Spinal Surgery," Revised First edition, Springer-Verlag, Wien New York, © 1983, 345 pages.
- Deukmedjian, Armen R.; Bowel and Vascular Injury Following 13,000 Lateral Interbody Fusions; SMISS 2013 Annual Conference; Exhibit 1050 from IPR2013-00206 and IPR2013-00208; 2 pages.
- Erhardt, Jane; Lateral Interbody Fusion Training comes to Birmingham; Birmingham Medical News; accessed Apr. 24, 2013; Exhibit 1052 from IPR2013-00206 and IPR2013-00208; 2 pages.
- Kanter and Friedman; Percutaneous Discectomy: An Anatomical Study; Exhibit 1037 in IPR2013-00206 and IPR2013-00208; Neurosurgery, vol. 16, No. 2; 1985; 7 pages.
- Malham, Gregory M.; Clinical Outcome and Fusion Rates after the First 30 Extreme Lateral Interbody Fusions; The Scientific World Journal; vol. 2012; Exhibit 1049 for IPR2013-00206 and IPR2013-00208; 8 pages.

(56)

References Cited

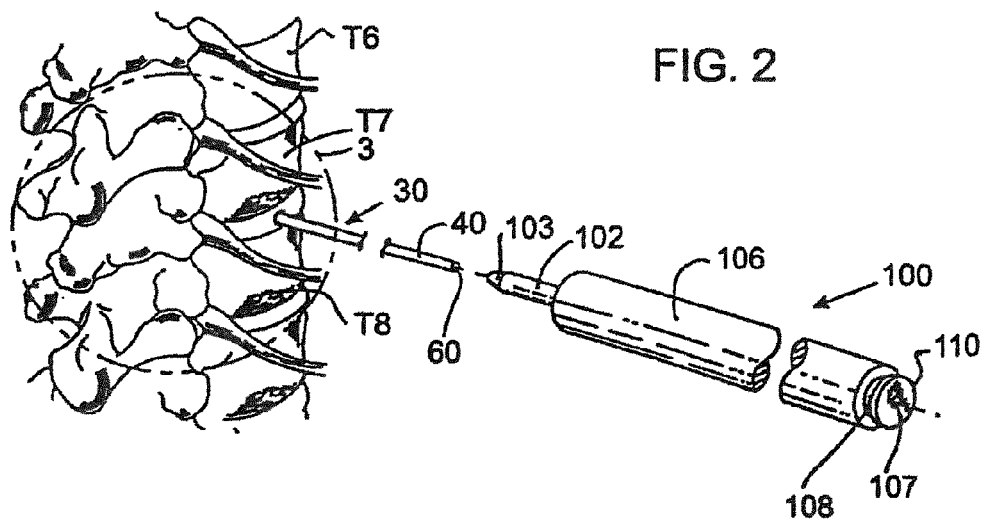
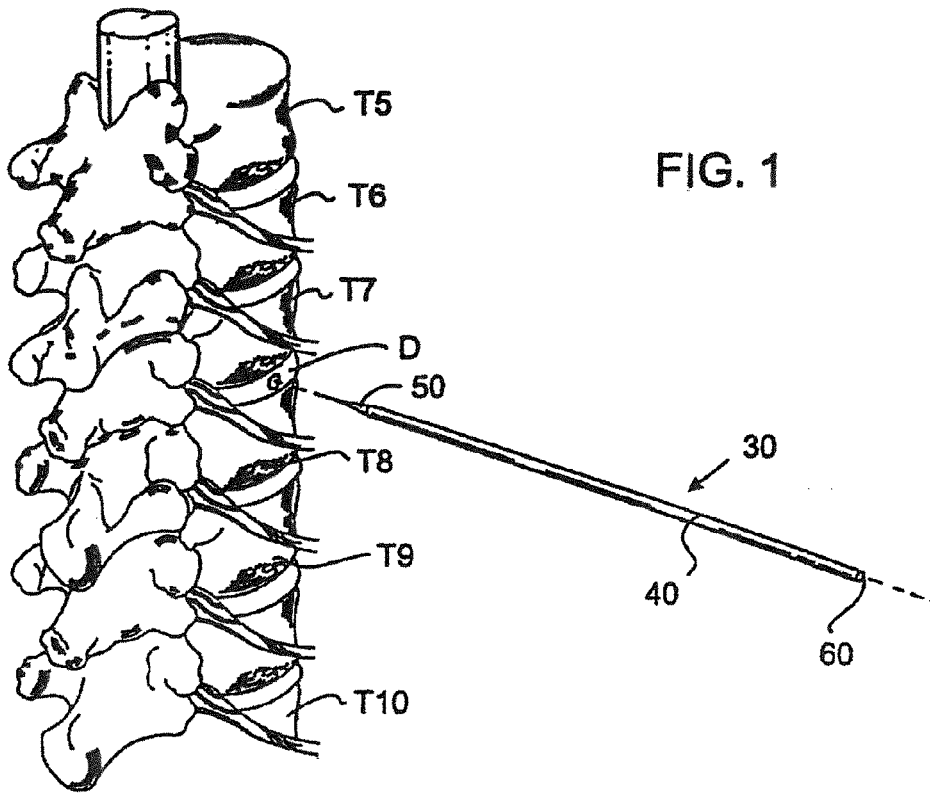
OTHER PUBLICATIONS

Medtronic, Direct Lateral Interbody Fusion, DLIF Surgical Technique, brochure excerpt; Exhibit 1055 for IPR2013-00206 and IPR2013-00208; 3 pages.

Medtronic, DLIF Marketing Plan, DLIF Is For Every Surgeon, PX1056 from *Warsaw Orthopedic, Inc. v. NuVasive, Inc.* No. 08-CV-1512 MMA (MDD) (S.D. Cal.); Exhibit 1053 for IPR2013-00206 and IPR2013-00208; 19 pages.

Moro; An Anatomic Study of the Lumbar Plexus with Respect to Retroperitoneal Endoscopic Surgery; SPINE vol. 28; 2003; 6 pages.
Pieper, Lynn C.; Bending the Paradigm, A White Paper on the Spine; Thomas Weisel Partners; Jul. 12, 2005; Exhibit 1051 from IPR2013-00206 and 2013-00208; 28 pages.

Rodgers, W. Blake; Experience and Early Results with a Minimally Invasive Technique for Anterior Column Support Through eXtreme Lateral Interbody Fusion (XLIF®); US Musculoskeletal Review; 2007; Exhibit 1053 from IPR2013-00206 and IPR2013-00208; 5 pages.



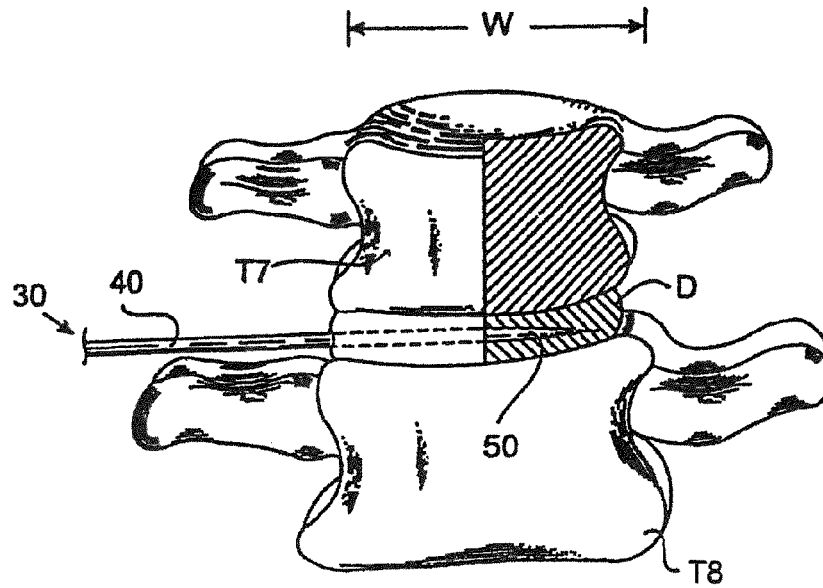


FIG. 3

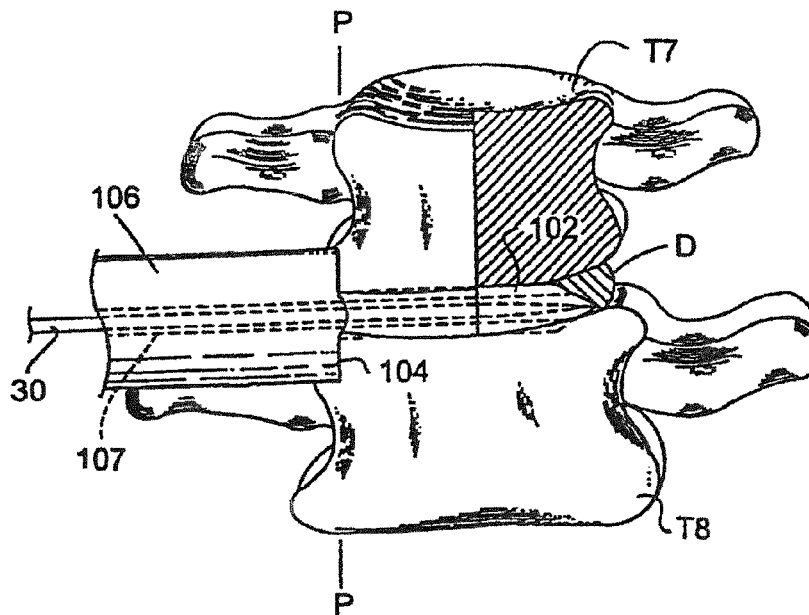


FIG. 4

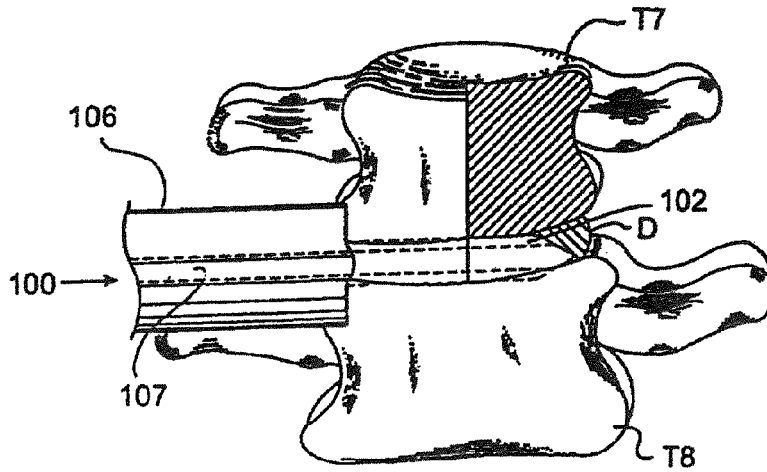


FIG. 5

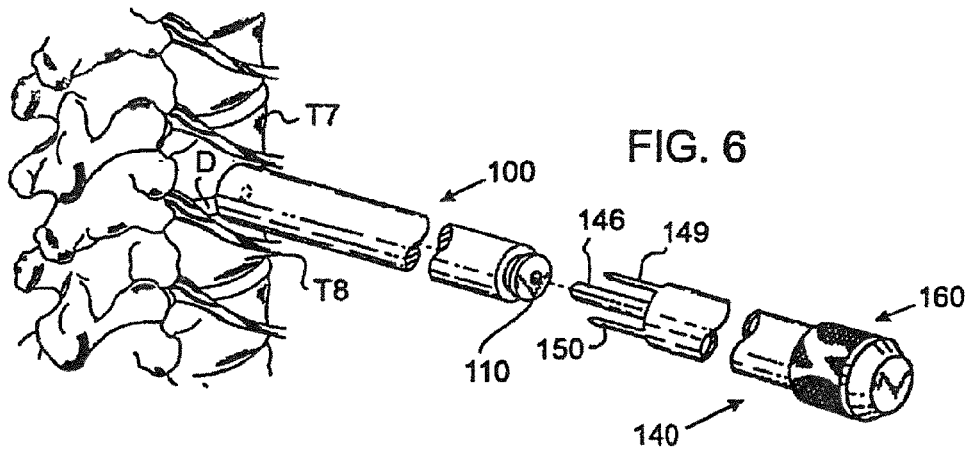


FIG. 6

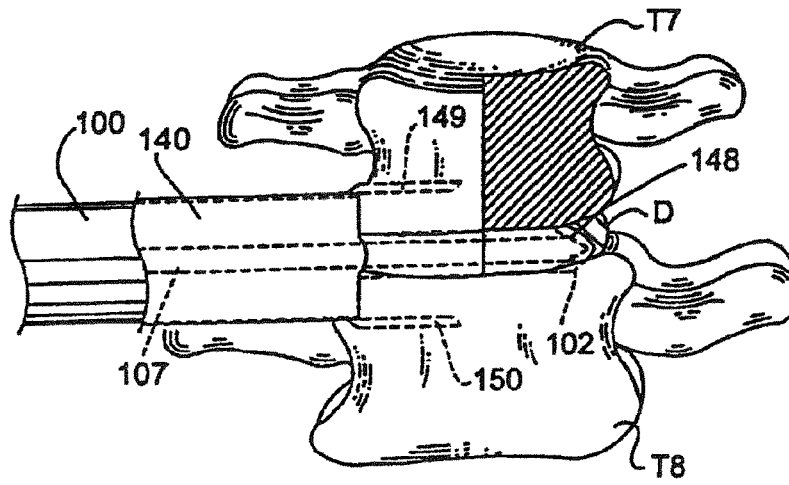


FIG. 7

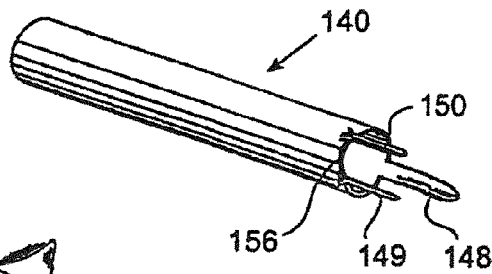


FIG. 7A

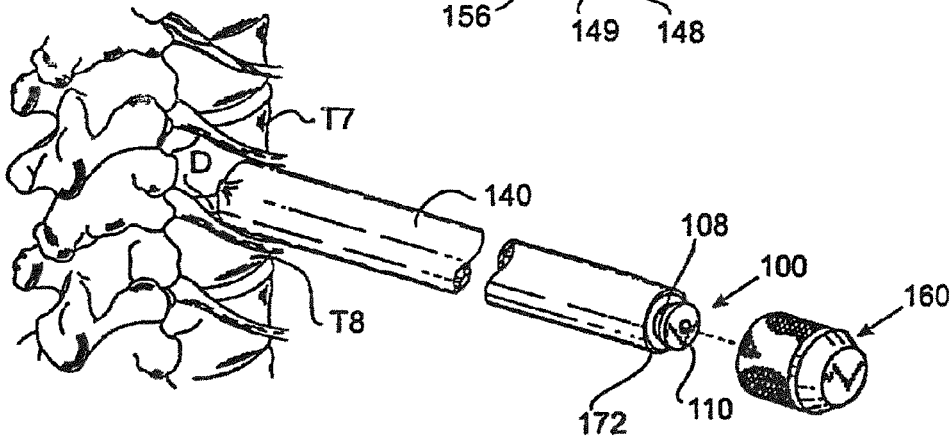


FIG. 8

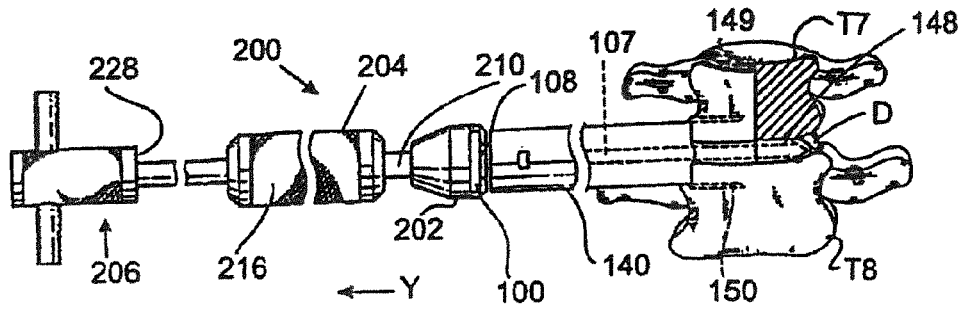


FIG. 9

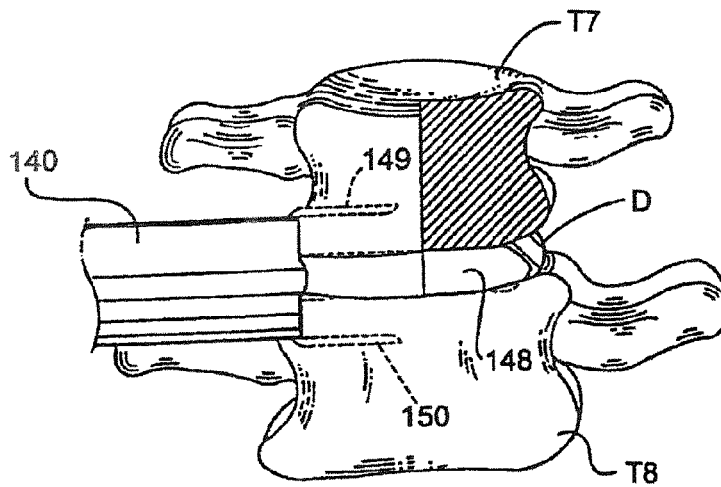


FIG. 10

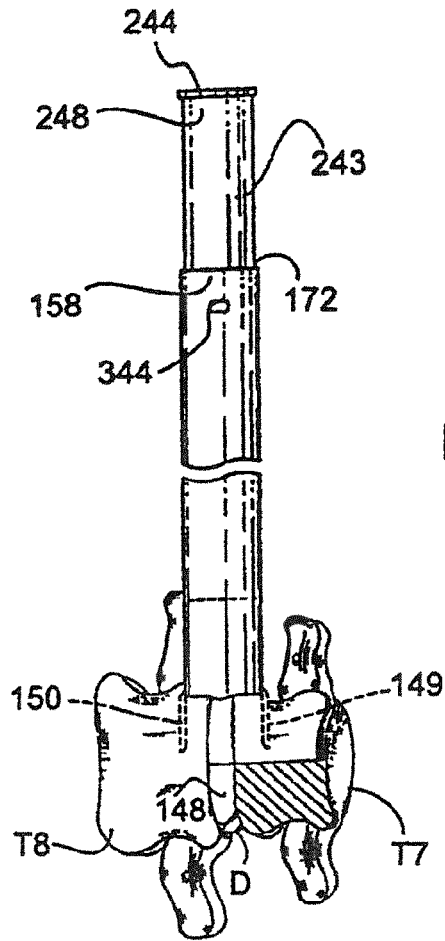


FIG. 11

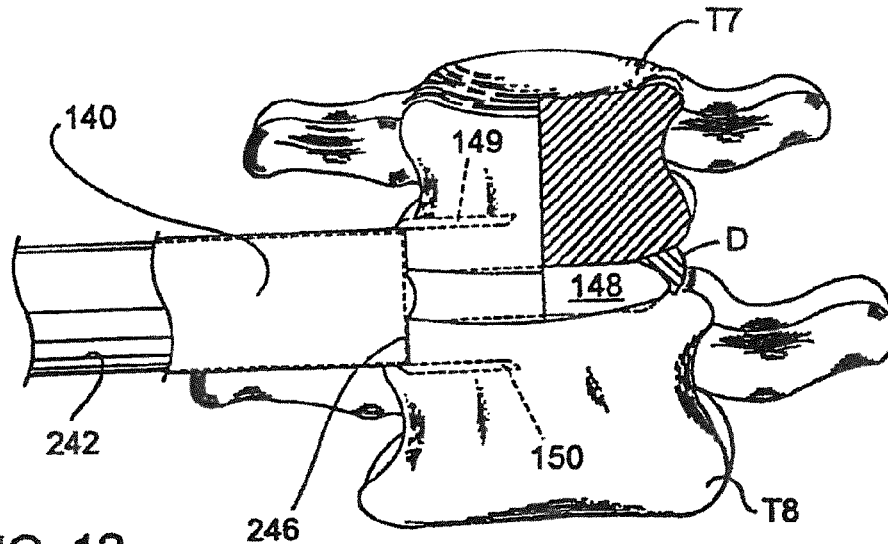


FIG. 12

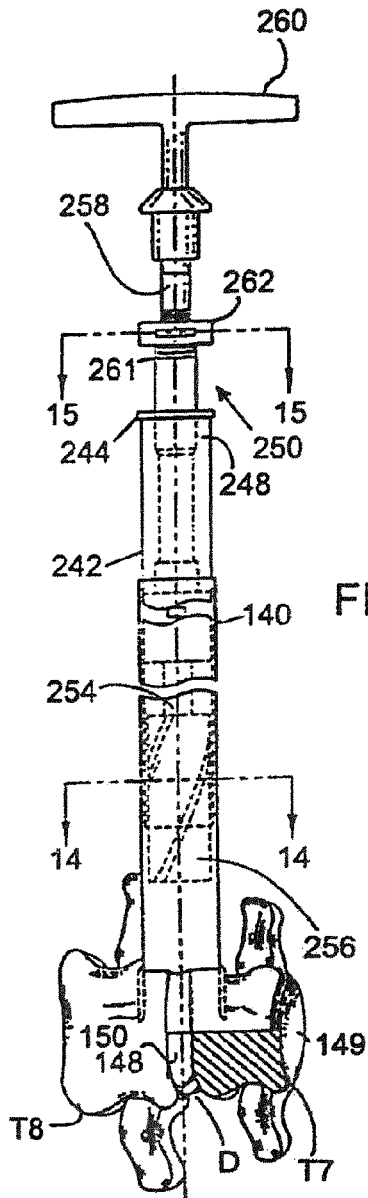


FIG. 13

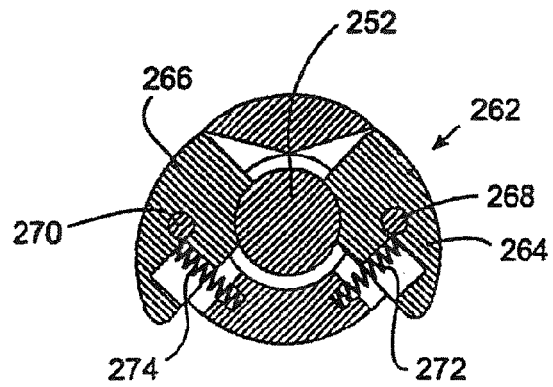


FIG. 15

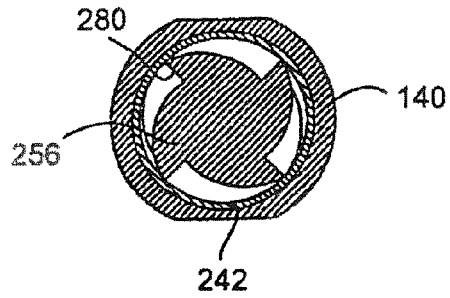
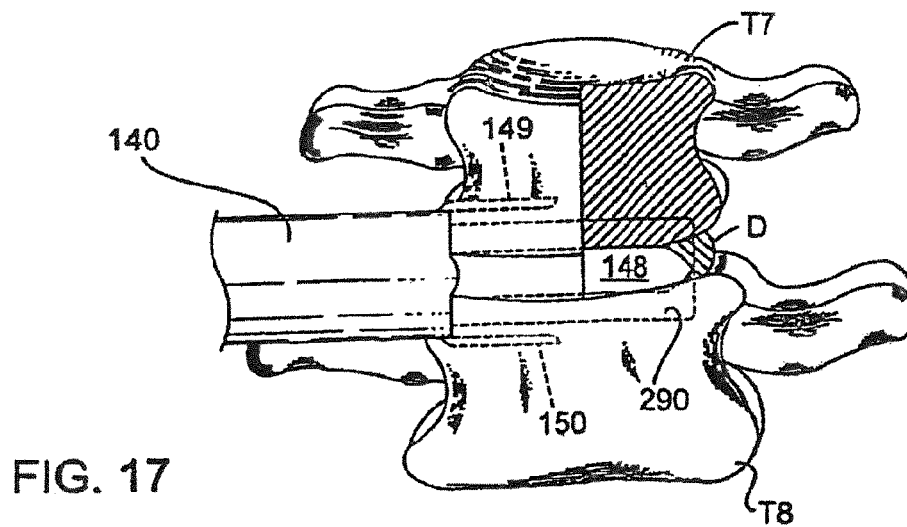
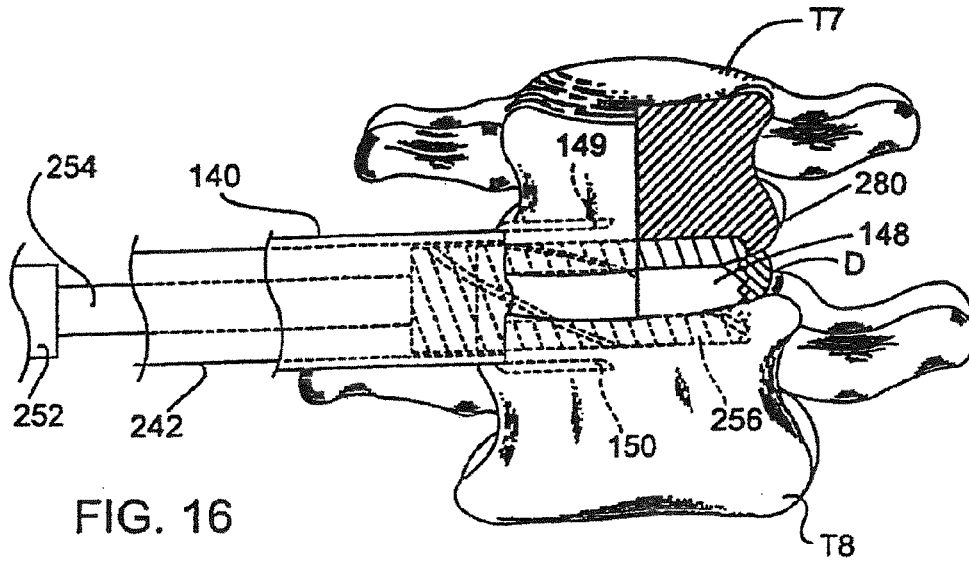


FIG. 14



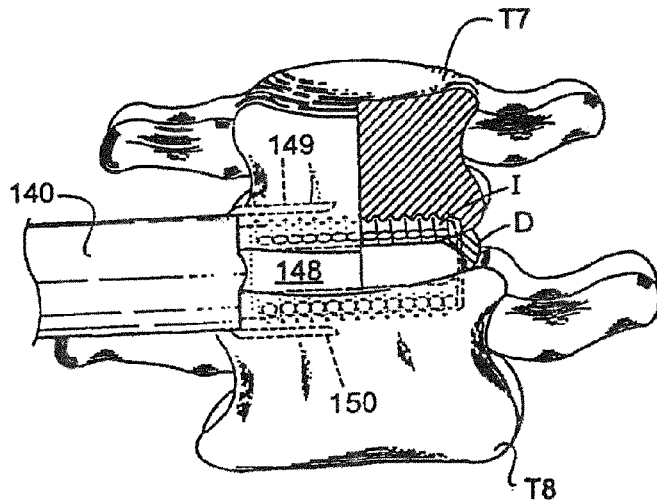


FIG. 19

FIG. 18

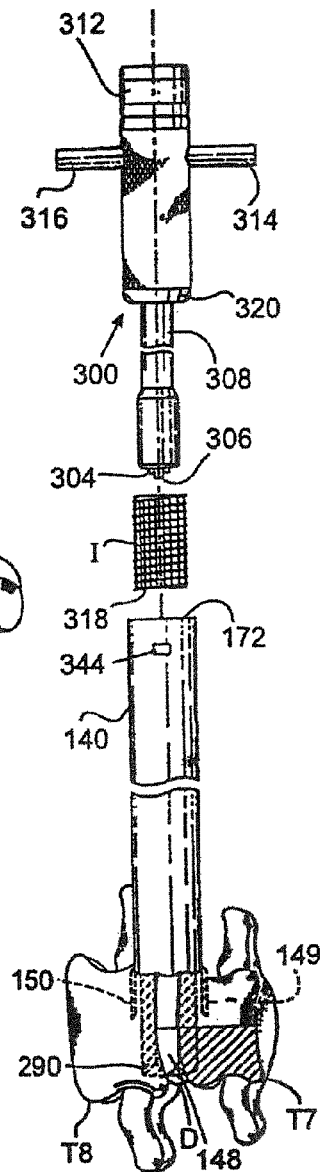


FIG. 21

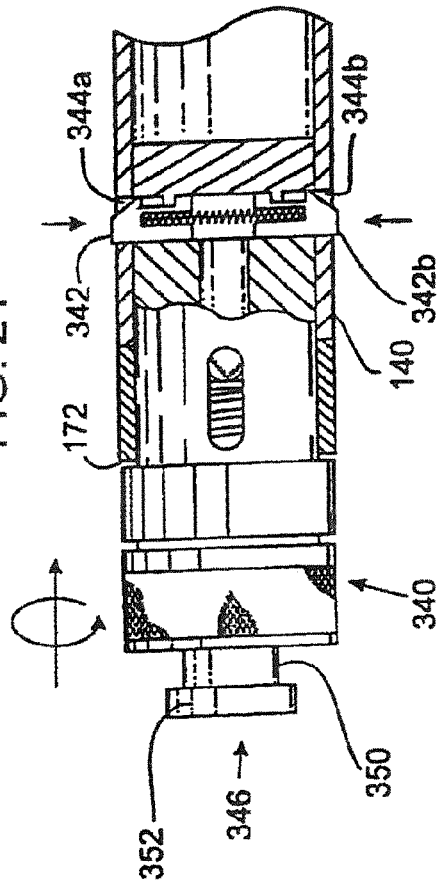
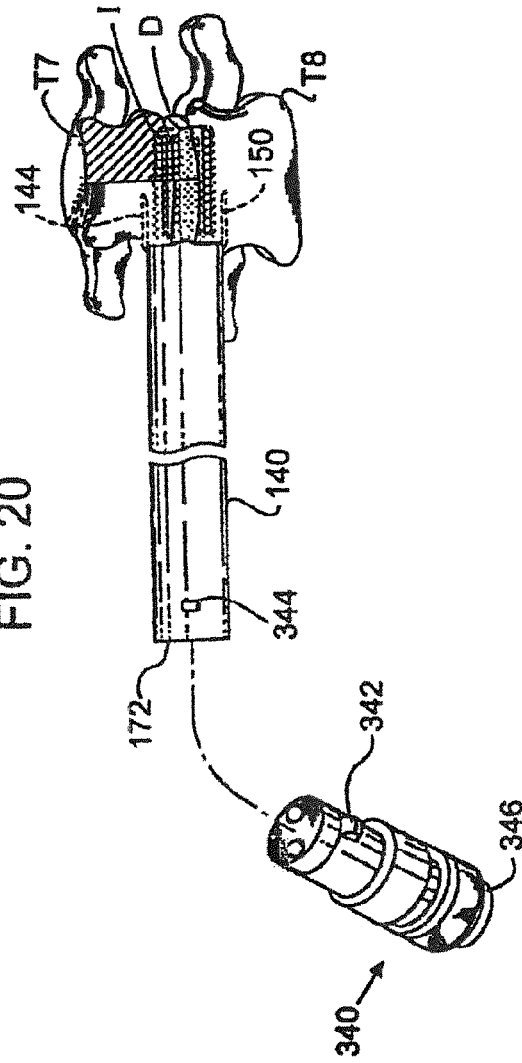


FIG. 20



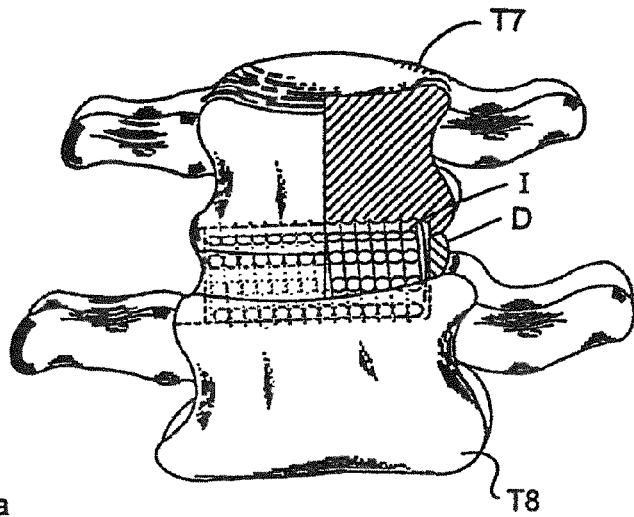
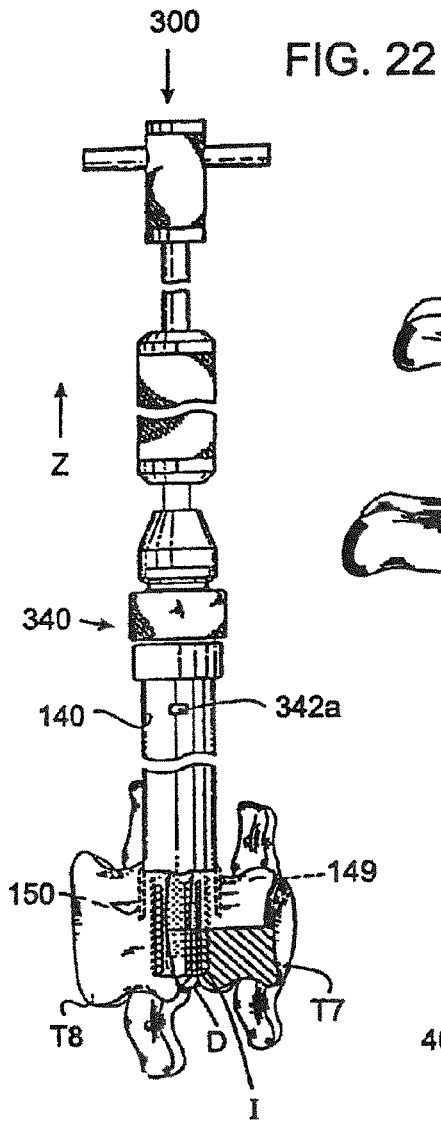


FIG. 23

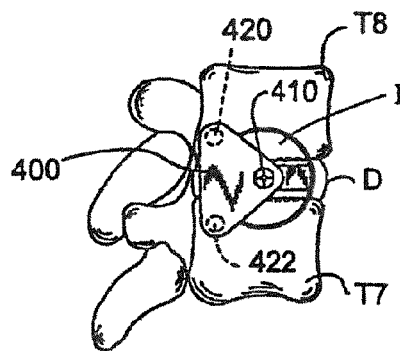


FIG. 24

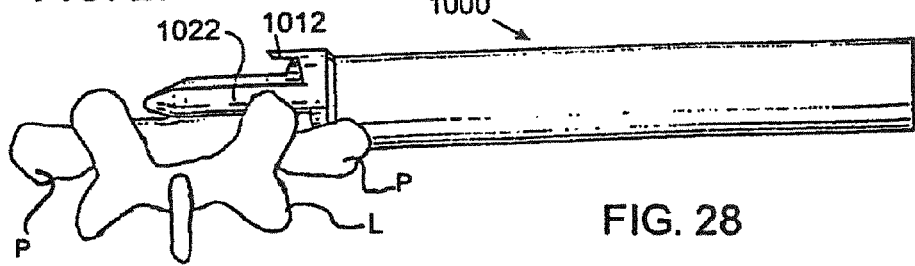
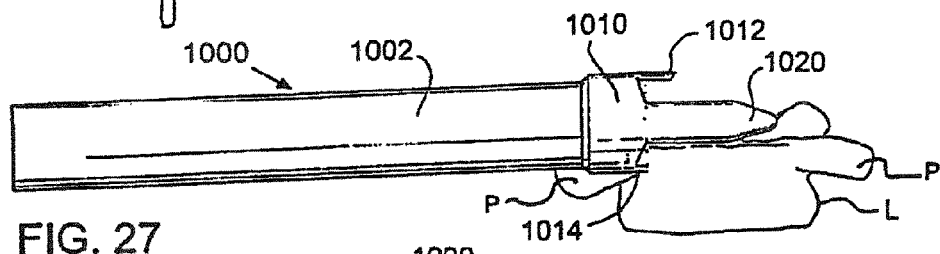
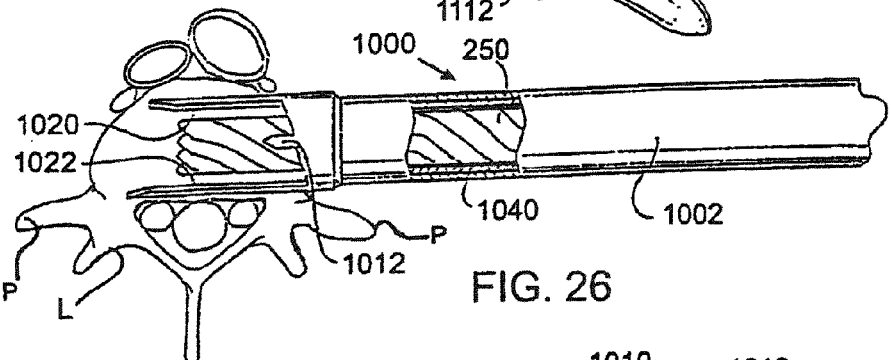
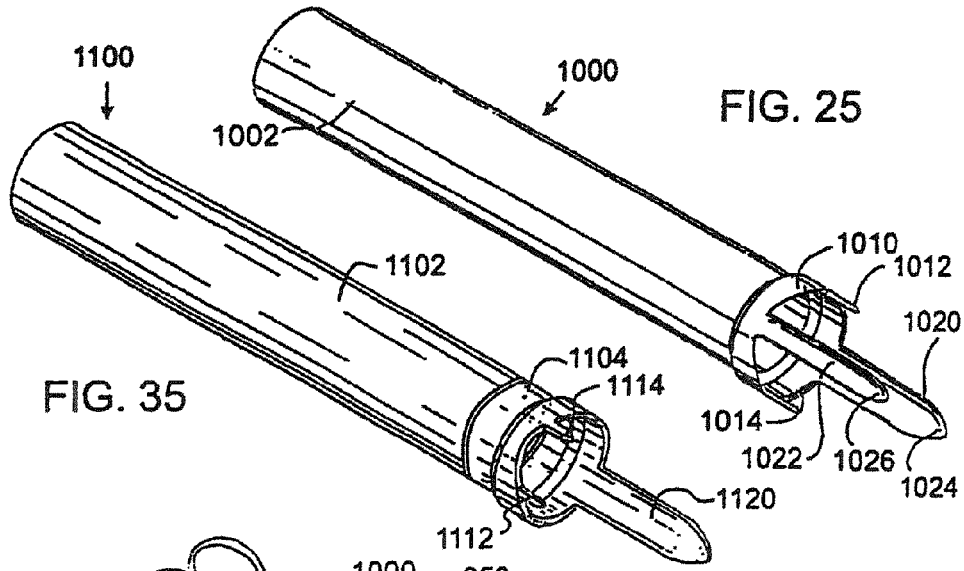


FIG. 30A

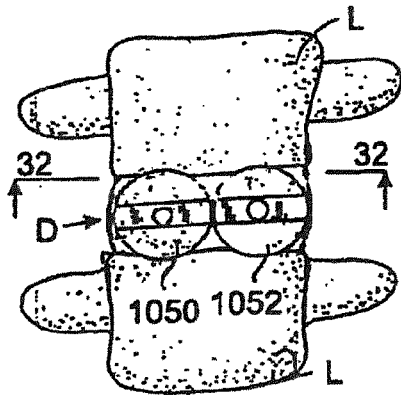
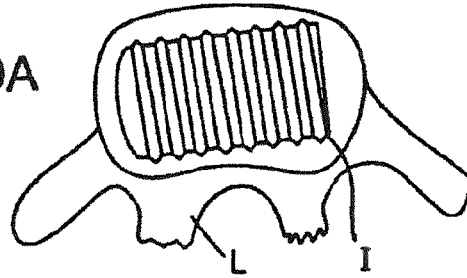


FIG. 31

FIG. 29

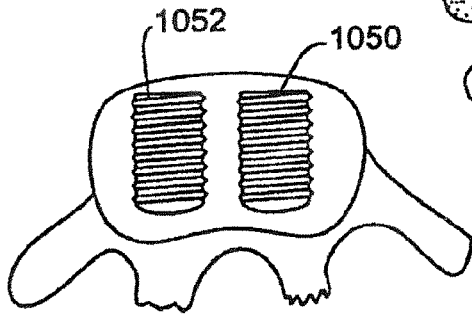
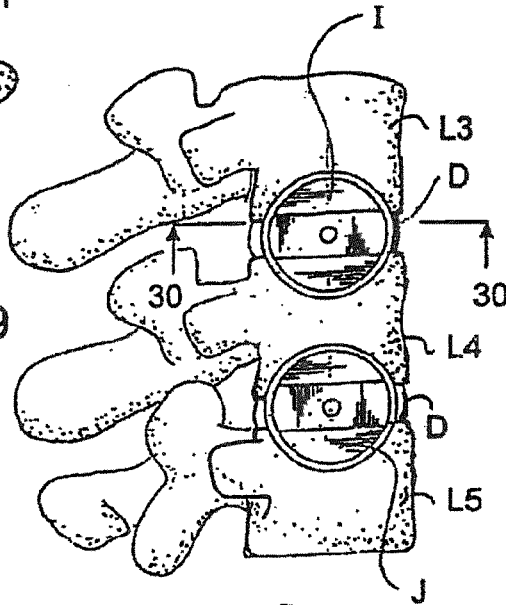


FIG. 32

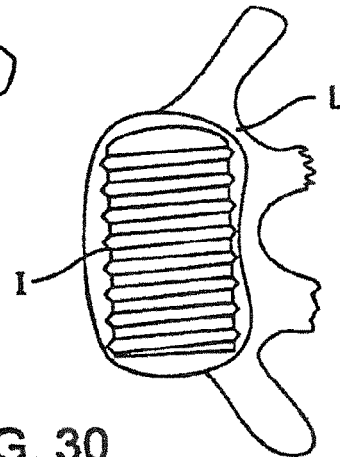


FIG. 30

FIG. 33

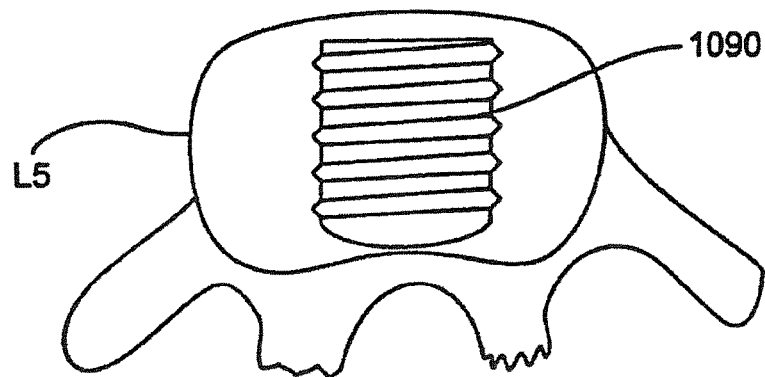
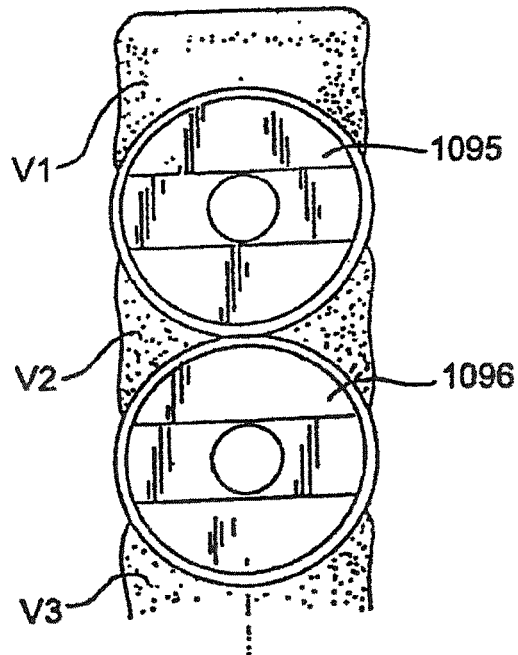


FIG. 34



SPINAL IMPLANT AND INSTRUMENTS

This application is a continuation of U.S. application Ser. No. 13/306,583, filed Nov. 29, 2011 (now U.S. Pat. No. 8,251,997); which is a continuation of U.S. application Ser. No. 10/371,757, filed Feb. 21, 2003 (now U.S. Pat. No. 8,066,705); which is a continuation of U.S. application Ser. No. 08/480,461, filed Jun. 7, 1995 (now U.S. Pat. No. 7,491,205); which is a divisional of U.S. application Ser. No. 08/394,836, filed Feb. 27, 1995 (now U.S. Pat. No. 5,772,661); all of which are incorporated herein by reference.

BACKGROUND OF THE INVENTION**1. Field of the Invention**

The present invention relates generally to instrumentation and methods of performing surgical procedures on the human thoracic and lumbar spine along the lateral aspect of the spine and from a true lateral or anterolateral approach, and specifically to the surgical correction of thoracic and lumbar disc disease and spinal deformities where concomitant fusion is desired.

2. Description of the Prior Art

As regards the thoracic spine, it may be afflicted with a variety of ailments, some so severe as to require surgical intervention. A disc herniation may compress the spinal cord and/or nerve roots and cause pain, loss of function, and even complete paralysis of the legs with loss of bowel and bladder control. The correct treatment for such conditions is the removal of the offending discal tissue. However, this has proven both difficult and quite dangerous. When the discs of the thoracic spine are approached posteriorly (from behind) the spinal cord is in the way. To approach the same herniation anteriorly (from the front) requires the very formidable procedure of thoracotomy (cutting open the chest) and moving the heart and lungs out of the way.

procedures from a lateral approach to the spine (from the side) using fiber optic viewing instruments called thoroscopes and numerous small surgical openings through the chest wall (portals) through which various surgical instruments, such as burrs, rongeurs and curettes, may be placed to remove these disc herniations while avoiding formal thoracotomy. Because the discs are very narrow in the thoracic spine and the surgeon is approaching the spine laterally, there is very little space in which to work as the disc is entered in order to get to the back of the disc space. Therefore, the amount of disc removal may be limited. In the alternative, the surgeon might remove the pedicle to gain access to the spinal canal risking further weakening of the already diseased area.

Sometimes, for a variety of reasons including the removal of disc material, the thoracic spine may become unstable (too much motion) at any given level. Historically, this has been treated by fusion, the joining together permanently of the unstable vertebrae via a bridge of bone so as to eliminate all motion at that location. Fusions about the thoracic spine have been performed either anteriorly or posteriorly, either procedure being a rather large surgical undertaking.

Stability of the spine is required for fusion to occur. For this reason, and for the purpose of correcting spinal deformity, it is often necessary to use hardware to rigidly internally fixate (stabilize) the spine. To date, the only benefit the use of the thoracotomy has provided in this regard is to allow the previous thoracotomy incision to be somewhat smaller.

So to date the following problems remain even utilizing the most recent technology as regards the surgical treatment of thoracic disc disease:

Firstly, the working space within the disc itself to access the herniation which is more posterior is quite limited.

Secondly, multiple or long incisions through the chest are still required.

Thirdly, when fusion is required a major surgical undertaking with its considerable risks is required.

Fourthly, the installation of hardware affixed to the spine still requires a thoracotomy, albeit a smaller one if visualization is assisted via the thoroscope.

Fifthly, when, as is often the case, the patient requires all three, that is, discectomy (excision, in part or whole, of an intervertebral disc), fusion, and the application of hardware to the spine, those procedures are performed as serially (one after the other) combined surgical procedures with added surgical times, complications, morbidities, and mortalities.

As regards to the human lumbar spine, the treatment of discal disease with neural compression has generally been from a posterior (from behind) approach. This is sensible as the lumbar discs are generally quite large and it is only those protrusions occurring posteriorly which compress the neural elements which are themselves posterior to the discs. These posterior approaches have included both true posterior approaches and posterolateral approaches to the discs. Further, such approaches have been made via open incisions or through percutaneous stab wounds. In the latter case, instruments are inserted through the stab wounds and monitored by the use of radiographic imaging or the use of an endoscopic viewing device. While it is possible to also decompress a posterior disc herniation in the lumbar spine from an anterior approach (from the front) doing so requires the removal of a very substantial portion or all of the disc material in the front and mid portions of the disc thus leaving that disc incompetent and that spinal segment generally unstable. Therefore, such an anterior approach to the lumbar spine has been reserved for those instances where a fusion is to be performed in conjunction with, and following such a disc removal.

As regards to fusion, the application of bone or bone like substances between bones to induce bony bridging, such procedures have been performed outside the vertebral bodies and/or between the vertebral bodies. The latter being known as an interbody fusion. Such interbody fusions have been performed from posterior, posterolateral and anterior. The adjective applying specifically to the direction from which the bone grafts enter the intervertebral space. Interbody fusion from the posterior approach while still in use has been associated with significant complications generally related to the fact that the delicate dural sac and the spine nerves cover the back of the disc space and are thus clearly in harms way with such an approach. The posterolateral approach has generally been utilized as a compliment to percutaneous discectomy and has consisted of pushing tiny fragments of morsalized bone down through a tube and into the disc space.

Anterior interbody spinal fusion is performed from a straight anterior position as regards the path of entry of the fusion material into the intervertebral space. Such an anterior position is achieved in one of two ways. First, by a straight anterior approach which requires that the peritoneal cavity, which contains the intestines and other organs, be punctured twice, once through the front and once through the back on the way to the front of the spine; or secondly, by starting on the front of the abdomen off to one side and dissecting behind the peritoneal cavity on the way to the front of the spine. Regardless of which approach to the front of the spine is used, and apart from the obvious dangers related to the dense anatomy and vital structures in that area, there are at least two major problems specific to the anterior interbody fusion angle of implant insertion itself. First, generally at the L₄ L₅ disc, the

great iliac vessels bifurcate from the inferior vena cava lie in close apposition to, and, covering that disc space making fusion from the front both difficult and dangerous. Secondly, anterior fusions have generally been done by filling the disc space with bone or by drilling across the disc space and then filling those holes with cylindrical implants. As presently practiced, the preferred method of filling the disc space consists of placing a ring of allograft (bone not from the patient) femur into that disc space. An attempt to get good fill of the disc space places the sympathetic nerves along the sides of the disc at great risk. Alternatively, when the dowel technique is used, because of the short path from the front of the vertebrae to the back and because of the height of the disc as compared to the width of the spine, only a portion of the cylindrical implant or implants actually engages the vertebrae, thus, compromising the support provided to the vertebrae and the area of contact provided for the fusion to occur.

There is therefore, in regard to the lumbar spine, a need for a new method and means for achieving interbody fusion which method avoids the problems associated with all prior methods, and which have included, but are not limited to, nerve damage when performed posteriorly, or the need to mobilize the great vessels when performed anteriorly. Further, the size of the implants are limited by the dural sac posteriorly, and the width of the spine and the delicate vital structures therewith associated anteriorly. An improved method and means for interbody fusion should provide for optimal fill of the interspace without endangering the associated structures and allow for the optimal area of contact between the implant or implants and the vertebrae to be fused.

SUMMARY OF THE INVENTION

The present invention is directed to methods and instrumentation for performing surgery on the spine along its lateral aspect (side) and generally by a lateral or an anterolateral surgical approach, such that the instruments enter the body from an approach that is other than posterior and make contact with the spine along its lateral aspect. The present invention provides for the entire surgical procedure to be performed through a relatively small incision and may be performed in either the thoracic or lumbar spine.

In the preferred embodiment, the instrumentation of the present invention comprises a guide pin, a distractor, an extended outer sleeve, an inner sleeve and drill adjustable for depth and with a depth limiting means. The distractor of the present invention is used for initially distracting (spacing apart) and realigning adjacent vertebrae of the spine and also functions as an alignment rod for inserting the extended outer sleeve. The distractor is placed at the affected disc space between adjacent vertebrae through a small incision in the body. For example, for surgery in the thoracic spine, a small incision in the chest cavity of the patient is made from a lateral approach to the thoracic spine. For surgery in the lumbar spine a small incision may be made in the abdominal wall of the patient. The insertion of the distractor may be guided by a guide pin previously inserted in the disc space and visually monitored for proper orientation and placement by the surgeon either indirectly through an image intensifier, or directly through a thoroscope or by direct vision.

The extended outer sleeve in the preferred embodiment is a hollow tubular member having an extension member that is inserted in the disc space and is capable of distracting and aligning the two adjacent vertebrae from the lateral aspect of the spine. In the preferred embodiment, the extended outer sleeve has a pair of prongs for fixedly engaging the two adjacent vertebrae and further stabilizing the adjacent verte-

brae. With the distractor in place in the affected disc space, the extended outer sleeve is placed over the distractor, and the distractor guides and aligns the insertion of the extended outer sleeve. As the extended outer sleeve is seated, the extension member becomes inserted in the disc space and the prongs engage the outside wall of the adjacent vertebrae. The distractor is then removed and the extended outer sleeve maintains the proper distraction and alignment of the adjacent vertebrae. The remainder of the surgical procedure consisting of disc removal, fusion, and rigid internal stabilization may all be performed via the closed space within the extended outer sleeve. Alternatively, a convertible extended outer sleeve comprising a hollow tubular member that can be dissociated from its insertion end which remains engaged to the vertebrae to maintain distraction and alignment, may be used where it is desired to have direct visualization and access to the surgical site for at least a portion of the surgical procedure.

The drilling out and the subsequent removal of a rather significant mass of the disc itself may be curative in relieving a posterior disc herniation as the mass of tissue pushing from within the disc outward and posteriorly is thus removed. Further, the distractor in driving the vertebrae apart exerts significant tension on the walls of the disc which are pulled straight also tending to correct any disc herniation. Finally, since the hole drilled across the disc space is quite close to the posterior borders of the vertebrae, it makes the removal of any persisting posterior disc herniation quite simple. With the drill removed and the extended outer sleeve cleaned out by irrigation and suction, one can then place the endoscope directly down the outer sleeve and into the large space created by the removal of the disc, and in the preferred method, the adjacent vertebral bone, and then remove any remaining fragments of disc using conventional hand held instruments such as rongeurs and curettes under endoscopic visualization.

When it is desirable to remove posterior disc material, then a specialized modification of the extended outer sleeve having at its distal end a spine engaging portion comprising one anterior extension and posteriorly two prongs one each above and below the disc space may be used. Further, such an extended outer sleeve may be configured such that the great length of the hollow tubular portion of the extended outer sleeve is detachable, as by unscrewing, from the distal working end such that when uncoupled the distal end may remain in place maintaining distraction even after the hole is drilled and thus allowing the surgeon to work through that remaining portion of the extended outer sleeve and the space provided by the drilling to remove the posterior disc material under direct vision. For those instances where the surgeon has elected to access the spine through a more standard incision and is viewing the spine directly, the surgeon is then able to continue to operate through the distal spine engaging portion of the extended outer sleeve and still maintain the distraction and alignment of the vertebrae.

A spinal implant may then be inserted through the extended outer sleeve and into the hole in the adjacent vertebrae. The extended outer sleeve is removed once the spinal implant has been inserted. If the spinal implant being inserted has surface projections such as a thread, then an inner sleeve is inserted in the extended outer sleeve prior to drilling to accommodate the height of the projections or as in the case of a thread, the difference between the major and minor diameters of the implant.

To further stabilize the spinal implant, a staple alignment rod may be mechanically coupled to the spinal implant prior to the removal of the extended outer sleeve. The extended outer sleeve is then removed and a staple having spine engaging prongs is inserted via the alignment rod and is coupled to

5

the spinal implant. The alignment rod is removed and replaced with a locking screw to secure the staple to the spinal implant.

While the preferred method utilizing a cylindrical implant and involving the removal of some bone from each of the adjacent vertebrae in preparation for fusion has been described, it is understood that the distractor and sleeve could as well be rectangular and the drill supplemented with or replaced by a box chisel, or other chisel so as to produce a rectangular fusion site or similarly any of a variety of shapes. Further, it is understood that the outer sleeve could be dimensioned so as to confine the removal of the disc material, regardless of the means, to the area between the adjacent vertebrae rather than providing for the removal of the bone as well.

OBJECTS OF THE PRESENT INVENTION

It is an object of the present invention to provide instrumentation for performing surgery on the thoracic spine through the chest cavity from a lateral approach to the spine.

It is another object of the present invention to provide a method of performing surgery on the thoracic spine through the chest cavity from a lateral approach to the spine that is safer, more effective and faster than previously possible.

It is a further object of the present invention to provide instrumentation and method of inserting a spinal implant in a hole drilled across the disc space and into two adjacent vertebrae of the thoracic spine through the chest cavity from a lateral approach to the spine.

It is another object of the present invention to provide for a method and instrumentation for performing a thoracic discectomy, an interbody fusion, and rigid internal fixation of the spine through the chest cavity from a lateral approach and all as a single integrated procedure.

It is yet another object of the present invention to provide for a method and instrumentation for performing a lumbar fusion from the lateral aspect of the spine.

It is further another object of the present invention to provide for a method and instrumentation for performing a lumbar fusion and spinal canal decompression from the lateral aspect of the spine.

It is further still another object of the present invention to provide for a method and instrumentation for performing a lumbar fusion, decompressive discectomy, and a rigid internal fixation of the spine and all as a single integrated surgical procedure.

It is further yet another object of the present invention to provide for a method and instrumentation to achieve discectomy, fusion and interbody stabilization of the lumbar without the need to mobilize the great vessels from the front of the vertebral bodies.

These and other objects of the present invention will become apparent from a review of the accompanying drawings and the detailed description of the drawings.

BRIEF DESCRIPTION OF THE DRAWINGS

FIG. 1 is a rear perspective view of a segment of the thoracic spine with the guide pin of the present invention about to be inserted from a lateral approach to the thoracic spine into the disc space between two adjacent vertebrae.

FIG. 2 is a rear perspective view of a segment of the thoracic spine with the guide pin inserted in the disc space between two adjacent vertebrae and the distractor of the present invention about to be placed over the guide pin.

6

FIG. 3 is an enlarged front elevational view of a segment of the thoracic spine along line 3 of FIG. 2 having a portion of the top vertebrae removed and a portion of the disc removed with the guide pin, shown partially in hidden line, inserted from a lateral approach to the thoracic spine into the disc space.

FIG. 4 is an enlarged front elevational view of the segment of the thoracic spine of FIG. 3 with the guide pin and distractor, shown partially in hidden line, inserted from a lateral approach to the thoracic spine in the disc space.

FIG. 5 is an enlarged front elevational view of the segment of the thoracic spine of FIG. 3 with the distractor, shown partially in hidden line, inserted from a lateral approach to the thoracic spine and seated in the disc space and the guide pin removed.

FIG. 6 is a rear perspective view of a segment of the thoracic spine having a distractor inserted from a lateral approach to the thoracic spine and seated in the disc space and the extended outer sleeve of the present invention coupled to a driver cap and about to be placed over the distractor.

FIG. 7 is an enlarged front elevational view of the segment of the thoracic spine of FIG. 3 with the distractor and the extended outer sleeve inserted from a lateral approach to the thoracic spine and seated in the disc space.

FIG. 7A is side perspective view of the extended outer sleeve of the present invention.

FIG. 8 is a rear perspective view of a portion of the thoracic spine with the extended outer sleeve fully seated over the distractor inserted from a lateral approach to the thoracic spine and seated in the disc space and with the driver cap removed.

FIG. 9 is a front elevational view of a segment of the thoracic spine of FIG. 3 with the extended outer sleeve inserted from a lateral approach to the thoracic spine and seated in the disc space and engaging the adjacent vertebrae showing the distractor being removed by a distractor puller.

FIG. 10 is an enlarged front elevational view of the segment of the thoracic spine of FIG. 3 with the extended outer sleeve inserted from a lateral approach to the thoracic spine and seated in the disc space and engaging the two adjacent vertebrae.

FIG. 11 is a front elevational view of a segment of the thoracic spine of FIG. 3 with the inner sleeve of the present invention being inserted into the extended outer sleeve.

FIG. 12 is an enlarged front elevational view of the segment of the thoracic spine of FIG. 3 with the inner sleeve, shown in partial hidden line, inserted into the extended outer sleeve that is inserted from a lateral approach to the thoracic spine in the disc space and engages two adjacent vertebrae.

FIG. 13 is a side elevational view of a segment of the thoracic spine of FIG. 3 showing the extended outer sleeve inserted from a lateral approach to the thoracic spine in the disc space and engaging the two adjacent vertebrae with the inner sleeve and drill shown in an exploded view and partially in hidden line.

FIG. 14 is a cross sectional view along lines 14-14 of FIG. 13 of the drill, inner sleeve and extended outer sleeve.

FIG. 15 is a cross sectional view along lines 15-15 of FIG. 13 of the collar for limiting the drilling depth of the drill.

FIG. 16 is an enlarged front elevational view of the segment of the thoracic spine of FIG. 3 showing the extended outer sleeve inserted from a lateral approach to the thoracic spine and seated in the disc space and engaging the two adjacent vertebrae, the inner sleeve inserted in the extended outer sleeve, and the drill passing through the inner sleeve to create a hole across the disc space and into the adjacent vertebrae.

7

FIG. 17 is an enlarged front elevational view of the segment of the thoracic spine of FIG. 3 with the extended outer sleeve inserted from a lateral approach to the thoracic spine and seated in the disc space and engaging the two adjacent vertebrae illustrating a hole drilled across the disc space and into the adjacent vertebrae.

FIG. 18 is a front elevational view of the segment of the thoracic spine of FIG. 3 showing the extended outer sleeve inserted from a lateral approach to the thoracic spine and seated in the disc space and engaging the two adjacent vertebrae, an implant driver, and a spinal implant about to be inserted through the extended outer sleeve and into the hole drilled across the disc space and into the adjacent vertebrae.

FIG. 19 is a front elevational view of the segment of the thoracic spine of FIG. 3 showing the extended outer sleeve inserted from a lateral approach to the thoracic spine and seated in the disc space and engaging the two adjacent vertebrae and a spinal implant implanted in the hole drilled across the disc space and into two adjacent vertebrae.

FIG. 20 is a front elevational view of the segment of the thoracic spine of FIG. 3 showing the extended outer sleeve inserted from a lateral approach to the thoracic spine and seated in the disc space and engaging the two adjacent vertebrae and an extractor cap for removing the extended outer sleeve about to be coupled to the extended outer sleeve.

FIG. 21 is an enlarged partial sectional view of the extractor cap engaging the extended outer sleeve.

FIG. 22 is a front elevational view of the segment of the thoracic spine of FIG. 20 with the distractor puller coupled to the extractor cap shown removing the outer sleeve from the disc space and the adjacent vertebrae in the direction of the arrow.

FIG. 23 is an enlarged front elevational view of a segment of the thoracic spine having a portion of the top vertebrae removed and a portion of the disc space removed and a spinal implant implanted from a lateral approach to the thoracic spine in the hole drilled across the disc space and into the two adjacent vertebrae.

FIG. 24 is a front elevational view of a segment of the thoracic spine having a spinal implant implanted from a lateral approach to the thoracic spine into a hole drilled across the disc space and into the adjacent vertebrae with a spinal fixation device coupled to the spinal fusion implant and engaging the adjacent vertebrae to lock the spinal implant in place.

FIG. 25 is a side perspective view of an alternative embodiment of the extended outer sleeve of the present invention having a pair of extension members and a pair of prongs.

FIG. 26 is a top plan view of the extended outer sleeve of FIG. 25 shown in partial cutaway with an inner sleeve and a drill inserted within its interior and placed adjacent to a vertebra of the spine with the major vessels and the dural sac and spinal nerves proximate to the vertebra shown in cross section.

FIG. 27 is an anterior elevational view of a vertebra of the spine with the extended outer sleeve of FIG. 25 shown inserted from the lateral approach and seated in the disc space and engaging the vertebra.

FIG. 28 is a posterior elevational view of a vertebra of the spine with the extended outer sleeve of FIG. 25 shown inserted from the lateral approach of the spine and seated in the disc space and engaging the vertebra.

FIG. 29 is a side elevational view of a segment of the lumbar spine with a first spinal implant inserted from the lateral aspect into a hole drilled across a first disc space and into two adjacent vertebrae, and a second spinal implant

8

inserted from the lateral aspect into a second hole drilled across a second disc space and into two adjacent vertebrae.

FIG. 30 is top sectional view along lines 30-30 of FIG. 29 showing the area of contact of the first spinal implant and the vertebra.

FIG. 30A is a top sectional view similar to FIG. 30 showing the area of contact of a spinal implant inserted from slightly anterior (anterolateral) along the lateral aspect of the spine and oriented at least partially from side to side with respect to the vertebra.

FIG. 31 is an anterior elevational view of a segment of the lumbar spine with spinal cylindrical implants inserted from the anterior of the spine into holes drilled across the same disc space and into two adjacent vertebrae.

FIG. 32 is a top sectional view along lines 31-31 of FIG. 31 showing the area of contact of the two spinal implants and the vertebra which is the same size as the vertebra of FIG. 30.

FIG. 33 is a top sectional view of a single implant having a diameter equal to the diameter of the implant of FIG. 30 showing the area of contact with the vertebra which is the same size as the vertebra of FIG. 30.

FIG. 34 is a side elevational view of a segment of the spinal column with two spinal implants inserted from front to back at adjacent disc levels between three vertebrae.

FIG. 35 is a perspective side view of an alternative embodiment of the extended outer sleeve of the present invention having a removable distal end with a single extension member and a pair of prongs.

DETAILED DESCRIPTION OF THE PREFERRED EMBODIMENT

Referring to FIG. 1, a rear perspective view of a segment of the thoracic spine S is shown with a guide pin 30 about to be inserted from a lateral approach (through the lateral chest wall) to the thoracic spine S into the disc space D between two adjacent vertebrae, for example vertebrae T₇ and T₈. The guide pin 30 may first be used as radiological marker to confirm the correct disk level and instrument position, and then functions to align and guide the insertion of the instrumentation described below into the disc space D. The guide pin 30 is inserted through a small incision on the side of a patient's chest cavity perpendicular to the lateral aspect of the vertebrae T₇ and T₈ of the thoracic spine S. The guide pin 30 is made of a material appropriate for surgical use and comprises a shaft portion 40, a tip 50 which may be pointed to facilitate insertion into the disc space D, and a distal end 60. In the preferred embodiment, the guide pin has a diameter in the range of 1.5 mm to 5.0 mm, with 2.5 mm being the preferred diameter, and a length in the range of 200 mm to 800 mm, with 350 mm being the preferred length.

Referring to FIGS. 2 and 3, the guide pin 30 is shown inserted from a lateral approach to the thoracic spine S and into the disc space D between adjacent vertebrae T₇ and T₈, with a substantial part of the shaft portion 40 of the guide pin 30 remaining external to the disc space D and functions as a guide post. The tip 50 of the guide pin 30 may penetrate the disc space D for a substantial part of the transverse width W of the vertebrae T₇ and T₈ such that at least a part of the shaft portion 40 is within the disc space D. The guide pin 30 is firmly embedded in the discal material present within the disc space D, but does not protrude through the opposite side of the disc space D to prevent any unwanted damage to that area. The guide pin 30 is placed in the disc space D so that it is parallel to the end plates of the vertebrae T₇ and T₈, and centered within the disc space D to bisect the disc space D along the transverse width W of the vertebrae T₇ and T₈. In

this manner, a substantial portion of the vertebrae T_7 and T_8 is present near the circumference of the guide pin **30** such that instruments having a diameter greater than the guide pin **30** may be inserted into the vertebrae T_7 and T_8 coaxial to the guide pin **30** without protruding from the vertebrae T_7 and T_8 . Such instruments are guided and aligned during insertion by the guide pin **30** so that they are correctly oriented with respect to the vertebrae T_7 and T_8 . The surgeon may monitor the correct orientation of the guide pin **30** within the disc space D indirectly with an image intensifier, or directly with a thoroscope if one is being used.

Once inserted in the disc space D, the guide pin **30** functions as a guide post for a distractor **100** which is placed over the guide pin **30** and inserted in the disc space D to distract the disc space D and align the adjacent vertebrae T_7 and T_8 by urging them apart. Circumstances permitting, the surgeon may elect to bypass the use of the guide pin **30** and insert the distractor **100** directly. The distractor **100** has a cylindrical barrel **106** that terminates at one end in a reduced diameter disc penetrating portion **102** that is essentially cylindrical, with a further reduced diameter, bullet-shaped front end **103** to facilitate insertion into the disc space D. The distractor **100** has a shoulder portion **104** where the penetrating portion **102** extends from barrel **106** and has a hollow longitudinal passageway **107** extending the entire length of the distractor **100** for receiving the guide pin **30**. The passageway **107** of the distractor **100** is open at both ends of the distractor **100** and has a diameter that is slightly greater than the diameter of the shaft portion **40** of guide pin **30**. The shaft portion **40** of the guide pin **30** may pass through the passageway **107** as the distractor **100** is placed coaxially over the guide pin **30**. In this manner, the distractor **100** can be guided and aligned by the guide pin **30** so that it is inserted into the disc space D coaxial to the guide pin **30** and is properly aligned with respect to the vertebrae T_7 and T_8 . Once the distractor **100** is properly placed within the disc space D, the guide pin **30** may be removed from the disc space D through the passageway **107** of the distractor **100**.

The appropriate placement of distractor **100** in the disc space D may be determined visually by the surgeon by the use of a thoroscope and or by the use of radiographic, fluoroscopic, or similar procedures, such as utilizing an image intensifier, all of which allow the surgeon to determine the correct orientation and placement of the guide pin **30** and distractor **100** within the disc space D. The correct orientation and placement of the distractor **100** is important to the success of the method of the present invention, as the purpose of the distractor **100** is to space part and align the vertebrae T_7 and T_8 and to guide the insertion into the disc space D of the extended outer sleeve **140** described in detail below. As the diameter of the distractor **100** is almost the same as the inner diameter of the extended outer sleeve **140** and is the same as the spinal implant I, also described in detail below, the surgeon can use x-rays to determine whether the distractor **100** is properly oriented with respect to the adjacent vertebrae T_7 and T_8 , such that any subsequent drilling through the extended outer sleeve **140** and insertion of spinal implant I will be correctly oriented with respect to the vertebrae T_7 and T_8 . Such a precaution will permit the surgeon to correct any misplacement of the distractor **100** before any irreversible drilling or implant insertion has occurred.

The penetrating portion **102** of the distractor **100** may be of various diameters and lengths, the preferred length being less than the known transverse width W (side to side) of the vertebrae T_7 and T_8 . This combined with the circumferential shoulder portion **104** of the distractor **100**, which is too large to fit within the disc space D, protects against the danger of

overpenetration. The barrel **106** of the distractor **100** may have at its distal end a recessed portion **108** below the crown **110** which allows for the distractor **100** to be engaged by an extractor unit shown in FIG. 9.

In the preferred embodiment of the distractor **100**, the barrel **106** has a diameter in the range of 10 mm to 30 mm, with 20 mm being the preferred diameter, and the penetrating portion **102** has a diameter in the range of 3 mm to 10 mm, with 6 mm being the preferred diameter.

Referring to FIGS. 4 and 5, once the distractor **100** is inserted into the disc space D, the penetrating portion **102** of the distractor **100** distracts the vertebrae T_7 and T_8 apart, such that the vertebrae T_7 and T_8 to either side of the penetrating portion **102** are forced into full congruence and thus become parallel, not only to the penetrating portion **102**, but to each other. Because of the forced opposition of the vertebrae T_7 and T_8 to the penetrating portion **102** the distractor **100** will then come to lie absolutely perpendicular to the plane P of the lateral aspect of the thoracic spine S and absolutely parallel to the vertebral endplates, allowing optimal alignment for the procedure to be performed.

Referring to FIGS. 6, 7 and 7A, the distractor **100** now serves as both a centering post and an alignment rod for the extended outer sleeve **140** which is fitted over the distractor **100** and inserted into the disc space D. As shown in FIG. 7A, the extended outer sleeve **140** is a hollow tubular member made of material appropriate for surgical use and preferably metal, and has an inner diameter sufficiently sized to receive the distractor **100**. The inner diameter of the extended outer sleeve **140** closely matches the outer diameter of the distractor **100**, so that a close fit is achieved and the extended outer sleeve **140** is precisely guided by the distractor **100**. The extended outer sleeve **140** has at its distal end **146** an extension member **148** and two prongs **149** and **150** sufficiently spaced apart to penetrate and hold fixed the two adjacent vertebrae T_7 and T_8 . The extension member **148** is essentially a continuation of the extended outer sleeve **140** and the prongs **149** and **150** are offset from the extended outer sleeve **140** or can also be a continuation of the extended outer sleeve **140** like extension member **148**. The prongs **149** and **150** may have sharp insertion edges **152** and **154** to facilitate insertion into the vertebrae T_7 and T_8 .

Where the surgery is for a disc herniation, the extension member **148** of the extended outer sleeve **140** located anteriorly is used without a second extension member posteriorly, as the use of the two prongs **149** and **150** in conjunction with the anterior extension member **148** makes it possible to operate through the extended outer sleeve **140** posteriorly, without obstruction and with good visibility when an endoscope is used such that any remaining disc herniation may be removed. The extension member **148** of the extended outer sleeve **140** provides a protective barrier to the structures lying beyond it.

However, if the surgery is not for a disc herniation, but for example, for stabilization of the spine, then the extended outer sleeve may have both an anterior extension member **148** and a corresponding posterior extension member with or without prongs, such as the extended outer sleeve **1100** shown in FIG. 35 and described in greater detail below.

In the preferred embodiment, the extension member **148** of the extended outer sleeve **140** functions to maintain the distraction and alignment of the vertebrae T_7 and T_8 , as the extension member **148** is being inserted from the lateral aspect of the thoracic spine S. Without the extension member **148**, in order to maintain the proper distraction of the adjacent vertebrae T_7 and T_8 , it would be necessary to place a surgical instrument, such as a second distractor (not shown) on the

opposite side of the vertebrae T_7 and T_8 . This would require a second incision in the opposite side of the patient's chest cavity for insertion of the required surgical instruments. Further, as it is desired to insert an implant of the maximum possible length across the transverse width W of the vertebrae T_7 and T_8 , the presence of any instrumentation at the opposite end of the vertebrae T_7 and T_8 , would interfere with the insertion of such an implant. For example, the second distractor on the opposite side of the vertebrae T_7 and T_8 would be in the way of a drill used to create a hole across the transverse width W of the vertebrae T_7 and T_8 , since the drilled opening would overlap the second distractor. Therefore, the extension member **148** solves the problem of maintaining an even distraction of the two adjacent vertebrae T_7 and T_8 across their transverse width W from only one side of the thoracic spine S , allowing for the unimpeded insertion of instruments and/or implants. While in the preferred embodiment, the extended outer sleeve **140** has an extension member **148**, it is also possible to have an extended outer sleeve without any extension members and instead, having prongs of sufficient length that engage the bone of the adjacent vertebrae to maintain the distraction and alignment of the adjacent vertebrae created by the distractor **100**. However, the use of such an extended outer sleeve capable of holding, but not of obtaining, the desired intervertebral distraction and alignment would require the use of a distractor prior to its insertion as earlier described herein.

In the preferred embodiment of the extended outer sleeve **140**, a single extension member **148** is present and oriented anteriorly to protect the major vessels located to the anterior aspect of the thoracic spine S . The extended outer sleeve **140** has no extension member near the posterior aspect of the spine as it is often necessary to access the spinal canal in order to remove any diseased discal material. In the special circumstances where only vertebral fusion is desired, the extended outer sleeve **140** may have a second extension member (not shown) identical to the extension member **148** positioned diametrically opposite the extension member **148** in order to protect the spinal canal, and in such instance may or may not have the bone penetrating prongs **149** and **150**.

The extension member **148** of the extended outer sleeve **140** has a height that is generally approximately equal to the diameter of the penetrating portion **102** of the distractor **100**, such that the extension member **148** is capable of maintaining the spacing created by the insertion of the distractor **100** between the adjacent vertebrae T_7 and T_8 which is generally the restoration to normal of the disc space D . The extension member **148** is tapered at its leading edge **151** to facilitate insertion into the disc space D and is positioned approximately 120 degrees from each of the two prongs **149** and **150**. The extension member **148** of the extended outer sleeve **140** works in conjunction with the prongs **149** and **150** which engage the vertebrae T_7 and T_8 , respectively, to maintain the distraction and alignment of the vertebrae T_7 and T_8 . Further, the prongs **149** and **150** not only hold the vertebrae T_7 and T_8 apart, but during drilling also help to hold them together so as to resist them moving apart.

In the preferred embodiment, the extension member **148** of the extended outer sleeve **140** has a length that is less than the transverse width W of the vertebrae T_7 and T_8 . The extension member **148** needs to be relatively long because it must maintain distraction of the adjacent vertebrae T_7 and T_8 when placed across the transverse width W of the vertebrae T_7 and T_8 . Therefore, if the extension member **148** is shorter than one half the transverse width W of the vertebrae T_7 and T_8 , it may not be capable of distracting and aligning the vertebrae T_7 and

T_8 , and a second distractor would be required as described above, to achieve the correct distraction and alignment of the vertebrae T_7 and T_8 .

In the preferred embodiment, the extended outer sleeve **140** has an outer diameter in the range of 12 mm to 34 mm, with 24 mm being the preferred outer diameter, and an inner diameter in the range of 10 mm to 28 mm, with 20 mm being the preferred inner diameter of the extended sleeve **140**.

In the preferred embodiment, the extension member **148** of the extended outer sleeve **140** has a length in the range of 14 mm to 30 mm, with 24 mm being the preferred length, and a height in the range of 3 mm to 10 mm, with 6 mm being the preferred height. In the preferred embodiment, the prongs **149** and **150** of the extension member **140** have a length in the range of 6 mm to 20 mm, with 14 mm being the preferred length and a diameter in the range of 2 mm to 3 mm, with 2 mm being the preferred diameter of the prongs **149** and **150**.

Referring specifically to FIG. 6, coupled to the proximal end **157** of the extended outer sleeve **140** is a driver cap **160** in the form of an impaction cap which has at its far end a flat, closed-back surface **162** and at its other end a broad, circular opening. The driver cap **160** is used for driving the extended outer sleeve **140** toward the vertebrae T_7 and T_8 and fits over both the extended outer sleeve **140** and the distractor **100**. An impaction force, such as a mallet blow, is applied to surface **162** of the driver cap **160** to advance the extended outer sleeve **140**. That force is transmitted to the extended outer sleeve **140** via its proximal end **157**, seating the prongs **149** and **150** of the extended outer sleeve **140** into the vertebrae T_7 and T_8 and inserting the extension member **148** into the disc space D . As the extended outer sleeve **140** is advanced forward, the crown **110** of the distractor **100** is allowed to protrude within the driver cap **160** unobstructed until it contacts the interior of the driver cap **160**, such that further taps of the mallet will not further advance the extended outer sleeve **140**. Any further motion is resisted by the flat shoulder portion **104** of the distractor **100** abutting the hard lateral outer surfaces of the adjacent vertebrae T_7 and T_8 . The flat, planar area **156** of the distal end **146** of extended outer sleeve **140** serves to resist the further insertion of the extension member **148** into the disc space D and to resist further insertion of the prongs **149** and **150** into the vertebrae T_7 and T_8 . In this way, the extended outer sleeve **140** is safely and assuredly inserted to its optimal depth, and no further, and rigidly secures the two adjacent vertebrae T_7 and T_8 as shown in FIG. 7.

Referring to FIGS. 8 and 9, the driver cap **160** is then removed and the crown **110** and the recessed portion **108** of the distractor **100** protrude from the proximal end **157** of the extended outer sleeve **140**. The distractor **100** may now be removed from within the extended outer sleeve **140** since the extended outer sleeve **140** functions to maintain the distraction and alignment of the vertebrae T_7 and T_8 . The extended outer sleeve **140** is held secure by the extension member **148** inserted within the disc space D and by the prongs **149** and **150** engaging the vertebrae T_7 and T_8 .

A distractor puller **200** is utilized to remove the distractor **100** in the direction of arrow Y from within the disc space D leaving the extended outer sleeve **140** in place. The distractor puller **200** has front portion **202**, a mid portion **204**, and a back handle portion **206**. The front portion **202** of the distractor puller **200**, is connected to one end of shaft **210** which at its far end is connected to the back handle portion **206**. The distractor puller **200** is described in detail in copending U.S. application Ser. No. 08/074,781, entitled APPARATUS AND METHOD FOR INSERTING SPINAL IMPLANT, and is incorporated herein by reference. The socket-like front por-

13

tion 202 of the distractor puller 200 engages the circumferential recessed portion 108 of the distractor 100.

A cylindrical and freely movable weight 216 is fitted around shaft 210 between the front portion 202 and the rear handle portion 206 of the distractor puller 200 so as to form a slap hammer. The weight 216 of the distractor puller 200 is gently and repeatedly slid along the shaft 210 and driven rearwardly against flat surface 228 of the rear handle portion 206 to transmit a rearward vector force to front portion 202 and to the distractor 100 to which it is engaged. In this manner, the distractor 100 is removed from within the disc space D and out of the extended outer sleeve 140 without disturbing it.

Referring to FIG. 10, once the distractor 100 has been completely removed from within the extended outer sleeve 140 and from within the disc space D, the extension member 148 remains within the disc space D and the prongs 149 and 150 rigidly maintain the appropriate distraction and the relative position of the adjacent vertebrae T₇ and T₈. The remainder of the procedure occurs entirely through the extended outer sleeve 140 and the space therein is sealed off from any of the organs of the chest.

Referring to FIGS. 11 and 12, since the extended outer sleeve 140 is of a fixed length and rigid, the flat rearward surface 172 of the distal end 146 may be used as a stop to the advancement of any instruments placed through the extended outer sleeve 140, thus protecting against accidental overpenetration. Further, the extended outer sleeve 140 assures that the further procedure to be performed will occur coaxial to the disc space D and further, be symmetrical in regard to each of the adjacent vertebrae T₇ and T₈.

Where it is desirable to drill a hole smaller in diameter than the spinal implant to be inserted, such as in the case where the spinal implant is threaded, an inner sleeve 242 which functions as a drill guide and spacer having a thickness which corresponds to the difference between the major and minor diameters of the spinal implant, is inserted in the proximal end 158 of the extended outer sleeve 140. The inner sleeve 242 is a hollow tubular member comprising a barrel portion 243 and a cuff portion 244 having a greater outer diameter than the barrel portion 243. The cuff portion 244 of the inner sleeve 242 seats against the flat rearward surface 172 of the extended outer sleeve 140 to prevent further insertion of the inner sleeve 242. The distal end 246 of the inner sleeve 242 extends towards but does not impact the lateral aspect of the adjacent vertebrae T₇ and T₈ in the interior of the extended outer sleeve 140 when fully seated. The barrel portion 243 of the inner sleeve 242 has an outer diameter that fits within the inner diameter of the extended outer sleeve 140. In the preferred embodiment, the barrel portion 243 of the inner sleeve 242 has an outside diameter in the range of 10 mm to 28 mm, with 20 mm being the preferred outer diameter, and a wall thickness in the range of 0.5 mm to 3 mm, with approximately 0.75 to 1.5 mm being the preferred thickness.

Referring to FIGS. 13-15, once the inner sleeve 242 is seated within the extended outer sleeve 140, a drill 250 connected to a handle 260 or to a drill motor (not shown), is introduced through the aperture in the proximal end 248 of the inner sleeve 242 and utilized to create a hole across the disc space D and into the adjacent vertebrae T₇ and T₈. The drill 250 reams out arcs of bone which it engages from the adjacent vertebrae T₇ and T₈, as well as any discal material within its path down to its predetermined and limited depth. It is appreciated that if an inner sleeve 242 is not used, the drill 250 may be placed directly into the extended outer sleeve 140 to create a hole across the disc space D and into the adjacent vertebrae T₇ and T₈.

14

The drill shaft of drill 250 comprises an upper portion 252, a central recessed portion 254 of a smaller diameter and a lower cutting portion 256. The drill 250 has a narrow engagement portion 258, which allows it to be affixed to a driving mechanism which may be either a manual unit such as, handle 260, or a power unit such as an electric drill motor. The upper portion 252 has a plurality of grooves 261 for engaging a circumferential collar 262 of an increased diameter which serves to limit the depth of penetration of the drill 250 and may be fixed, or lockably adjustable.

Referring to FIG. 15, a cross sectional view of the circumferential collar 262 is shown engaging the upper portion 252 of the shaft of drill 250. The collar 262 comprises diametrically opposite first and second flanges 264 and 266. The first and second flanges 264 and 266 are pivotably attached to the collar 262 by first and second pins 268 and 270 and spring biased by first and second spring 272 and 274. The first and second flanges 264 and 266 of the collar 262 are contoured to correspond to the curvature of the upper portion 252 of the drill 250. The first and second flanges 264 and 266 engage one of the grooves 261 when in the full biased position as shown in FIG. 15. To disengage the grooves 261, the first and second 264 and 266 are compressed together by the surgeon such that the first and second springs 272 and 274 are compressed and the first and second flanges 264 and 266 pivot away from the upper portion 252 of the shaft, such that the collar 262 can slide along the upper portion 252 of the drill 250. The first and second flanges 264 and 266 of the collar 262 are oriented opposite each other and need to be compressed together in order to disengage the grooves 261. The compression of one of the flanges 264 and 266 alone will not disengage the collar 262 from the grooves 261. In this manner, collar 262 can not become accidentally disengaged during the rotation of the drill 250.

While it is believed that this mechanism is entirely novel, it is appreciated that various mechanisms to lockably adjust drills are well-known to those skilled in the art. Such mechanisms include, but are not limited to, the use of collets, threaded shafts with lock nuts, and flanges engaging grooves forced therein by either a cap pulled over the flanges or screwed down upon them.

Referring to FIGS. 13 and 14, in the preferred embodiment, the forward cutting edge 280 of drill 250 is a four cutting edge end mill modification of a large fluted drill design. The cutting portion 256 of the drill 250 resembles an end cutting mill which may contain any workable number of cutting surfaces, but preferably four or more, that are relatively shallow such that the advancement of the drill 250 occurs more slowly. The cutting portion 256 of the drill 250 may be of a different diameter depending on the type of spinal implant that is being inserted. If the spinal implant being inserted is threaded, the outside diameter of the cutting portion 256 of the drill 250 would generally correspond to the minor diameter of the threaded implant. The inner sleeve 242 has an inner diameter slightly greater than the minor diameter of a threaded implant and its outer diameter is slightly smaller than the inside diameter of the extended outer sleeve 140 which has the same outer diameter as the major diameter (with threads) of the threaded implant. If the implant is not threaded, the outside diameter of the drill 250 corresponds to the inside diameter of the extended outer sleeve 140 such that a hole the maximum diameter of the extended outer sleeve may be drilled.

The inner sleeve 242 serves many functions. First, it provides an intimate drill guide for drill 250 in the event a smaller diameter hole is to be drilled than that of the inside diameter of the extended outer sleeve 140. Second, since the inner sleeve 242 guides the drill 250, it allows for the extended

outer sleeve **140** to have an internal diameter large enough to admit a threaded implant, which is larger in diameter than the outer diameter of the drill **240**.

If a larger extended outer sleeve **140** were utilized absent the inner sleeve **242**, then the drill **250** would be free to wander within the confines of that greater space and would not reliably make parallel cuts removing equal portions of bone from the adjacent vertebrae T_7 and T_8 . Further, the bone removal not only needs to be equal, but must be correctly oriented in three dimensions. That is, the path of the drill **250** must be equally centered within the disc space, parallel the endplates, and perpendicular to the long axis of the spine dissecting the disc space D.

A further purpose of the inner sleeve **242** is that it may be removed simultaneously with the drill **250**, thereby trapping the debris, both cartilaginous and bony, generated during the drilling procedure. The debris is guided rearward by the large flutes **251** of the lower cutting portion **256** and is collected around the central recessed portion **254** and then contained and between the recessed portion **254** and the inner wall of the inner sleeve **242**. Thus, by removing the drill **250** in conjunction with the inner sleeve **242**, much of the debris generated by the drilling procedure is safely removed from the drilling site.

Referring to FIG. **17**, once the drill **250** and the inner sleeve **242** are removed from the extended outer sleeve **140** a cylindrical hole **290** remains across the disc space D and into the two adjacent vertebrae T_7 and T_8 . The cylindrical hole **290** is oriented across the transverse width W of the vertebrae T_7 and T_8 , in which an implant of appropriate diameter is to be implanted. The proper distraction and orientation of the two adjacent vertebrae T_7 and T_8 is maintained by the extension member **148** and the prongs **149** and **150** of the extended outer sleeve **140**.

The cylindrical hole **290** may then be irrigated and vacuumed through the extended outer sleeve **140** to remove any remaining debris from the drilling. If necessary, a thrombin soaked sponge may be inserted through the extended outer sleeve **140** and into the cylindrical hole **290** to coagulate any bleeding. The thrombin soaked sponge is then removed and the surgeon utilizing an endoscope then visually inspects the cylindrical hole **290** for any remaining discal material, and removes any such material requiring such removal with a surgical instrument such as a curette or rongeur.

Referring to FIG. **18**, with the extended outer sleeve **140** still in place, the surgical site is now fully prepared to receive a spinal implant I for fusion of the vertebrae T_7 and T_8 . The spinal implant I may be coated with, and/or made of, and/or loaded with substances consistent with bony fusion which may promote bone growth and/or fusion prior to being implanted. Once the spinal implant I has been prepared for implantation, a driver instrument, such as driver **300** may be used to either insert or to remove spinal implant I. Driver **300** has at its distal end **302**, a rectangular protrusion **304**, which intimately engages the complimentary rectangular slot in the rear of implant I. Extending from the rectangular protrusion **304** is threaded portion **306**, which extends as a rod through hollow shaft **308** and hollow barrel portion **310** to knob **312** where it can be rotationally controlled. Threaded portion **306** screws into a threaded aperture in the spinal implant I and binding them together such that driver **300** can be rotated via paired and diametrically opposed extending arms **314** and **316** and in either direction while maintaining contact with the spinal implant I.

Affixed to the driver **300**, the spinal implant I is then introduced through the extended outer sleeve **140** and if the spinal implant I is threaded, screwed into the cylindrical hole **290**

between the two vertebrae T_7 and T_8 until such time as the leading edge of the implant cap **318** reaches the depth of the cylindrical hole **290** at which time its forward motion is impeded by the bone lying before it which had not been drilled out. This allows for a progressive feel to the surgeon as the spinal implant I is inserted into place. It is appreciated that if the spinal implant I is not threaded, instead of being screwed into hole **290**, it may be linearly advanced into hole **290** by pushing the driver **300** toward the hole **290**.

The terminal resistance to further seating provides significant tactile feedback to the surgeon. Visual monitoring of the depth of insertion of the spinal implant I is provided to the surgeon by observing the progressive approximation of the forward surface **320**, of barrel portion **310**, as it approaches the rearward facing surface **172** of extended outer sleeve **140** and/or by the use of an image intensifier. As a final safety mechanism, when the full depth of insertion has been achieved, forward surface **320** of instrument **350** will abut surface **172** of the extended outer sleeve **140**, prohibiting any further installation of the implant. Once the spinal implant I has been fully installed, the driver **300** is dissociated from the implant by turning knob **312** in a counterclockwise direction. The driver **300** is then withdrawn from the extended outer sleeve **140**.

Referring to FIG. **19**, the spinal implant I is shown fully installed to the determined depth in the cylindrical hole **290** drilled across the disc space D and into the adjacent vertebrae T_7 and T_8 . The spinal implant I shown comprises a hollow tubular member which in the preferred embodiment is made of an ASTM surgically implantable material, preferably titanium. However, it is appreciated that other implants, cylindrical or partially cylindrical, or of a variety of shapes, and with or without threads or surface roughenings may be used with the instrumentation and method of the present invention.

Referring to FIGS. **20** and **21**, an extractor cap **340** for removing the extended outer sleeve **140** is shown about to be coupled to the extended outer sleeve **140**. The extractor cap **340** engages the proximal end **157** of the extended outer sleeve **140** by spring tabs **342a** and **342b** on either side of extractor cap **340** which snap-fit into openings **344a** and **344b** on either side of the extended outer sleeve **140** to lock in place. The extractor cap **340** has a top **346** that is similar in structure to the proximal end of the distractor **100**, having a recess portion **350** and a crown portion **352**.

Referring to FIG. **22**, once the extractor cap **340** is coupled to the extended outer sleeve **140**, the distractor puller **200** is coupled to the top **346** of extractor cap **340** to remove the extended outer sleeve **140** from the disc space D and from the adjacent vertebrae T_7 and T_8 in the direction of the arrow Z.

Referring to FIG. **23**, once the extended outer sleeve **140** has been removed, the spinal implant I remains implanted within the cylindrical hole **290** drilled across the disc space D and the implant engages the two adjacent vertebrae T_7 and T_8 .

Referring to FIG. **24**, the spinal implant I may be further stabilized with use of a spinal fixation device **400** such as the staple disclosed in copending U.S. application Ser. No. 08/219,626 entitled APPARATUS, INSTRUMENTATION AND METHOD FOR SPINAL FIXATION, which is incorporated herein by reference. The spinal fixation device **400** is coupled to the spinal implant I with a locking screw **416** and engages the vertebrae T_7 and T_8 via prongs **420** and **422**. The spinal fixation device **400** functions to stabilize the spinal implant I and prevent any unwanted excursion of the spinal implant I during the spinal fusion process. It is appreciated that prior to removal of the extended outer sleeve **140**, a centering post (not shown) may be inserted through the extended outer sleeve **140** and attached to the threaded open-

ing in the back of the spinal implant I. The extended outer sleeve **140** is then removed and the centering post functions as guide to align the spinal fixation device **400** as it is being driven into the vertebrae T₇ and T₈ as described in detail in the copending application referenced immediately above.

In the above description in regard to the thoracic spine, the surgical procedure has been described as being performed through a hollow tube (extended outer sleeve **140**) and with the aid of a thoracoscope. It is appreciated that there may be circumstances where the surgeon will elect to perform the surgical procedure through an incision, such as a thoracotomy, where direct visualization of the surgical site is possible obviating the need for the thoracoscope but without diminishing the teaching of the method of the present invention. In such cases, a modification of the extended outer sleeve **140**, such as the extended outer sleeve **1100** shown in FIG. **35** and described in detail below, having a detachable distal end may be beneficially utilized by the surgeon. In this manner, the surgeon has direct visualization of the surgical site while the proper distraction and alignment of the adjacent vertebrae is maintained throughout the procedure by the distal end of the extended outer sleeve.

While the present invention has been described in association with the insertion of a threaded spinal implant, it is recognized that other forms of implants may be used with the present method. For example, dowels, made from bone, coral or artificial materials, knurled or irregularly shaped cylinders or spheres, partial cylinders or any other shaped implants that can be introduced through the extended outer sleeve **140**, which itself need not be cylindrical may be used.

When such implants are used, it is appreciated that the steps of the method of the present invention described above may be reduced. For example, once the extended outer sleeve **140** has been seated such that the extension portion **148** is inserted in the disc space D and the prongs **149** and **150** engage the adjacent vertebrae, the step of inserting the inner sleeve **242** may be omitted and a drill having a diameter approximating that of the inner diameter of the extended outer sleeve **140** may be used to drill a hole the size of the inner diameter of the extended outer sleeve **140** across the disc space D and into the adjacent vertebrae. Once the drill has been removed, any remaining discal material or debris may be removed by irrigating and vacuuming the hole, and an implant such as a bone dowel or an implant without threads, may be linearly advanced through the extended outer sleeve **140** and implanted into the hole. The extended outer sleeve **140** is then removed in the same manner described above. Where the implant shape is generally not circular, an appropriately shaped chisel may be used by itself or in conjunction with a drill to prepare an opening for the fusion implant that is other than round.

It is further appreciated that it is also within the scope of the present invention to provide a method and instrumentation for the insertion of a spinal implant into the disc space between two adjacent vertebrae, without the drilling away of significant bone from the vertebrae. Such implants may have a height corresponding to the height of a disc space D and may be pushed into the disc space D when distracted once the disc space D has been cleaned out. This type of implant would preferably have in part a rectangular cross section and an extended outer sleeve used for the insertion of such implants would have a corresponding cross section and shape. Further, it is appreciated that the extended outer sleeve and inner sleeve of the present invention may have any shape or size corresponding to the shape and size of the implant to be inserted without departing from the scope of the present invention.

While the above description has been directed to the thoracic spine, the method and instrumentation of the present invention may also be utilized in the lumbar spine. In the preferred method, the surgeon makes a small incision in the abdominal wall and gently dissects his way retroperitoneal to reach the lateral aspect of the spine. As with the thoracoscopic method described above, the surgeon may use an endoscope within and/or outside of the extended outer sleeve to facilitate the surgery, and thereby require an incision barely larger than the diameter of the extended outer sleeve which itself is not much larger than the implant.

Referring to FIG. **25**, an extended outer sleeve **1000** for use with the lateral method in the lumbar spine is shown. The extended outer sleeve **1000** is similar to the extended outer sleeve **140** described above and comprises a hollow tubular member **1002** having a distal end **1010** which is contoured to hug the vertebrae, for example L₄ and L₅. The extended outer sleeve **1000** has anterior and posterior extension members **1020** and **1022**, each having different heights, that are opposed 180 degrees from each other. Also extending from the distal end **1010** may be prongs **1012** and **1014**, similar to prongs **149** and **150** described above, for engaging the bone of the adjacent vertebrae L₄ and L₅. The extension members **1020** and **1022** are tapered at their leading edges **1024** and **1026** respectively, to facilitate insertion.

As shown in FIGS. **26-28**, the extended outer sleeve **1000** is designed to be used in approaching the lumbar spine laterally from either side of the spinal column. The extended outer sleeve **1000** by means of its extended portions **1020** and **1022** is capable of correcting those spinal deformities, such as scoliosis or any abnormality of kyphosis or lordosis, occurring specifically from a deformity of the disc. For example, in order to restore lordosis in the lumbar spine, the anterior extension member **1020** is placed anteriorly between the adjacent vertebrae L₄ and L₅ and the posterior extension member **1022**, having a lesser height than the extension member **1020**, is placed posteriorly. The greater height of the extension member **1020** relative to the extension member **1022** maintains the anterior portions of the vertebrae L₄ and L₅ spaced apart at a greater distance than the posterior portions of the vertebrae L₄ and L₅ producing an angular relationship between the bodies as would exist with naturally occurring physiologic lordosis. Once restored, lordosis is maintained throughout the surgical procedure.

Scoliosis refers to an abnormal curving of the spine when viewed from straight ahead or behind. Since the extension members **1020** and **1022** may be of a specific and constant height throughout their entire lengths, both sides of the disc space D are lifted to exactly the same height, thus eliminating any side to side angular deformity occurring through that disc space.

Referring specifically to FIG. **26**, it can be appreciated that the posterior extension member **1022** effectively prevents any injury to the dural sac and neural elements, while the anterior extension member **1020** in a similar fashion, protects the great blood vessels including the aorta, vena cava and the iliac arteries and veins. As the extended outer sleeve **1000** of the present invention is quite stable once inserted, the preferred embodiment is shown as having only two prongs **1012** and **1014**, one each to engage each of the adjacent vertebrae L₄ and L₅. It is, however, understood that the extended outer sleeve **1000** may have more or less prongs or none at all. The distal end **1010** of the tubular member **1002** is contoured adjacent the origin of the anterior and posterior extended members **1020** and **1022** so as to assure an intimate fit between the tubular member **1002** and the vertebrae L₄ and L₅ adjacent the disc space D to which it is opposed, and for the

19

purpose of confining the surgery to within the extended outer sleeve **1000** and excluding the adjacent soft tissues from potential injury. In the preferred embodiment, the distal end of the tubular member **1002** and the anterior and posterior extended members **1020** and **1022** themselves have been reinforced, that is are thicker than the adjacent tubular member **1002** itself so as to provide for increased support within the lumbar spine.

Referring still to FIG. **26**, the extended outer sleeve **1000** engages the spine laterally, although the surgical approach in reaching the spine may be from an anterior, lateral, or anterior-lateral incision on the outside of the body, and is herein-after referred to as the "Lateral Method". The "Lateral Method" involves the insertion of a distractor, such as, but not limited to the distractor **100** described above into the lateral aspect of the spine, and generally from a side to side direction although said direction could be slightly from anterolateral to slightly posterolateral (diagonalized from the transverse axis) without departing from the teaching of the method of the present invention to distract the adjacent vertebrae, in this example, L_4 and L_5 . Once the distractor **100** is in place, if fusion alone is to be performed, then the extended outer sleeve **1000** having both anterior and posterior extension members **1020** and **1022** is utilized. The extended outer sleeve **1000** is placed over the distractor **100** such that the posterior extension member **1022** is positioned at the posterior aspect of the spine and the anterior extension member **1020** is positioned at the anterior aspect of the spine. Once the extended outer sleeve **1000** is in place, the distractor **100** is removed. Alternatively, it is appreciated that the "Lateral Method" may be performed without the use of a distractor. Instead, the extended outer sleeve **1000** may be inserted from the lateral aspect of the spine directly since the extension members **1020** and **1022** function to distract the adjacent vertebrae L_4 and L_5 to restore and maintain the normal angular relationship of those vertebrae L_4 and L_5 .

If the implant to be inserted has surface irregularities such that there is a major diameter (including the surface irregularities) and a minor diameter (excluding the surface irregularities), then an inner sleeve **1040** similar to the inner sleeve **242** described above, may be inserted into the extended outer sleeve **1000**. The inner sleeve **1040** functions as a drill guide and spacer having a thickness which corresponds to the difference between the major and minor diameters of such implant as described in detail above in reference to an inner sleeve **1040**. A drill **250**, described above, is inserted into the inner sleeve **1040** and is used to drill the vertebrae with the inner sleeve **1040** providing a more intimate fit to the drill **250**, than the larger bore of the extended outer sleeve **1000** could have alone and thus more precisely controlling the path of the drill **250**. The inner sleeve **1040** and the drill **250** may be removed from the extended outer sleeve **1000** together thus trapping and removing much of the debris produced by the actual drilling. It is appreciated that in the alternative, a drill (not shown) may be used such that the distal bone engaging portion has an outside diameter generally corresponding to the minor diameter of the implant and more proximally, a shaft portion with a larger diameter generally corresponding to the major diameter of the implant. An implant **I** may then be inserted according to the method described above. If the implant to be inserted does not have a major and minor diameter, then no inner sleeve is required, and the drill **250** having a diameter corresponding with the diameter of such an implant may be inserted directly into extended outer sleeve to drill the vertebrae L_4 and L_5 .

While not considered the preferred method under most circumstances it is nevertheless anticipated that one could

20

drill the described hole across the disc space and into each of the adjacent vertebrae from the lateral aspect of the spine and in at least a partially side to side direction through the extended outer sleeve and then remove the extended outer sleeve and insert at least one spinal implant also from the lateral aspect of the spine and in an at least a partially side to side direction and with or without the use of some form of spinal distractor. In which circumstance the use of an inner sleeve is of less importance than that the size of the opening created is sufficient such that it is possible to insert the implant. To that end and independent of whether the extended outer sleeve is left in place for implant insertion, and whether an inner sleeve is used during drilling it is anticipated and should be appreciated that the extended outer sleeve and opening may be of a variety of shapes and that the creation of spaces of varied shapes across a disc and within the spine may be achieved by use of an instrument appropriate for the surgical removal of spinal material, such as a chisel or a router, and with or without the use of a drill, and/or an inner sleeve, and/or an extended outer sleeve; and with the essential element being that the space within the spine is being created across a disc intermediate two adjacent vertebrae from the lateral aspect of said disc and at least in part in a from side to side direction and that an implant is then inserted also from the lateral aspect of said disc which implant occupies at least in part said space, engages at least in part each of the vertebrae adjacent said disc space and comes to lie in an at least partially side to side direction across said disc space.

Referring to FIGS. **29** and **30**, the implants **I** and **J** are shown inserted across the disc spaces **D** between vertebrae L_3 , L_4 and L_5 , respectively. FIG. **30** is a top sectional view along lines **30-30** of FIG. **29** showing the area of contact of the implant **I** and the vertebrae L_4 . It can be seen from FIG. **30** that the implant **I** has a true lateral orientation with respect to the vertebra L_4 , such that there is a great area of contact between the implant **I** and the vertebra L_4 .

Referring to FIG. **30A**, a top sectional view of a vertebra similar to FIG. **30** is shown illustrating the area of contact of the implant **I** and the vertebrae L_4 when the implant **I** is inserted with the "Lateral Method" of the present invention from a slightly anterior position (anterolateral) along the Lateral aspect of the spine and in an at least partially side to side direction.

Referring to FIGS. **31** and **32**, illustrating the prior art method, two implants **1050** and **1052** are inserted from the anterior or posterior aspect of the spine so that they are oriented in an anterior to posterior direction across the disc space **D** and vertebrae L_4 and L_5 . It can be seen that implants **1050** and **1052** must have a much smaller diameter than implant **I** to fit within the width of the spine and therefore have very small areas of engagement to the vertebrae themselves as most of the diameter of the implants is used in just spanning across the height of the disc before contacting said vertebrae.

FIG. **32** is a top sectional view along lines **32-32** of FIG. **31** showing the area of contact of the two spinal implants **1050** and **1052** and the vertebra L_5 .

Referring to FIG. **33**, a top sectional view showing the area of contact of a cylindrical spinal implant **1090** having the same diameter as implant **I** shown in FIG. **30**, inserted from the anterior to posterior direction across the vertebra L_5 is shown and seen to have by necessity a much shorter length.

Referring to FIGS. **30** and **32-33**, it can then be appreciated that an implant **I** inserted from the lateral aspect of the spine may have a diameter almost as great as the depth of the spine from front to back at that location unlike two implants such as implants **1050** and **1052** inserted side by side from front to back or the reverse where each implant can have a diameter no

greater than one half the width of the spine at that level. It can further be appreciated that while the height of the disc space itself hardly affects the area of contact of the single large implant I with the adjacent vertebrae, it substantially effects the area of contact of the two implants **1050** and **1052** inserted in the front to back directions side by side. Further, as the lumbar vertebrae and discs are much wider from side to side than they are deep from front to back, it can be appreciated that when single implants of the same diameter are inserted across a given lumbar disc, the laterally inserted implant I may be of a much greater length and thus have more area of contact, for stability and fusion than implant **1090** inserted from anterior to posterior.

Referring to FIG. **34**, a segment of the spinal column having single implants **1095** and **1096** inserted from front to back at adjacent disc levels between three vertebrae V_{1-3} is shown. As it can be seen in FIG. **34**, it is generally not possible to increase the diameter of singular implants inserted from front to back without risking severe structural and vascular damage to that area of the spine. Implants **1095** and **1096** each have a diameter that is substantially greater than the diameter of implant **1090**, such that implants **1095** and **1096** could in theory have a greater area of contact with the adjacent vertebrae than implant **1090**. However, in application, as a result of the larger diameter of the implants **1095** and **1096**, a large portion of bone from the adjacent vertebrae would have to be removed to accommodate the large diameter of each of the implants **1095** and **1096** which would significantly weaken the structural integrity of those vertebrae. This is especially a problem when as shown in FIG. **34**, implants **1095** and **1096** are inserted at adjacent disc levels such that the intermediate vertebrae V_2 would be cut in half to form a "butterfly" pattern resulting in the complete loss of the structural integrity of vertebrae V_2 .

Thus, the implant I of the present invention inserted laterally provides for greater surface area of contact, the largest volume of fusion promoting material, and the greatest mechanical engagement and thus stability, and is therefore an improvement upon other methods of implant insertion in facilitating a successful fusion.

Referring to FIG. **35**, an alternative embodiment of the extended outer sleeve is shown and generally referred to by the numeral **1100**. As only a single relatively small incision (approximately three inches or less) is required through the abdominal wall of the patient to perform the procedure for the fusion of two vertebrae adjacent a disc space in the lumbar spine, it is anticipated that the surgeon may prefer to perform the method of the present invention under direct vision, without the need for an endoscope. In such a circumstance, a convertible extended outer sleeve **1100** may be used. The convertible extended outer sleeve **1100** may be similar in structure to the extended outer sleeve **1000**, except that it comprises a hollow tubular member **1102** that is disengageable from the distal end portion **1104** of the convertible extended outer sleeve **1100**. As shown in FIG. **35** the extended outer sleeve **1100** has a detachable hollow tubular member **1102**. The vertebrae engaging distal end portion **1104** may be as shown in FIG. **35** or may be similar to the distal end shown previously in FIG. **7A**, such that the convertible extended outer sleeve **1100** may be useable throughout the spine.

The convertible extended outer sleeve **1100** is inserted in the disc space D and the adjacent vertebrae L_4 and L_5 as described above for the extended outer sleeve **1000**. Once the extension member **1120** is seated in the disc space D and the prongs **1112** and **1114** are engaged to the vertebrae L_4 and L_5 , the hollow tubular member **1102** may be dissociated from the distal end portion **1104** which remains engaged to the verte-

brae L_4 and L_5 . In this manner, if an incision is made to access the spine directly, the surgeon may access the disc space D through the distal end portion **1104** which is closer to the spine, without having to pass through the entire length of the convertible extended outer sleeve **1100**. With the distal end portion **1104** in place, the vertebrae remain distracted and aligned, and since the hollow tubular member **1102** has been removed, it is then possible for the surgeon to work in and around the spine under direct vision. The shortened distal end portion **1104** of the convertible extended outer sleeve **1100** left protruding from the adjacent vertebrae may be selected to be of a length such that it still serves to offer some protection to the large blood vessels which are safely positioned outside of the remaining working channel. Alternatively it can be of any length so as to fulfill the surgeon's purposes. The hollow tubular member **1102** may be re-engaged to the distal end portion **1104** for inserting an implant I in the manner described above.

In the specific embodiment of the convertible extended outer sleeve **1100**, the distal end portion **1104** has a single extension member **1120** and two prongs **1112** and **1114** positioned approximately 120 degrees from the extension member **1120** for engaging the two adjacent vertebrae L_4 and L_5 , for the purpose of allowing the surgeon direct access to the spinal canal. Thus, if a discectomy is to be performed, an extended outer sleeve having a single anterior intradiscal extended member **1120**, but without a posterior extended member, and with two vertebrae engaging prongs **1112** and **1114** may be used.

It is appreciated that for surgery on the thoracic spine, while the method described above wherein the entire procedure is performed through the extended outer sleeve **140** is preferred, it is also possible to utilize the convertible extended outer sleeve **1100** when a full thoracotomy is made to access the thoracic spine without having to work through the entire length of the extended outer sleeve. In this manner the surgeon may directly visualize and access the surgical site.

Further, combining the features of the absence of any posterior intradiscal extended member with the convertible extended outer sleeve **1100** permits easy and direct access to the spinal canal for removal of any diseased discal material.

While the present invention has been described in detail with regards to the preferred embodiments, it is appreciated that other variations of the present invention may be devised which do not depart from the inventive concept of the present invention.

I claim:

1. A kit for performing surgery through an incision in skin of a patient's body for accessing a disc space between two adjacent vertebrae located within a portion of one of a human thoracic or lumbar spine, the portion of one of the human thoracic or lumbar spine defined by the two adjacent vertebrae having an anterior aspect and a posterior aspect being divided by a first plane through transverse processes of the two adjacent vertebrae, the disc space having a depth measured from an anterior aspect to a posterior aspect of the disc space, each of the two adjacent vertebrae having a vertebral body having a transverse width perpendicular to the depth of the disc space, the incision being proximate an intersection of the skin and a path having an axis lying in a coronal plane passing through a lateral aspect and a medial aspect of the two adjacent vertebrae and anterior to the transverse processes, the kit comprising:

a first surgical instrument having a length for insertion into the body of the patient through the incision until proximate the disc space along the path and anterior to the transverse processes;

23

a second surgical instrument for insertion into the body of the patient through the incision and over at least a portion of the length of said first surgical instrument, said second surgical instrument having a distal end and an opposite proximal end and a length therebetween, said second surgical instrument having a passageway configured to receive a portion of the length of said first surgical instrument therein;

a third surgical instrument for insertion into the body of the patient through the incision and over at least a portion of the length of said second surgical instrument, said third surgical instrument having a distal end for insertion over said second surgical instrument and an opposite proximal end; a single elongated portion removably attachable to said distal end of said third surgical instrument, said single elongated portion having a length, a thickness, and a width, the length of said single elongated portion being greater than the width and the thickness of said single elongated portion, the width of said single elongated portion being greater than the thickness of said single elongated portion, said single elongated portion being tapered to facilitate entry between the vertebral bodies of the two adjacent vertebrae; and

an interbody intraspinal implant for insertion through said third surgical instrument into a laterally facing opening in said portion of one of the human thoracic or lumbar spine, said implant having an insertion end for insertion first into the laterally facing opening and a trailing end and a length therebetween, the length of said implant being sized to occupy substantially the full transverse width of the vertebral bodies of the two adjacent vertebrae, the length of said implant being greater than the depth of the disc space, said implant having opposed surfaces oriented toward each of the vertebral bodies of the two adjacent vertebrae when inserted therebetween, said opposed surfaces having bone engaging projections configured to engage the vertebral bodies of the two adjacent vertebrae, said implant having a maximum height between said bone engaging projections of said opposed surfaces and perpendicular to the length of said implant, the length of said implant being greater than the maximum height of said implant.

2. The kit of claim 1, further comprising a spinal fixation device for engagement to the adjacent vertebrae after said implant has been inserted into the laterally facing opening.

3. The kit of claim 2, wherein said spinal fixation device has a plate configured to cover at least a portion of said trailing end of said implant.

4. The kit of claim 1, further comprising a plate for engagement with the adjacent vertebrae to prevent unwanted excursion of said implant from the spine.

5. The kit of claim 4, wherein said plate includes a portion for attachment with a fastener to each of the adjacent vertebrae.

6. The kit of claim 4, further comprising a screw for engagement with said plate after said implant has been inserted into the laterally facing opening.

7. The kit of claim 1, further comprising a spinal fixation device for coupling to said implant and engagement with the adjacent vertebrae.

8. The kit of claim 1, in combination with fusion promoting substances.

9. A kit for performing surgery through an incision in skin of a patient's body for accessing a disc space between two adjacent vertebrae located within a portion of one of a human thoracic or lumbar spine, the portion of one of the human thoracic or lumbar spine defined by the two adjacent verte-

24

brae having an anterior aspect and a posterior aspect being divided by a first plane through transverse processes of the two adjacent vertebrae, the disc space having a depth measured from an anterior aspect to a posterior aspect of the disc space, each of the two adjacent vertebrae having a vertebral body having a transverse width perpendicular to the depth of the disc space, the incision being proximate an intersection of the skin and a path having an axis lying in a coronal plane passing through a lateral aspect and a medial aspect of the two adjacent vertebrae and anterior to the transverse processes, the kit comprising:

a first surgical instrument having a length for insertion into the body of the patient through the incision until proximate the disc space along the path and anterior to the transverse processes;

a second surgical instrument for insertion into the body of the patient through the incision and over at least a portion of the length of said first surgical instrument, said second surgical instrument having a distal end and an opposite proximal end and a length therebetween, said second surgical instrument having a passageway configured to receive a portion of the length of said first surgical instrument therein;

a third surgical instrument for insertion into the body of the patient through the incision and over at least a portion of the length of said second surgical instrument, said third surgical instrument having a distal end for insertion over said second surgical instrument and an opposite proximal end, said third surgical instrument having at least two elongated portions for insertion into the patient, each of said elongated portions having a length, a width, and a thickness, said length of each of said at least two elongated portions being greater than the width and the thickness of said at least two elongated portions, each of said at least two elongated portions have a cross section through the width and the thickness and perpendicular to the length of said at least two elongated portions, respectively, each cross section of said at least two elongated portions having a convex exterior surface, said convex surfaces of each of said at least two elongated portions having the same curvature; and

an interbody intraspinal implant for insertion through said third surgical instrument into a laterally facing opening in said portion of one of the human thoracic or lumbar spine, said implant having an insertion end for insertion first into the laterally facing opening and a trailing end and a length therebetween, the length of said implant being sized to occupy substantially the full transverse width of the vertebral bodies of the two adjacent vertebrae, the length of said implant being greater than the depth of the disc space, said implant having opposed surfaces oriented toward each of the vertebral bodies of the two adjacent vertebrae when inserted therebetween, said opposed surfaces having bone engaging projections configured to engage the vertebral bodies of the two adjacent vertebrae, said implant having a maximum height between said bone engaging projections of said opposed surfaces and perpendicular to the length of said implant, the length of said implant being greater than the maximum height of said implant.

10. The kit of claim 9, further comprising a spinal fixation device for engagement to the adjacent vertebrae after said implant has been inserted into the laterally facing opening.

11. The kit of claim 10, wherein said spinal fixation device has a plate configured to cover at least a portion of said trailing end of said implant.

25

12. The kit of claim 9, further comprising a plate for engagement with the adjacent vertebrae to prevent unwanted excursion of said implant from the spine.

13. The kit of claim 12, wherein said plate includes a portion for attachment with a fastener to each of the adjacent vertebrae.

14. The kit of claim 12, further comprising a screw for engagement with said plate after said implant has been inserted into the laterally facing opening.

15. The kit of claim 9, in combination with fusion promoting substances.

16. A kit for performing surgery through an incision in skin of a patient's body for accessing a disc space between two adjacent vertebrae located within a portion of one of a human thoracic or lumbar spine, the portion of one of the human thoracic or lumbar spine defined by the two adjacent vertebrae having an anterior aspect and a posterior aspect being divided by a first plane through transverse processes of the two adjacent vertebrae the disc space having a depth measured from an anterior aspect to a posterior aspect of the disc space, each of the two adjacent vertebrae having a vertebral body having a transverse width perpendicular to the depth of the disc space, the incision being proximate an intersection of the skin and a path having an axis lying in a coronal plane passing through a lateral aspect and a medial aspect of the two adjacent vertebrae and anterior to the transverse processes, the kit comprising:

a first surgical instrument having a length for insertion into the body of the patient through the incision and along the path and anterior to the transverse processes;

a second surgical instrument for insertion into the body of the patient through the incision and over at least a portion of said length of said first surgical instrument, said second surgical instrument having a distal end and an opposite proximal end and a length there between, said second surgical instrument having a passageway configured to receive a portion of said length of said first surgical instrument therein;

a third surgical instrument for insertion into the body of the patient through the incision and over at least a portion of the length of said second surgical instrument, said third surgical instrument having a distal end for insertion over said second surgical instrument and an opposite proximal end, said third surgical instrument having a first, a second, and a third elongated portion for insertion into the patient, each of said elongated portions having a length, a width, and a thickness, the length of said first elongated portion being greater than the width and the

26

thickness of said first elongated portion, the width of said first elongated portion being greater than the thickness of said first elongated portion, the width of said first elongated portion proximate said distal end of said third surgical instrument having a midpoint, the length of said second elongated portion being greater than the width and the thickness of said second elongated portion, the length of said third elongated portion being greater than the width and the thickness of said third elongated portion, each of said first, second, and third elongated portions having a cross section through the width and the thickness and perpendicular to the length thereof, each cross section of said first, second, and third elongated portions having a convex exterior surface, said convex exterior surfaces of each of said second and third elongated portions having the same curvature; and

an interbody intraspinal implant for insertion through said third surgical instrument into a laterally facing opening in said portion of one of the human thoracic or lumbar spine, said implant having an insertion end for insertion first into the laterally facing opening and a trailing end and a length therebetween, the length of said implant being sized to occupy the full transverse width of the vertebral bodies of the two adjacent vertebrae, the length of said implant being greater than the depth of the disc space, said implant having opposed surfaces oriented toward each of the vertebral bodies of the two adjacent vertebrae when inserted therebetween, said opposed surfaces having bone engaging projections configured to engage the vertebral bodies of the two adjacent vertebrae, said implant having a maximum height between said bone engaging projections of said opposed surfaces and perpendicular to the length of said implant, the length of said implant being greater than the maximum height of said implant.

17. The kit of claim 16, further comprising a spinal fixation device for engagement to the adjacent vertebrae after said implant has been inserted into the laterally facing opening.

18. The kit of claim 17, wherein said spinal fixation device has a plate configured to cover at least a portion of said trailing end of said implant.

19. The kit of claim 16, further comprising a plate for engagement with the adjacent vertebrae to prevent unwanted excursion of said implant from the spine.

20. The kit of claim 19, wherein said plate includes a portion for attachment with a fastener to each of the adjacent vertebrae.

* * * * *

UNITED STATES PATENT AND TRADEMARK OFFICE
CERTIFICATE OF CORRECTION

PATENT NO. : 8,758,344 B2
APPLICATION NO. : 13/596756
DATED : June 24, 2014
INVENTOR(S) : Gary Karlin Michelson

Page 1 of 2

It is certified that error appears in the above-identified patent and that said Letters Patent is hereby corrected as shown below:

Title Page 1:

Column 2, line 2: change "Moreira" to -- De G. Moreira --.

Title Page 3:

Column 2, line 71: change "Wobbier" to -- Wobbler --.

Title Page 4:

Column 1, line 40: change "Crawley at al." to -- Crawley et al. --;
Column 2, line 23: change "interbody" to -- Interbody --; and
Column 2, line 55: change "Spondyloclesis" to -- Spondylodesis --.

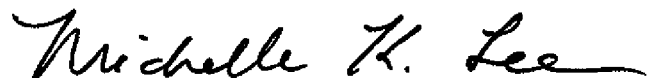
Title Page 5:

Column 1, line 10: change "Chemenuleolysis" to -- Chemonuleolysis --;
Column 1, line 29: change "1993:" to -- 1993; --;
Column 1, line 66: change "Sofarnor" to -- Sofamor --;
Column 1, line 69: change "7,470,236:" to -- 7,470,236; --;
Column 2, line 14: change "7,582,058:" to -- 7,582,058; --;
Column 2, line 15: change "L.R," to -- L.R. --;
Column 2, line 16: change "Inc.:" to -- Inc.; --;
Column 2, line 44: change "Solamor" to -- Sofamor --; and
Column 2, line 45: change "Nuvasive." to -- Nuvasive, --.

Title Page 6:

Column 1, line 9: change "M.D.," to -- M.D., --;
Column 1, line 48: change "Barnes. Walter" to -- Barnes, Walter --;
Column 1, line 53: change "Stabiliation" to -- Stabilization --;
Column 1, line 62: change "Suraery" to -- Surgery --;
Column 2, line 2: change ". American" to -- American --;
Column 2, line 4: change "et al.," to -- et al., --;

Signed and Sealed this
Twenty-seventh Day of January, 2015



Michelle K. Lee
Deputy Director of the United States Patent and Trademark Office

CERTIFICATE OF CORRECTION (continued)

U.S. Pat. No. 8,758,344 B2

Column 2, line 18: change “Cervical; Human” to -- Cervical Human --;

Column 2, line 29: change “Scoles. Peter” to -- Scoles, Peter --; and

Column 2, line 35: change “Seen an” to -- Seen on --.

Title Page 7:

Column 2, Line 7: change “08-CC-1512” to -- 08-CV-1512 --.