



US008323340B2

(12) **United States Patent**  
**Michelson**

(10) **Patent No.:** **US 8,323,340 B2**  
(45) **Date of Patent:** **\*Dec. 4, 2012**

(54) **ARTIFICIAL HEMI-LUMBAR INTERBODY SPINAL IMPLANT HAVING AN ASYMMETRICAL LEADING END**

(75) Inventor: **Gary K. Michelson**, Venice, CA (US)

(73) Assignee: **Warsaw Orthopedic, Inc.**, Warsaw, IN (US)

(\* ) Notice: Subject to any disclaimer, the term of this patent is extended or adjusted under 35 U.S.C. 154(b) by 366 days.

This patent is subject to a terminal disclaimer.

(21) Appl. No.: **12/315,991**

(22) Filed: **Dec. 9, 2008**

(65) **Prior Publication Data**

US 2009/0105821 A1 Apr. 23, 2009

**Related U.S. Application Data**

(63) Continuation of application No. 09/553,573, filed on Apr. 19, 2000, now Pat. No. 7,462,195.

(51) **Int. Cl.**  
**A61F 2/44** (2006.01)

(52) **U.S. Cl.** ..... **623/17.11**

(58) **Field of Classification Search** ..... 623/17.11-17.16  
See application file for complete search history.

(56) **References Cited**

**U.S. PATENT DOCUMENTS**

2,677,369 A	5/1954	Knowles
3,426,364 A	2/1969	Lumb
3,848,601 A	11/1974	Ma et al.
3,867,728 A	2/1975	Stubstad et al.
3,875,595 A	4/1975	Froning

3,905,047 A	9/1975	Long
D245,259 S	8/1977	Shen
4,070,514 A	1/1978	Eatherly
4,309,777 A	1/1982	Patil
4,349,921 A	9/1982	Kuntz
4,501,269 A	2/1985	Bagby
RE31,865 E	4/1985	Roux
4,599,086 A	7/1986	Doty
4,636,217 A	1/1987	Ogilvie et al.
4,714,469 A	12/1987	Kenna
4,743,256 A	5/1988	Brantigan

(Continued)

**FOREIGN PATENT DOCUMENTS**

DE 35 05 567 A1 5/1986

(Continued)

**OTHER PUBLICATIONS**

International Search Report mailed Aug. 14, 2000 from corresponding International PCT Application No. PCT/US00/1263, filed May 5, 2000; 1 page.\*

(Continued)

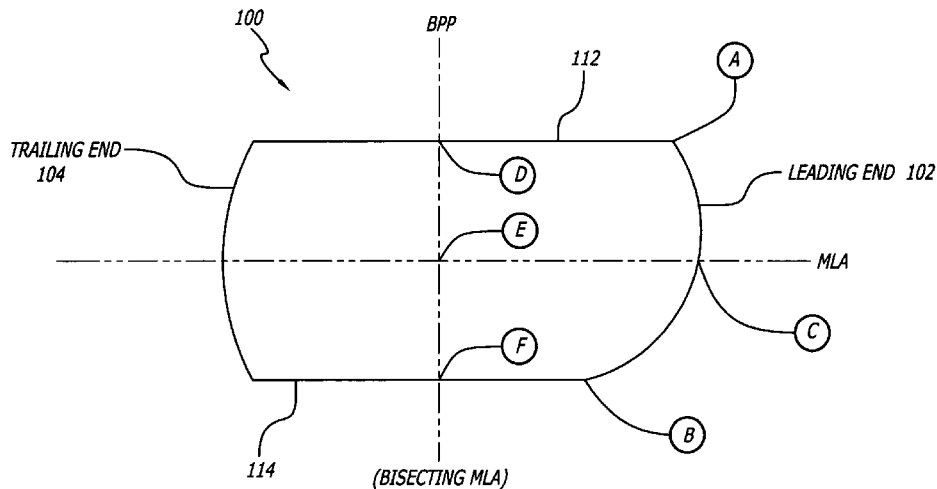
*Primary Examiner* — Bruce E Snow

(74) *Attorney, Agent, or Firm* — Martin & Ferraro, LLP

(57) **ABSTRACT**

An artificial interbody spinal implant adapted for placement across an intervertebral space formed across the height of a disc space between two adjacent vertebral bodies is disclosed. The implant has an asymmetrical leading end adapted to sit upon the more peripheral areas, such as the apophyseal rim and the apophyseal rim area, of the vertebral end plate region of the vertebral bodies without protruding therefrom. The asymmetrical leading end allows for the safe use of an implant of maximum length for the implantation space into which it is installed. The implant can also include an asymmetric trailing end adapted to sit upon the more peripheral areas of the vertebral end plate region of the vertebral bodies.

**20 Claims, 7 Drawing Sheets**



# US 8,323,340 B2

U.S. PATENT DOCUMENTS							
4,759,766	A	7/1988	Buettner-Janz et al.	6,039,762	A	3/2000	McKay
4,759,769	A	7/1988	Hedman et al.	D425,989	S	5/2000	Michelson
4,820,305	A	4/1989	Harms et al.	6,080,155	A	6/2000	Michelson
4,834,757	A	5/1989	Brantigan	6,083,228	A	7/2000	Michelson
4,863,476	A	9/1989	Shepperd	6,111,164	A	8/2000	Rainey et al.
4,863,477	A	9/1989	Monson	6,113,638	A	9/2000	Williams et al.
4,877,020	A	10/1989	Vich	6,120,503	A	9/2000	Michelson
4,878,915	A	11/1989	Brantigan	6,136,031	A	10/2000	Middleton
4,904,261	A	2/1990	Dove et al.	6,143,032	A	11/2000	Schafer et al.
4,911,718	A	3/1990	Lee et al.	6,159,214	A	12/2000	Michelson
4,936,848	A	6/1990	Bagby	6,174,311	B1	1/2001	Branch et al.
4,955,908	A	9/1990	Frey et al.	6,179,875	B1	1/2001	Von Stempel
4,961,740	A	10/1990	Ray et al.	6,200,347	B1	3/2001	Anderson et al.
5,015,247	A	5/1991	Michelson	6,206,922	B1	3/2001	Zdeblick et al.
5,015,255	A	5/1991	Kuslich	6,206,923	B1	3/2001	Boyd et al.
5,026,373	A	6/1991	Ray et al.	6,210,412	B1	4/2001	Michelson
5,047,055	A	9/1991	Bao	6,224,607	B1	5/2001	Michelson
5,055,104	A	10/1991	Ray	6,224,631	B1	5/2001	Kohrs
5,059,193	A	10/1991	Kuslich	6,231,610	B1	5/2001	Geisler
5,062,845	A	11/1991	Kuslich et al.	6,241,770	B1	6/2001	Michelson
5,071,437	A	12/1991	Steffee	6,241,771	B1	6/2001	Gresser et al.
5,122,130	A	6/1992	Keller	6,245,108	B1	6/2001	Biscup
5,123,926	A	6/1992	Pisharodi	6,258,125	B1	7/2001	Paul et al.
5,171,278	A	12/1992	Pisharodi	6,277,149	B1	8/2001	Boyle et al.
5,192,327	A	3/1993	Brantigan	6,294,041	B1	9/2001	Boyce et al.
5,246,458	A	9/1993	Graham	6,294,187	B1	9/2001	Boyce et al.
5,258,031	A	11/1993	Salib et al.	6,342,074	B1	1/2002	Simpson
5,290,312	A	3/1994	Kojimoto et al.	6,348,071	B1	2/2002	Steffee et al.
5,306,308	A	4/1994	Gross et al.	6,350,283	B1	2/2002	Michelson
5,306,309	A	4/1994	Wagner et al.	6,371,988	B1	4/2002	Pafford et al.
5,370,697	A	12/1994	Baumgartner	6,383,221	B1	5/2002	Scarborough et al.
5,397,364	A	3/1995	Kozak et al.	6,395,031	B1	5/2002	Foley et al.
5,423,855	A	6/1995	Marienne	6,398,811	B1	6/2002	McKay
5,425,772	A	6/1995	Brantigan	6,402,785	B1	6/2002	Zdeblick et al.
5,443,514	A	8/1995	Steffee	6,423,095	B1	7/2002	Van Hoeck et al.
5,458,638	A	10/1995	Kuslich et al.	6,468,311	B2	10/2002	Boyd et al.
5,484,437	A	1/1996	Michelson	6,482,233	B1	11/2002	Aebi et al.
5,489,307	A	2/1996	Kuslich et al.	6,482,584	B1	11/2002	Mills et al.
5,489,308	A	2/1996	Kuslich et al.	6,485,517	B1	11/2002	Michelson
5,507,813	A	4/1996	Dowd et al.	6,511,509	B1	1/2003	Ford et al.
5,522,899	A	6/1996	Michelson	6,530,955	B2	3/2003	Boyle et al.
5,534,031	A	7/1996	Matsuzaki et al.	6,562,072	B1	5/2003	Fuss et al.
5,571,109	A	11/1996	Bertagnoli	6,562,073	B2	5/2003	Foley
D377,527	S	1/1997	Michelson	6,572,654	B1	6/2003	Santilli
5,593,409	A	1/1997	Michelson	6,575,981	B1	6/2003	Boyd et al.
5,607,424	A	3/1997	Tropiano	6,610,065	B1	8/2003	Branch et al.
5,609,635	A	3/1997	Michelson	6,629,998	B1	10/2003	Lin
5,609,636	A	3/1997	Kohrs et al.	6,635,086	B2	10/2003	Lin
5,645,084	A	7/1997	McKay	6,666,890	B2	12/2003	Michelson
5,645,598	A	7/1997	Brosnahan, III	6,706,067	B2	3/2004	Shimp et al.
5,658,337	A	8/1997	Kohrs et al.	6,749,636	B2	6/2004	Michelson
5,669,909	A	9/1997	Zdeblick et al.	6,808,585	B2	10/2004	Boyce et al.
5,683,463	A	11/1997	Godefroy et al.	6,827,740	B1	12/2004	Michelson
5,702,449	A	12/1997	McKay	6,855,168	B2	2/2005	Crozet
5,741,253	A	4/1998	Michelson	6,890,355	B2	5/2005	Michelson
5,766,252	A	6/1998	Henry et al.	6,923,810	B1	8/2005	Michelson
5,772,661	A	6/1998	Michelson	6,984,245	B2	1/2006	McGahan et al.
5,776,199	A	7/1998	Michelson	6,989,031	B2	1/2006	Michelson
5,782,919	A	7/1998	Zdeblick et al.	7,022,137	B2	4/2006	Michelson
D397,439	S	8/1998	Koros et al.	7,048,762	B1	5/2006	Sander et al.
5,800,547	A	9/1998	Schäfer et al.	7,087,082	B2	8/2006	Paul et al.
5,800,550	A	9/1998	Sertich	7,115,146	B2	10/2006	Boyer
5,814,084	A	9/1998	Grivas et al.	7,156,875	B2	1/2007	Michelson
5,846,484	A	12/1998	Scarborough et al.	7,387,643	B2	6/2008	Michelson
5,860,973	A	1/1999	Michelson	7,435,262	B2	10/2008	Michelson
5,861,041	A	1/1999	Tienboon	7,455,692	B2	11/2008	Michelson
5,865,845	A	2/1999	Thalgott	7,462,195	B1	12/2008	Michelson
5,888,222	A	3/1999	Coates et al.	7,479,160	B2	1/2009	Branch et al.
5,888,226	A	3/1999	Rogozinski	7,534,254	B1	5/2009	Michelson
5,888,227	A	3/1999	Cottle	7,534,265	B1	5/2009	Boyd et al.
5,899,939	A	5/1999	Boyce et al.	7,540,882	B2	6/2009	Michelson
5,904,719	A	5/1999	Errico et al.	7,611,536	B2	11/2009	Michelson
5,906,635	A	5/1999	Maniglia	7,637,950	B2	12/2009	Baccelli et al.
5,972,368	A	10/1999	McKay	7,637,951	B2	12/2009	Michelson
5,989,289	A	11/1999	Coates et al.	7,637,954	B2	12/2009	Michelson
6,033,438	A	3/2000	Bianchi et al.	2001/0010020	A1	7/2001	Michelson
6,034,295	A	3/2000	Rehberg et al.	2001/0018614	A1	8/2001	Bianchi
6,037,519	A	3/2000	McKay	2001/0031254	A1	10/2001	Bianchi et al.
				2002/0116065	A1	8/2002	Jackson

2002/0193881	A1	12/2002	Shapiro et al.
2004/0064185	A1	4/2004	Michelson
2004/0210313	A1	10/2004	Michelson
2005/0216089	A1	9/2005	Michelson
2006/0235519	A1	10/2006	Michelson
2009/0270991	A1	10/2009	Michelson
2010/0030333	A1	2/2010	Michelson
2010/0145463	A1	6/2010	Michelson
2011/0208313	A1	8/2011	Michelson

## FOREIGN PATENT DOCUMENTS

EP	0 077 159	A1	4/1983
EP	0 179 695	A1	4/1986
EP	0 260 044	A1	3/1988
EP	0 307 241	A2	3/1989
EP	0 392 076	A1	10/1990
EP	0 577 179	A1	1/1994
EP	0 599 419	A2	6/1994
EP	0 627 204	A2	12/1994
EP	0 637 440	A1	10/1997
EP	0 834 295	A1	4/1998
ES	283078		5/1985
FR	2 724 312	A1	3/1993
FR	2 703 580	A1	10/1994
FR	2 761 879	A1	10/1998
JP	57-29348	A	2/1982
JP	61-122859	A	6/1986
JP	62-155846	A	7/1987
JP	5-269160	A	10/1993
WO	WO 92/14423	A1	9/1992
WO	WO 93/01771	A1	2/1993
WO	WO 95/08306		3/1995
WO	WO 95/08964	A2	4/1995
WO	WO 96/22747	A1	8/1996
WO	WO 96/40020	A1	12/1996
WO	WO 97/23174	A1	7/1997
WO	WO 97/23175	A1	7/1997
WO	WO 98/44877	A1	10/1998
WO	WO 98/48738	A1	11/1998
WO	WO 98/55052	A1	12/1998
WO	WO 99/63891		12/1999
WO	WO 00/07527		2/2000
WO	WO 00/74608		12/2000
WO	WO 01/28465		4/2001
WO	WO 01/68005		4/2001
WO	WO 01/62191		8/2001
WO	WO 01/68004		9/2001

## OTHER PUBLICATIONS

A picture of a Medtronic, Sofamor Danek Display; titled "Evolving With Your Needs" (Apr. 6, 2000).

Bagby, G.W.; *Arthrodesis by the Distraction-Compression Method Using a Stainless Steel Implant*; Orthopedics, vol. II, No. 6, pp. 931-934 (Jun. 1987).

Brochure of University of Florida Tissue Bank; MD-I and MD-II Custom Machine Cortical Dowels; (*Circa* 1996), prior to Apr. 19, 200.

Brochure of University of Florida Tissue Bank; MD-III Threaded Cortical Dowel; (*Circa* 1996), prior to Apr. 19, 200.

Butts, M.K., et al.; *Biomechanical Analysis of a New Method for Spinal Interbody Fixation*; 1987 Symposium, American Society of Mechanical Engineers, "Advances in Bioengineering", Boston, MA (Dec. 13-18, 1987).

Crawley et al.; *A Modified Cloward's Technique for Arthrodesis of the Normal Metacarpophalangeal Joint in the Horse*; *Veterinary Surgery*, vol. 17, No. 3, pp. 117-127 (1988).

Crock, H.V.; *Practice of Spinal Surgery*; Springer-Verlag/Wien, New York (1983), prior to Apr. 19, 200.

DeBowes, R.M., et al.; *Study of Bovine . . . Steel Baskets*; *Transactions of the 29th Annual Meeting; Orthopaedic Research Society*, vol. 8, p. 407, Mar. 8-10, 1983.

European Opposition Document, Nov. 27, 1995—Opposing EP Patent No. 425 542 B1 to Karlin Technology, Inc.

*Fusion of the Lumbar Spine; Anterior Monosegmental Fusion L5-S1, Atlas of Spinal Operations*, Thieme, pp. 270-274 (1993), prior to Apr. 19, 200.

Glazer, P.A., et al.; *Biomechanical Analysis of Multilevel Fixation Methods in the Lumbar Spine*; *Spine*, vol. 22, No. 2, pp. 171-182 (1997), prior to Apr. 19, 200.

International Search Report mailed on Aug. 15, 2001, of corresponding International Application No. PCT/US01/11723, filed Apr. 19, 2001.

Itoman, M., et al.; *Banked Bone grafting for Bone Defect Repair—Clinical Evaluation of Bone Union and Graft Incorporation*; *J. Jpn. Orthop. Assoc.* 62:461-469 (1988), prior to Apr. 19, 200.

*Laparoscopic Bone Dowel Instruments*; Brochure of Sofamor Danek (1995), prior to Apr. 19, 200.

*Laparoscopic Bone Dowel Surgical Technique*; Brochure of Sofamor Danek (1995), prior to Apr. 19, 200.

*Lumbar Spine Surgery, Techniques & Complications; History of Lumbar Spine Surgery*; pp. 11-15; 27; 30; 35-45; 265-268, (1994), prior to Apr. 19, 200.

Muschler, et al.; *The Biology of Spinal Fusion; Spinal Fusion Science and Technique*, Cotler and Cotler, pp. 9-13, (1990), prior to Apr. 19, 2000.

Otero-Vich, Jose M.; *Anterior Cervical Interbody Fusion with Threaded Cylindrical Bone*; *J. Neurosurg* 63:750-753 (Nov. 1985).

Ray, C.D.; *Spinal Interbody Fusions: A Review, Featuring New Generation Techniques*; *Neurosurgery Quarterly*, 7(2):135-156 (1997), prior to Apr. 19, 200.

Schmitz et al.; *Performance of Alloplastic Materials and Design of an Artificial Disc; the Artificial Disc*, Brock, Mayer, Weigel; pp. 23-34 (1991), prior to Apr. 19, 200.

Zindrick, et al.; *Lumbar Spine Fusion: Different Types and Indications; The Lumbar Spin*, vol. 1, Second Edition, pp. 588-593 (1996), prior to Apr. 19, 200.

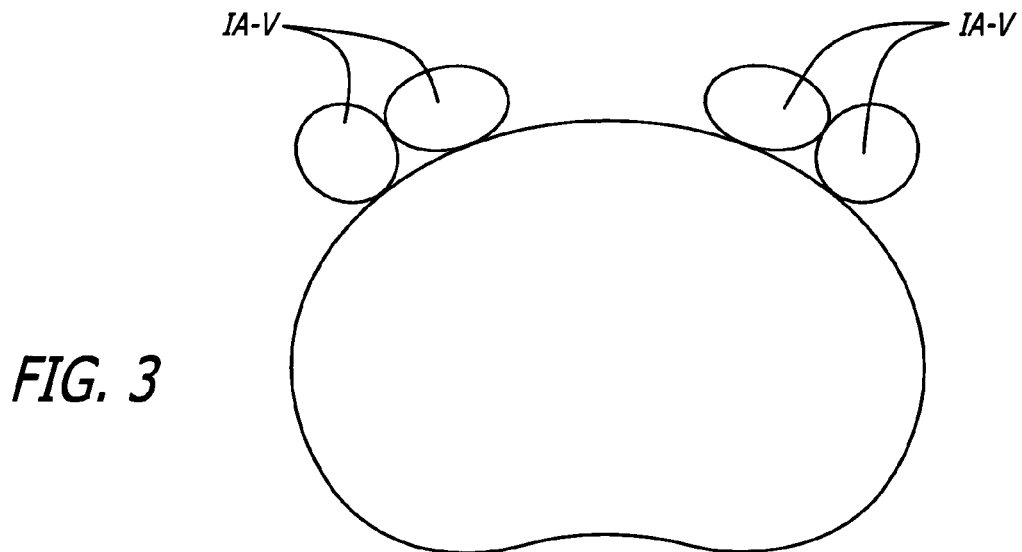
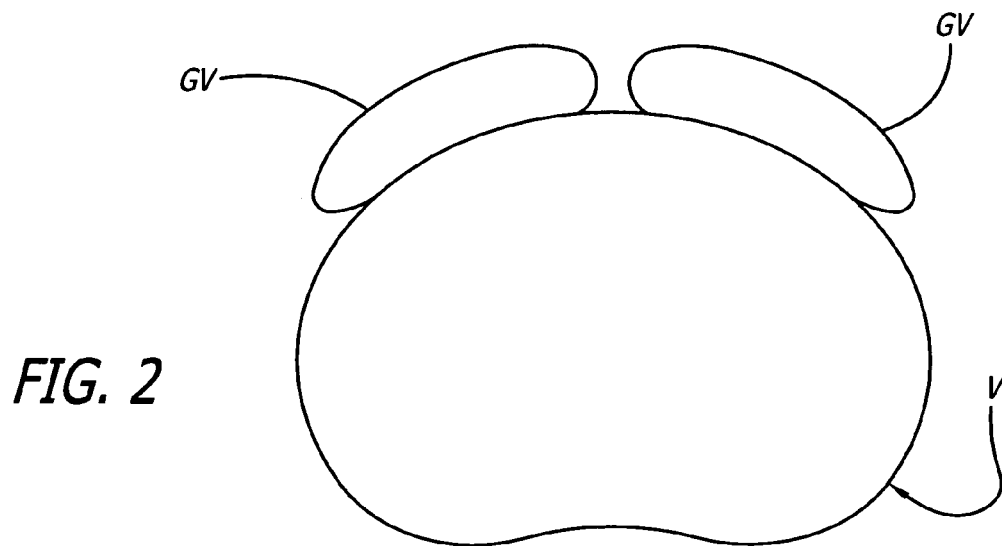
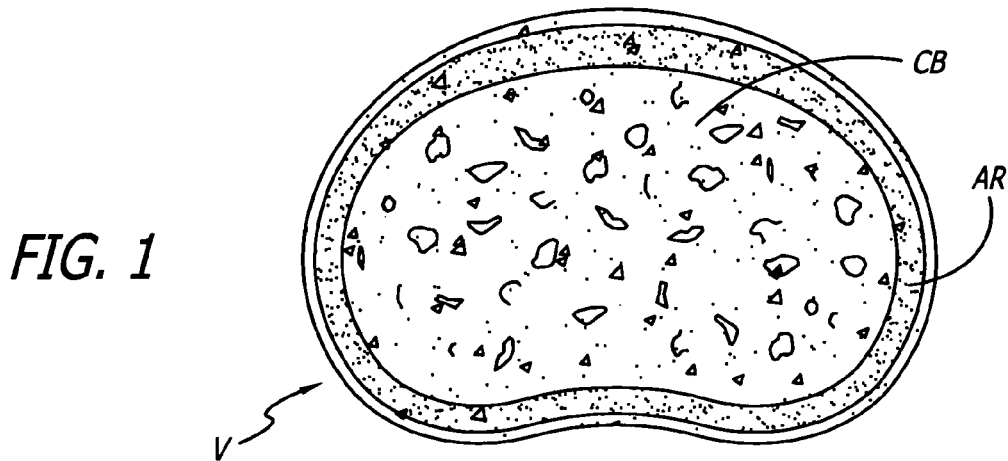
U.S. Appl. No. 60/115,388, filed Jan. 11, 1999; 80 pages.

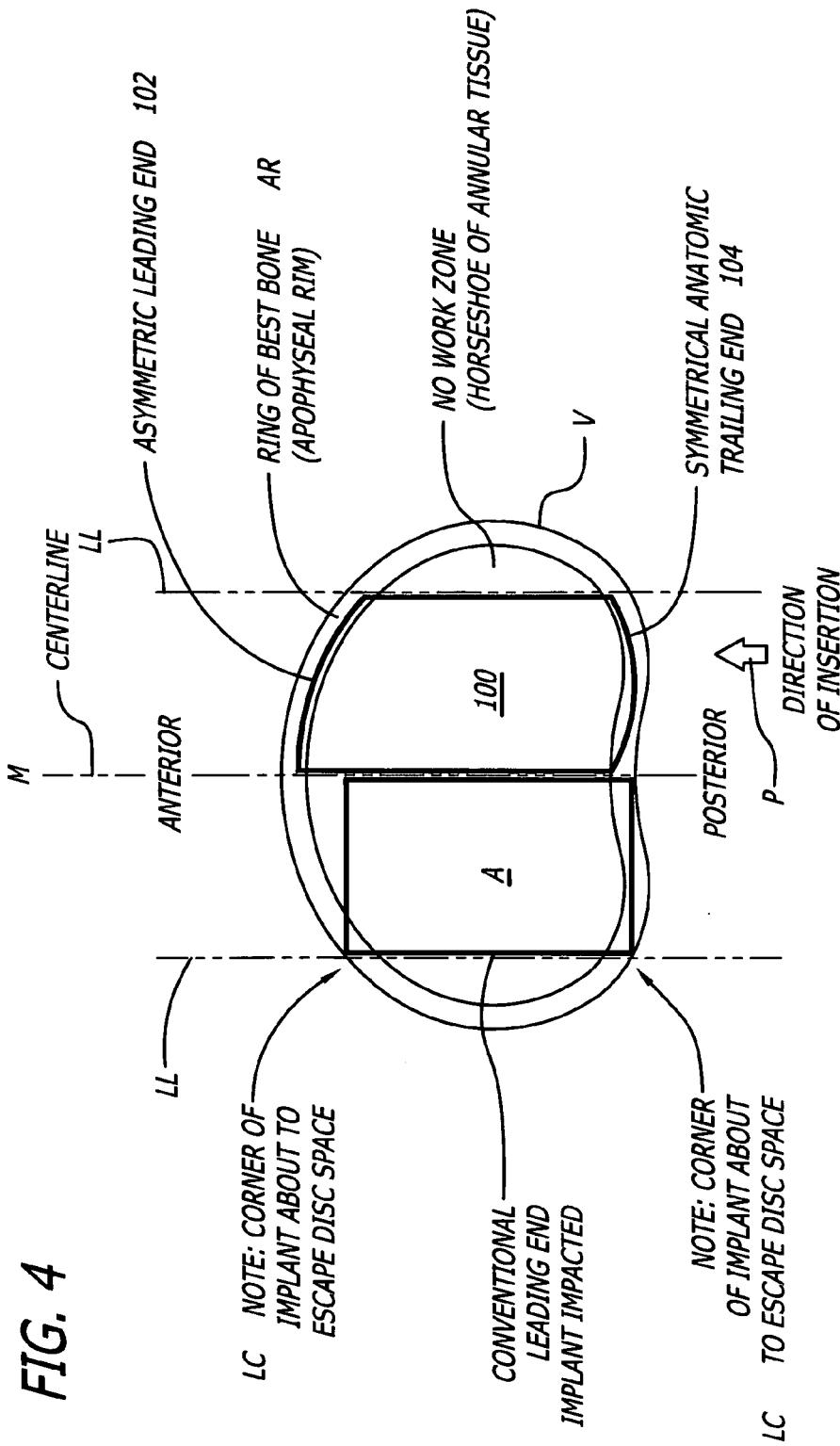
U.S. Appl. No. 60/118,793, filed Feb. 4, 1999; 41 pages.

International Search Report mailed Aug. 14, 2000 from corresponding International PCT Application No. PCT/US00/12363, filed May 5, 2000; 1 page.

RTI Precision Machined Allograft: *The Surgeon's Choice*, Brochure by Regeneration Technologies, Inc. (2000).

\* cited by examiner

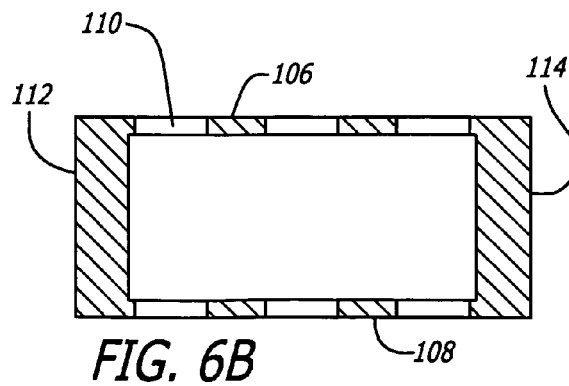
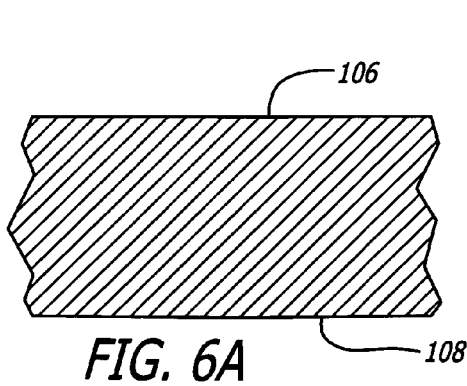
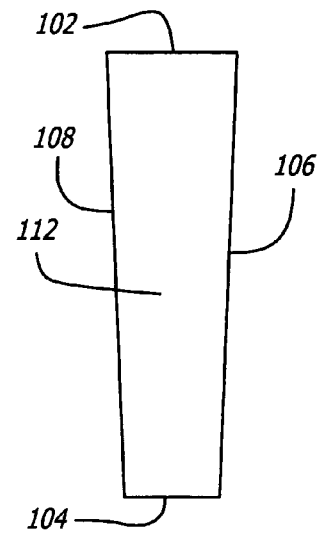
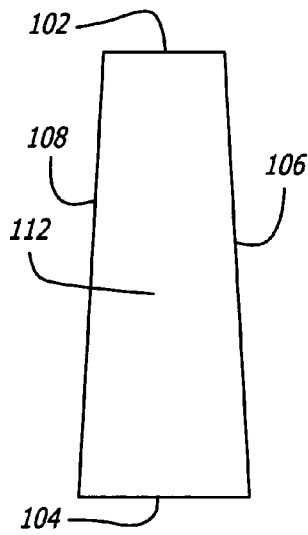
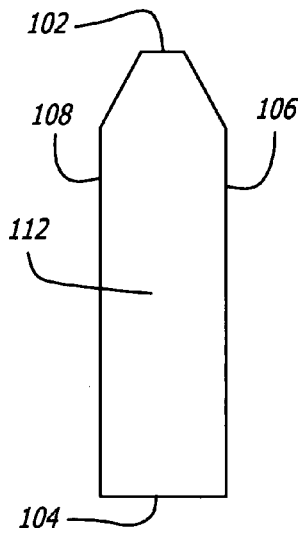
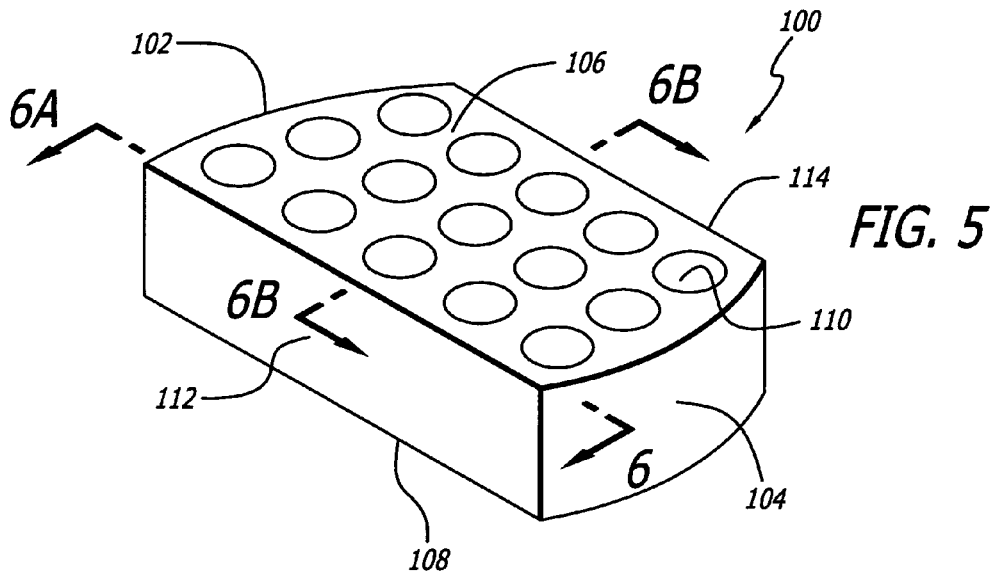




ANATOMIC LEADING END

NOTE: 1. INCREASED IMPLANT SIZE, SURFACE CONTACT & SUPPORT AREA AND VOLUME.

2. NOW SITS ON BEST BONE.



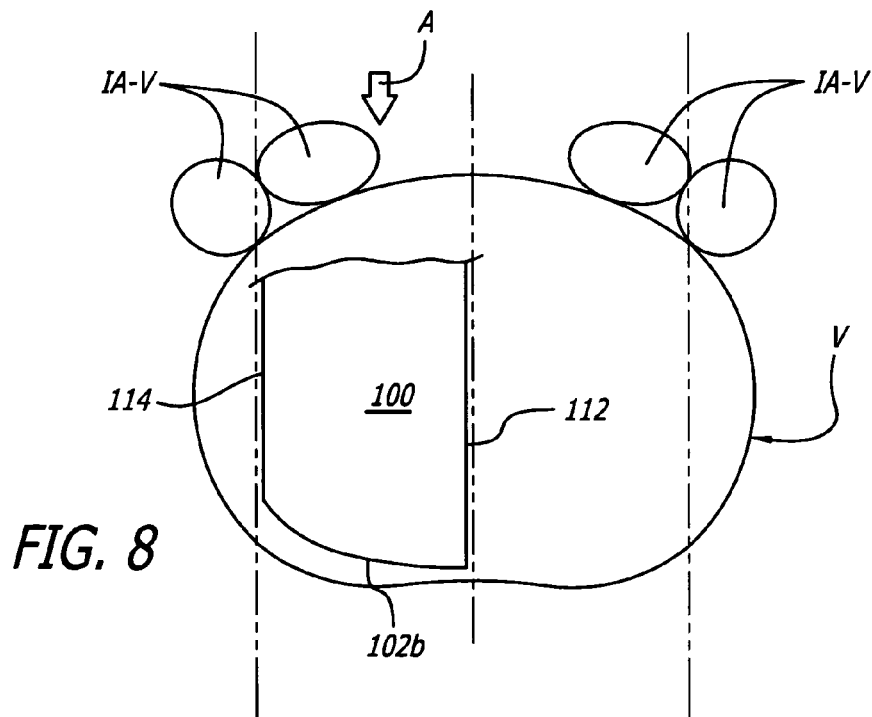
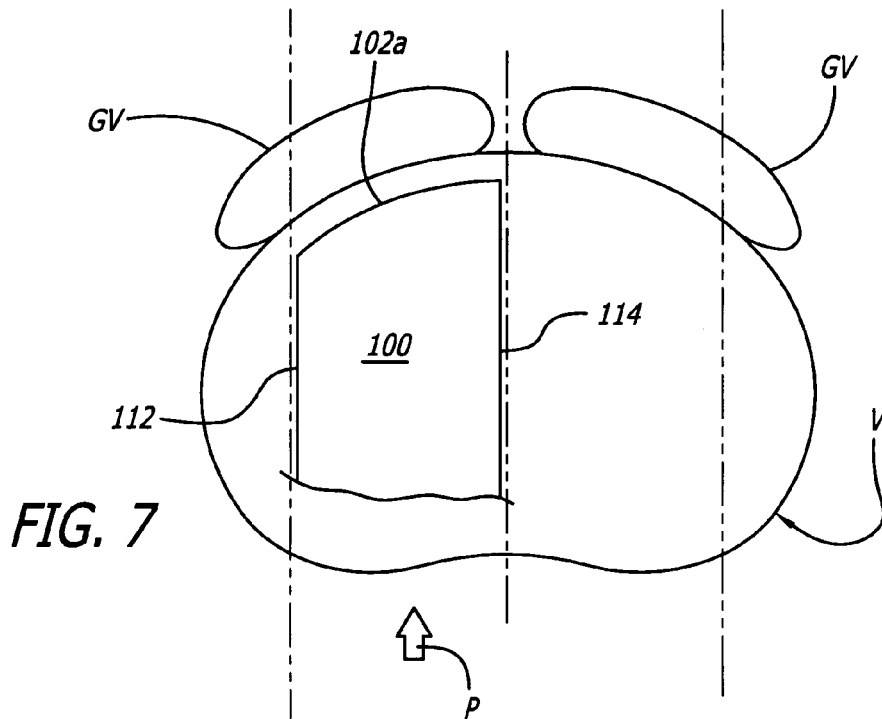
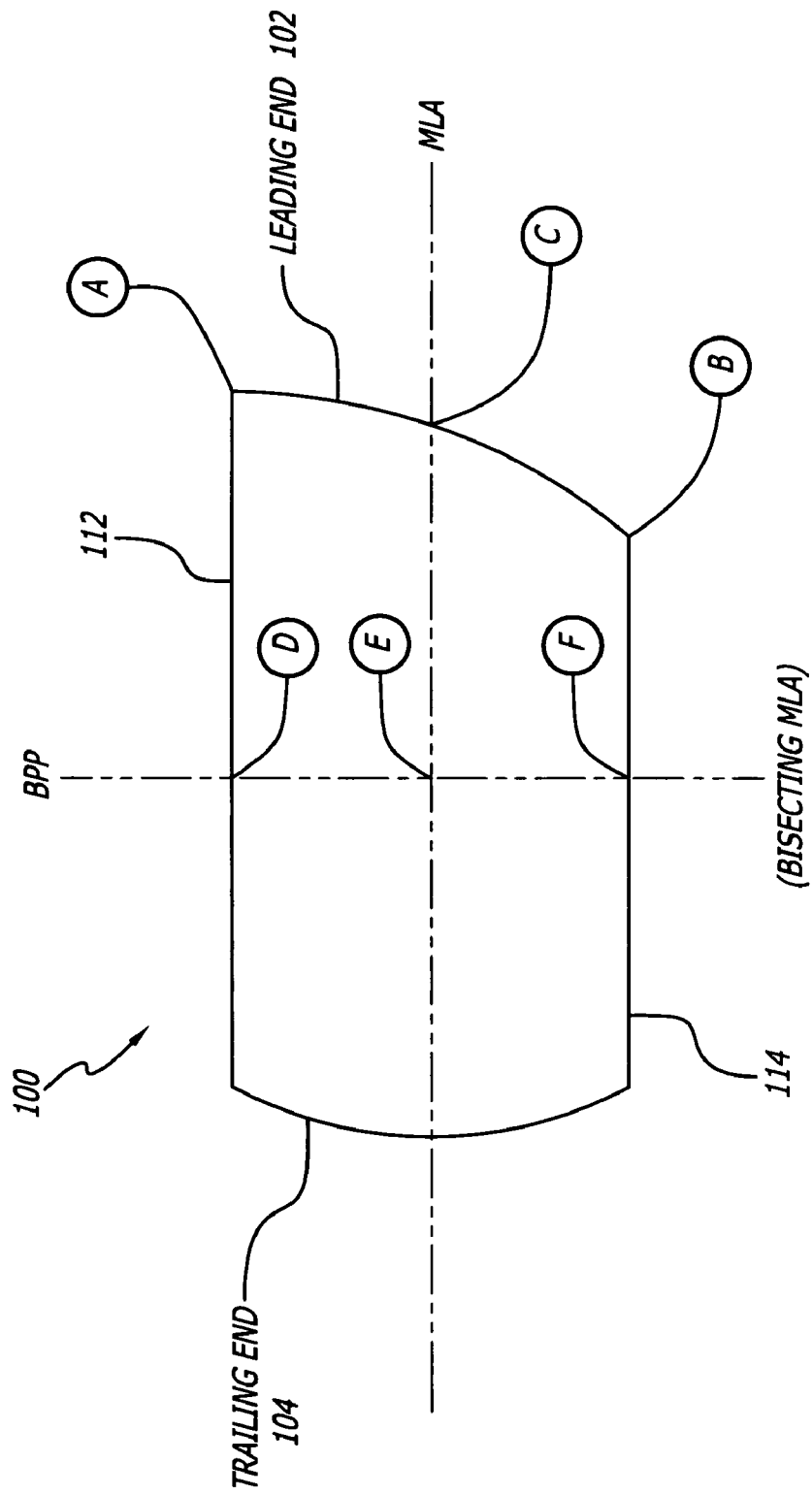


FIG. 9A







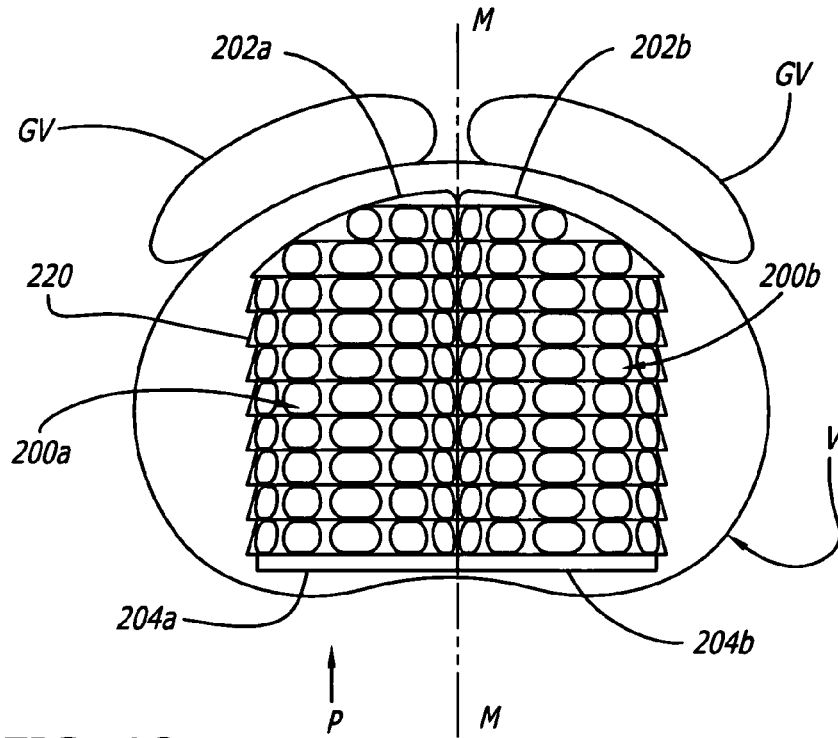


FIG. 10

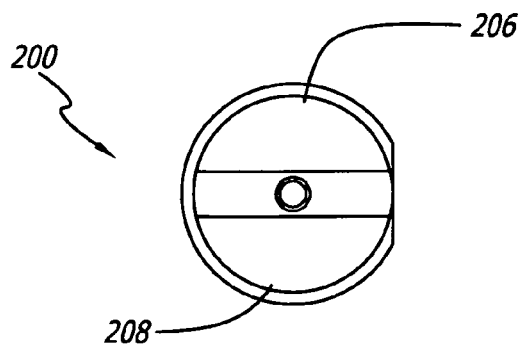


FIG. 11

**ARTIFICIAL HEMI-LUMBAR INTERBODY  
SPINAL IMPLANT HAVING AN  
ASYMMETRICAL LEADING END**

The present application is a continuation of U.S. application Ser. No. 09/553,573, filed Apr. 19, 2000 (now U.S. Pat. No. 7,462,195), which is incorporated herein by reference.

BACKGROUND OF THE INVENTION

1. Field of the Invention

The present invention relates generally to interbody spinal implants preferably adapted for placement in pairs side by side to either side of the midline with or without a space therebetween into a space created across the height of a disc space and between two adjacent vertebral bodies, after the removal of damaged spinal disc material, for the purpose of correcting spinal disease at that interspace. The spinal implants are made of an implant material that is other than bone and may or may not be resorbable. Where the implants are spinal fusion implants, they are adapted such that fusion occurs at least in part through the implants themselves. Where the implants are motion preserving for maintaining spinal motion, bone growth can occur at least in part into the spinal implants themselves, but not across them, and they are adapted to allow for relative motion between the vertebrae.

2. Description of the Related Art

Surgical interbody spinal fusion generally refers to the methods for achieving a bridge of bone tissue in continuity between adjacent vertebral bodies and across the disc space to thereby substantially eliminate relative motion between the adjacent vertebral bodies. The term "disc space" refers to the space between adjacent vertebral bodies normally occupied by a spinal disc.

Motion preserving implants maintain the spacing between the two adjacent vertebral bodies and allow for relative motion between the vertebrae. Bone growth from the adjacent vertebral bodies into the motion preserving implant, but not through the implant, anchors the implant to the adjacent vertebral bodies while preserving the relative motion between the vertebrae.

Spinal implants can have opposed upper and lower surfaces that are arcuate or non-arcuate transverse to the longitudinal axis of the implant along at least a portion of the length of the implant. Implants having arcuate opposed portions are adapted to be implanted across and beyond the height of the restored disc space, generally into a bore formed across the height of a disc space. Some of the advantages offered by implants with arcuate opposed portions include: 1) the installation of the implant into vascular bone made possible by the creation of a bore into the bone of the adjacent vertebral bodies; 2) the implant's geometric shape is easy to manufacture; 3) the implant can include external threads to facilitate insertion into the implantation space; and 4) the implant provides more surface area to contact the adjacent vertebral bodies than would a flat surface. Some disadvantages associated with implants having arcuate opposed portions include: 1) the creation of a bore into the adjacent vertebral bodies to form the implantation space results in a loss of the best structural bone of the vertebral endplate; 2) the implant needs to have a larger cross section to fill the prepared implantation site which may be more difficult to install, especially from a posterior approach; and 3) the width of the implant is generally related to the height of the implant, so if the implant is for example a cylinder, the width of the implant may be a limiting factor as to the height of the implant and therefore to the possible usefulness of the implant.

Implants having non-arcuate upper and lower opposed portions may be impacted into a space resembling the restored disc space and need only be placed against a "decorticated endplate." A decorticated endplate is prepared by the surgeon to provide access to the underlying vascular bone. Some of the advantages provided by implants having non-arcuate opposed portions include: 1) preserving the best bone in the endplate region; 2) the height of the implant is independent of its width; 3) the implant can be of a geometric shape and the opposed upper and lower surfaces can be flat; 4) the implants can be installed as part of a modular unit; and 5) the implants can provide a broad surface contact. Some of the disadvantages provided by implants having non-arcuate opposed portions include: 1) the implants cannot be threaded in and must be impacted into the installation space; and 2) the recipient site may be more difficult to prepare.

Human vertebral bodies have a hard outer shell of compacted dense cancellous bone (sometimes referred to as the cortex) and a relatively softer, inner mass of cancellous bone. Just below the cortex adjacent the disc is a region of bone referred to herein as the "subchondral zone". The outer shell of compact bone (the boney endplate) adjacent to the spinal disc and the underlying subchondral zone are together herein referred to as the boney "end plate region" and, for the purposes of this application, is hereby so defined. A circumferential ring of dense bone extends around the perimeter of the endplate region and is the mature boney successor of the "apophyseal growth ring". This circumferential ring is formed of very dense bone and for the purposes of this application will be referred to as the "apophyseal rim". For the purposes of this application, the "apophyseal rim area" includes the apophyseal rim and additionally includes the dense bone immediately adjacent thereto. The spinal disc that normally resides between the adjacent vertebral bodies maintains the spacing between those vertebral bodies and, in a healthy spine, allows for the normal relative motion between the vertebral bodies.

FIG. 1 of the attached drawings shows a cross-sectional top plan view of a vertebral body V in the lumbar spine to illustrate the dense bone of the apophyseal rim AR present proximate the perimeter of the vertebral body V about the endplate region and an inner mass of cancellous bone CB. The structure of the vertebral body has been compared to a core of wet balsa wood encased in a laminate of white oak. The apophyseal rim AR is the best structural bone and is peripherally disposed in the endplate of the vertebral body.

FIG. 2 is a top plan view of a fourth level lumbar vertebral body V shown in relationship anteriorly with the aorta and vena cava (collectively referred to as the "great vessels" GV). FIG. 3 is a top plan view of a first sacral level vertebral body V shown in relationship anteriorly with the iliac arteries and veins referred to by the designation "IA-V". Because of the location of these fragile blood vessels along the anterior aspects of the lumbar vertebrae, no hardware should protrude from between the vertebral bodies and into the great vessels GV and iliac arteries and veins IA-V.

Implants for use in human spinal surgery can be made of a variety of materials not naturally found in the human body. Such materials include surgical quality metals, ceramics, plastics and plastic composites, and other such materials suitable for the intended purpose. Further, these materials may be absorbable, bioactive such as an osteogenic material, or be adapted to deliver and/or contain fusion promoting substances such as any of bone morphogenetic protein, hydroxyapatite, and genes coding for the production of bone, and/or others. Fusion implants preferably have a structure designed to promote fusion of the adjacent vertebral bodies

by allowing for the growth of bone through the implant from vertebral body to adjacent vertebral body. This type of implant is intended to remain indefinitely within the patient's spine unless made of a resorbable or bioresorbable material such as bone that can be biologically replaced in the body over time such that it need not be removed as it is replaced over time and will no longer be there. Implants may be sized to have a width generally as great as the nucleus portion of the disc or as wide as the area between the limit lines LL as shown in FIG. 4. There are at least two circumstances where the use of such a wide implant is not desirable. Under these circumstances, the use of a pair of implants each having a width less than one half the width of the disc space to be fused is preferred. The first circumstance is where the implants are for insertion into the lumbar spine from a posterior approach. Because of the presence of the dural sac within the spinal canal, the insertion of a full width implant in a neurologically intact patient could not be performed from a posterior approach. The second circumstance is where the implants are for endoscopic, such as laproscopic, insertion regardless of the approach as it is highly desirable to minimize the ultimate size cross-sectionally of the path of insertion.

The ability to achieve spinal fusion is inter alia directly related to the vascular surface area of contact over which the fusion can occur, the quality and the quantity of the fusion mass, and the stability of the construct. The overall size of interbody spinal fusion implants is limited, however, by the shape of the implants relative to the natural anatomy of the human spine. For example, if such implants were to protrude from the spine they might cause injury to one or more of the proximate vital structures including the large blood vessels or neurological structures.

FIG. 4 shows a top plan view of the endplate region of a vertebral body V with the outline of a related art implant A and implant 100 of one embodiment of the present invention installed, one on each side of the centerline of the vertebral body V. The length and width of related art implant A is limited by its configuration and the vascular structures anteriorly (in this example) adjacent to the implantation space. The presence of limiting corners LC on the implant precludes the surgeon from utilizing an implant of this configuration having both the optimal width and length because the implant would markedly protrude from the spine.

Related art implants also fail to maximally sit over the best structural bone, which is located peripherally in the apophyseal rim of the vertebral body and is formed of the cortex and dense subchondral bone. The configurations of previous implants do not allow for maximizing both the vital surface area over which fusion could occur and the area available to bear the considerable loads present across the spine. Previous implant configurations do not allow for the full utilization of the apophyseal rim bone and the bone adjacent to it, located proximate the perimeter of the vertebral body to support the implants at their leading ends and to maximize the overall support area and area of contact for the implants. The full utilization of this dense peripheral bone would be ideal.

Therefore, there is a need for an interbody spinal fusion implant having opposed portions for placement toward adjacent vertebral bodies that is capable of fitting within the outer boundaries of the vertebral bodies between which the implant is to be inserted and to maximize the surface area of contact of the implant and vertebral bone. The implant should achieve this purpose without interfering with the great vessels or neurological structures adjacent to the vertebrae into which the implant is to be implanted. There exists a further need for an implant that is adapted for placement more fully on the

dense cortical bone proximate the perimeter of the vertebral bodies at the implant's leading end.

#### SUMMARY OF THE INVENTION

The present invention relates to an artificial spinal implant formed or manufactured prior to surgery and provided fully formed to the surgeon for use in interbody fusion made of an implant material other than bone that is appropriate for the intended purpose. The implant is of a width preferably sized to be used in pairs to generally replace all or a great portion of all of the width of the nucleus portion of the disc. To that end, the width of the implant is less than half of the width of the disc space. Preferably, the implant generally has parallel side walls and is used where it is desirable to insert an implant of enhanced length without the leading lateral wall protruding from the spine.

The interbody spinal implant of the present invention is for placement between adjacent vertebral bodies of a human spine across the height of disc space between those adjacent vertebral bodies. The implant preferably does not extend beyond the outer dimensions of the two vertebral bodies adjacent that disc space, and preferably maximizes the area of contact of the implant with the vertebral bone. In a preferred embodiment, the implant has a leading end configured to conform to the anatomic contour of at least a portion of the anterior, posterior, or lateral aspects of the vertebral bodies depending on the intended direction of insertion of the implant, so as to not protrude beyond the curved contours thereof. The implant has an asymmetrical leading end modified to allow for enhanced implant length without the corner of the leading end protruding out of the disc space. As used herein, the phrase "asymmetrical leading end" is defined as the leading end of the implant lacking symmetry from side-to-side along the transverse axis of the implant when the leading end is viewed from a top elevation.

The configuration of the leading end of the implant of the present invention allows for the safe use of an implant of maximum length for the implantation space into which it is installed. Benefits derived from a longer length implant include, but are not limited to, providing a greater surface area for contacting the vertebral bodies and for carrying bone growth promoting material at the implant surface, increased load bearing support, increased stability, and increased internal volume for holding fusion promoting material and the ability to have a portion of the implant rest upon the apophyseal rim, the best structural bone of the vertebral endplate region. These fusion promoting and bone growth promoting materials may be bone, bone products, bone morphogenetic proteins, mineralizing proteins, genetic materials coding for the production of bone or any other suitable material.

The spinal implant of the present invention may also include a trailing end opposite the leading end that is configured to conform to the anatomic contour of the anterior, posterior, or lateral aspects of the vertebral bodies, depending on the direction of insertion, so as not to protrude beyond the curved contours thereof. The present invention can benefit interbody spinal fusion implants having spaced apart non-arcuate opposed surfaces adapted to contact and support opposed adjacent vertebral bodies as well as implants having spaced apart arcuate opposed surfaces adapted to penetrably engage opposed vertebral bodies. As used herein, the term "arcuate" refers to the curved configuration of the opposed upper and lower portions of the implant transverse to the longitudinal axis of the implant along at least a portion of the implant's length.

5

In one embodiment of the present invention, an implant adapted for insertion from the posterior approach of the spine and for achieving better, safe filling of the posterior to anterior depth of the disc space between two adjacent vertebral bodies, and the possibility of having the leading end of the implant supported by the structurally superior more peripheral bone including the apophyseal rim and the bone adjacent to it, includes opposed portions adapted to be oriented toward the bone of the adjacent vertebral bodies, a leading end for inserting into the spine, and an opposite trailing end that may be adapted to cooperatively engage a driver. In the alternative, the implant may receive a portion of the driver through the trailing end to cooperatively engage the implant from within and/or at the implant trailing end. The leading end of this embodiment of the implant of the present invention is generally configured to conform to the natural anatomical curvature of the perimeter of the anterior aspect of the vertebral bodies, so that when the implant is fully inserted and properly seated within and across the disc space the implant contacts and supports a greater surface area of the vertebral bone in contact with the implant to provide all the previously identified advantages. Moreover, at the election of the surgeon, the implant of the present invention is configured to be able to be seated upon the more densely compacted bone about the periphery of the vertebral endplates for supporting the load through the implant when installed in or across the height of the intervertebral space.

Related art bone ring implants where the implant is a circle, oval, or oblong have trailing ends that are either modified to be squared-off, or unmodified so as to remain a portion of a circle, an oval, or an oblong and have a medial side wall that is incomplete due to a portion of the medullary canal interrupting the side wall. The present invention implants have an interior facing medial side wall adapted for placement medially within the disc space with the side wall intact and substantially in the same plane and an exterior facing lateral side wall opposite to the medial side wall adapted for placement laterally. The interior and exterior facing side walls have an inner surface facing each other. The implants of the present invention also may have a mid-longitudinal axis between the medial and lateral side walls wherein the mid-longitudinal axis at the leading end extends forward further than the lateral side wall at the leading end while the medial side wall is not equal in length to the lateral side wall, but is greater in length.

In another embodiment of the present invention, an implant for insertion from the anterior approach of the spine and for achieving better filling of the anterior to posterior depth of the disc space has a leading end generally configured to better conform to the natural anatomical curvature of the perimeter of the posterior aspect of the vertebral bodies and does not protrude laterally.

In yet another embodiment of the present invention, the implant has a trailing end that is either asymmetric or symmetric from side-to-side along the transverse axis of the implant. The trailing end may be adapted to conform to the anatomical contours of the anterior or posterior aspects of the vertebral bodies. For example, an implant for insertion from the posterior or anterior approach of the spine has a leading end that is generally configured to better conform to the natural anatomical curvature of at least one of the perimeter of the anterior and posterior aspects, respectively, of the vertebral bodies and a trailing end that is generally configured to conform to the natural anatomical curvature of the opposite one of the posterior and anterior aspects, respectively, of the vertebral bodies depending on the intended direction of insertion and that does not protrude laterally from the vertebral bodies. When the implant is fully seated and properly inserted

6

within and across the disc space, the surface area of the vertebral bone in contact with the implant is more fully utilized.

As another example, an implant in accordance with the present invention for insertion from a translateral approach to the spine and across the transverse width of the vertebral bodies has a leading end that is generally configured to better conform to the natural anatomical curvature of the perimeter of at least one of the lateral aspects, respectively, of the vertebral bodies. The implant also may have a trailing end that is generally configured to conform to the natural anatomical curvature of the opposite one of the lateral aspects, respectively, of the vertebral bodies depending on the intended direction of insertion. Implants for insertion from a translateral approach and methods for inserting implants from a translateral approach are disclosed in Applicant's U.S. Pat. Nos. 5,860,973 and 5,772,661, respectively, incorporated by reference herein.

The implant of the present invention is better able to sit upon the dense compacted bone about the perimeter of the vertebral bodies of the vertebral endplate region for supporting the load through the implant when installed in the intervertebral space. Where the spinal implant of the present invention is an interbody spinal fusion implant then it also may have at least one opening therethrough from the upper vertebral body contacting surface through to the lower vertebral body contacting surface. The opening allows for communication between the opposed upper and lower vertebrae engaging surfaces to permit for growth of bone in continuity from adjacent vertebral body to adjacent vertebral body through the implant for fusion across the disc space.

For any of the embodiments of the present invention described herein, the implant preferably includes protrusions or surface roughenings for engaging the bone of the vertebral bodies adjacent to the implant. The material of the implant is an artificial material such as titanium or one of its implant quality alloys, cobalt chrome, tantalum, or any other metal appropriate for surgical implantation and use as an interbody spinal fusion implant, or ceramic, or composite including various plastics, carbon fiber composites, or coral, and can include artificial materials which are at least in part bioresorbable. The implants may further include osteogenic materials such as bone morphogenetic proteins, or other chemical compounds, or genetic material coding for the production of bone, the purpose of which is to induce or otherwise encourage the formation of bone or fusion.

Bone for use as the base material used to form the implant is specifically excluded from the definition of artificial materials for the purpose of this application. Where the implants are for spinal fusion, it is appreciated that they may be adapted to receive fusion promoting substances within them such as cancellous bone, bone derived products, or others.

It is appreciated that the features of the implant of the present invention as described herein are applicable to various embodiments of the present invention including implants having non-arcuate or arcuate upper and lower opposed portions adapted to be oriented toward the bone of the adjacent vertebral bodies.

#### BRIEF DESCRIPTION OF THE DRAWINGS

FIG. 1 is a top plan view of a horizontal cross-section through a boney endplate region of a vertebral body.

FIGS. 2-3 are top plan views of the fourth lumbar and first sacral vertebral bodies, respectively, in relationship to the blood vessels located anteriorly thereto.

7

FIG. 4 is a top plan view of an endplate region of a vertebral body with a prior art implant on the left side of the center line and an implant in accordance with one embodiment of the present invention on the right side of the centerline inserted from the posterior aspect of the spine.

FIG. 5 is a side perspective view of the outline of an implant in accordance with one embodiment of the present invention.

FIG. 5A is a side elevational view of an implant having a tapered leading end in accordance with an embodiment of the present invention.

FIG. 5B is a side elevational view of an implant having opposed portions that are generally in a converging relationship to each other from a trailing end to a leading end of the implant in accordance with an embodiment of the present invention.

FIG. 5C is a side elevational view of an implant having opposed portions that are generally in a diverging relationship to each other from a trailing end to a leading end of the implant in accordance with an embodiment of the present invention.

FIG. 6A is a partial enlarged fragmentary view along line 6A-6A of FIG. 5.

FIG. 6B is a partial enlarged fragmentary view along line 6B-6B of FIG. 5.

FIG. 7 is a top plan view of a lumbar vertebral body in relationship to the blood vessels located proximate thereto and an implant in accordance with one embodiment of the present invention inserted from the posterior aspect of the vertebral body.

FIG. 8 is a top plan view of a lumbar vertebral body in relationship to the blood vessels located proximate thereto and an implant in accordance with one embodiment of the present invention inserted from the anterior aspect of the vertebral body.

FIG. 9A is a top plan view of an implant in accordance with one embodiment of the present invention illustrating the mid-longitudinal axis and a plane bisecting the mid-longitudinal axis along the length of the implant.

FIG. 9B is a top plan view of an implant in accordance with another embodiment of the present invention illustrating the mid-longitudinal axis and a plane bisecting the mid-longitudinal axis along the length of the implant.

FIG. 10 is a top plan view of a lumbar vertebral body in relationship to the blood vessels located proximate thereto and an implant having arcuate upper and lower opposed portions in accordance with an embodiment of the present invention inserted from the posterior aspect of the vertebral body.

FIG. 11 is a trailing end view of a spinal implant shown in FIG. 10.

#### DETAILED DESCRIPTION OF THE INVENTION

FIG. 4 shows an embodiment of the present invention comprising an interbody spinal implant generally referred by the numeral 100, inserted in the direction of arrow P from the posterior aspect of a vertebral body V on one side of the centerline M in the lumbar spine. Implant 100 has a leading end 102 for insertion into the disc space and an opposite trailing end 104. In a preferred embodiment, leading end 102 is configured to not extend beyond the outer dimensions of the two vertebral bodies adjacent the disc space proximate leading end 102 after implant 100 is installed, to maximize the area of contact of the implant with the vertebral bone. Leading end 102 could be described as being generally configured to generally conform to at least a portion of the natural anatomical curvature of the aspect of the vertebral bodies adjacent the disc space proximate leading end 102 after implant 100 is

8

installed. The general configuration of leading end 102 is further described in connection with FIGS. 9A and 9B below.

As shown in FIGS. 7 and 8, depending on the direction of insertion, for example, when implant 100 is installed in the direction of arrow P from the posterior aspect of the vertebral body V, leading end 102a is adapted to conform to at least a portion of the anterior aspect of the vertebral body V. When implant 100 is installed in the direction of arrow A from the anterior aspect of vertebral body V, leading end 102b is adapted to conform to at least a portion of the posterior aspect of vertebral body V. Trailing end 104 may be symmetrical or asymmetrical from side-to-side along the transverse axis of the implant and can conform to at least a portion of the natural curvature of the aspect of vertebral body V opposite to leading end 102. Trailing end 104 may or may not be configured to conform to the aspect of vertebral body V proximate trailing end 104 after implant 100 is installed. Trailing end 104 need only have a configuration suitable for its intended use in the spine.

As shown in FIGS. 5, 6A, and 6B, implant 100 has opposed portions 106 and 108 that are adapted to contact and support adjacent vertebral bodies when inserted across the intervertebral space. In this embodiment, opposed portions 106, 108 have a non-arcuate configuration transverse to the longitudinal axis of implant 100 along at least a portion of the length of implant 100. Opposed portions 106, 108 are spaced apart and connected by an interior side wall 112 and an exterior side wall 114 opposite interior side wall 112. Interior side wall 112 is the portion of implant 100 adapted to be placed toward another implant when implant 100 is inserted in pairs into the disc space between the adjacent vertebral bodies to be fused. Interior side wall 112 is not the internal surface of a hollow interior of implant 100. Exterior side wall 114 is adapted to be placed into the disc space nearer to the perimeter of the vertebral bodies than interior side wall 112. Side walls 112, 114 may also include at least one opening for permitting the growth of bone therethrough.

Preferably, each of the opposed portions 106, 108 have at least one opening 110 in communication with one another to permit for the growth of bone in continuity from adjacent vertebral body to adjacent vertebral body and through implant 100. Implant 100 may further be hollow or at least in part hollow. Implant 100 may also include surface roughenings on for example, at least a portion of opposed portions 106, 108 for engaging the bone of the adjacent vertebral bodies.

In another preferred embodiment, the opposed portions of the implant can be in moveable relationship to each other to allow for relative motion of the adjacent vertebral bodies after the implant is installed.

As illustrated in FIG. 9A, implant 100 has a mid-longitudinal axis MLA along its length. Mid-longitudinal axis MLA is bisected by a plane BPP perpendicular to and bisecting the length of implant 100 along the mid-longitudinal axis MLA. Implant 100 has a first distance as measured from point C at leading end 102 to bisecting perpendicular plane BPP at point E that is greater than a second distance as measured from bisecting perpendicular plane BPP at point F to the junction of leading end 102 and exterior side wall 114 at point B. Implant 100 has a third distance as measured from point A at the junction of leading end 102 and interior side wall 112 to bisecting perpendicular plane BPP at point D that is greater than the second distance as measured from point F to point B. While in the preferred embodiment as shown in FIG. 9A, the third distance from points A to D is illustrated as being longer than the first distance from points C to E, the third distance can be equal to or less than the first distance, such as shown in FIG. 9B. In a preferred embodiment, the first distance mea-

sured from points C to E is greater than the second distance measured from points B to F; the third distance measured from points A to D can be less than the first distance measured from points C to E; and the third distance measured from points A to D does not equal the second distance measured from points B to F.

In a preferred embodiment of the present invention, when implant **100** is inserted between two adjacent vertebral bodies, implant **100** is contained completely within the vertebral bodies so as not to protrude from the spine. Specifically, the most lateral aspect of the implanted implant at the leading end has been relieved, foreshortened, or contoured so as to allow the remainder of the implant to be safely enlarged so as to be larger overall than the prior implants without the leading end lateral wall protruding from the disc space. Although overall enlargement of the implant is a preferred feature of one embodiment of the present invention, it is not a requisite element of the invention.

While a preferred embodiment of the present invention has been illustrated and described herein in the form of an implant having non-arcuate upper and lower portions along a portion of the length of the implant, another preferred embodiment of the present invention as best shown in FIG. **10** includes an implant having arcuate upper and lower portions along at least a portion of the length of the implant. All of the features described in association with the non-arcuate embodiments are equally applicable to the arcuate embodiments of the present invention.

FIGS. **10-11** show two interbody spinal implants generally referred to by the numeral **200**, inserted in the direction of arrow P from the posterior aspect of a vertebral body V, one on either side of the centerline M in the lumbar spine. Implant **200** is non-threaded and is configured for linear insertion into the disc space in a direction along the mid-longitudinal axis of implant **200**. Implant **200** has a leading end **202** for insertion into the disc space and an opposite trailing end **204**. In a preferred embodiment, leading end **202** is configured to not extend beyond the outer dimensions of the two vertebral bodies adjacent the disc space proximate leading end **202** after implant **200** is installed, to maximize the area of contact of the implant with the vertebral bone. Leading end **202** could be described as being generally configured to generally conform to at least a portion of the natural anatomical curvature of the aspect of the vertebral bodies adjacent the disc space proximate leading end **202** after implant **200** is installed. In a preferred embodiment, less than half of asymmetric leading end **202** is along a line perpendicular to the mid-longitudinal axis of the implant in a plane dividing the implant into an upper half and a lower half.

In a further preferred embodiment of either arcuate or non-arcuate implants, more than half of the leading end can be a contour that goes from the exterior side wall toward the mid-longitudinal axis of the implant in the plane dividing the implant into an upper half and a lower half. In another preferred embodiment of either arcuate or non-arcuate implants, the leading end includes a curve that extends from the exterior side wall beyond the mid-longitudinal axis of the implant. The more pronounced curve of the leading end of the implant of the present invention as compared to the chamfer of related art implants advantageously provides for closer placement of the implant's leading end to the perimeter of the vertebral body, without the limiting corner protruding therefrom, to more fully utilize the dense cortical bone in the perimeter of the vertebral bodies. The configuration of the implant of the present invention provides the use of an implant having a longer overall length as measured from leading end to trailing end for a better fill of the disc space. Implant **200** has opposed

portions **206** and **208** that are arcuate transverse to the longitudinal axis of implant **200** along at least a portion of the length of implant **200** and are adapted to contact and support adjacent vertebral bodies when inserted across the intervertebral space and into the vertebral bodies. Implant **200** can further include protrusions or surface roughenings such as ratchetings **220** for enhancing stability. Surface roughenings may also include ridges, knurling and the like.

The present invention is not limited to use in the lumbar spine and is useful throughout the spine. In regard to use in the cervical spine, by way of example, in addition to various blood vessels the esophagus and trachea also should be avoided.

Further, the implant of the present invention preferably includes non-arcuate opposed surface portions that are either generally parallel to one another along the length of the implant or in angular relationship to each other such that the opposed surfaces are closer to each other proximate one end of the implant than at the longitudinally opposite other. For example, at least a portion of the opposed surfaces may be in a diverging relationship to each other from the trailing end to the leading end for allowing angulation of the adjacent vertebral bodies relative to each other. Alternatively, at least a portion of the opposed surfaces may be generally in a converging relationship to each other from the trailing end to the leading end for allowing angulation of the adjacent vertebral bodies relative to each other. The spinal implant of the present invention allows for a variable surface, or any other configuration and relationship of the opposed surfaces.

Implant **100** may be adapted to cooperatively engage a driver instrument for installation of the implant into the recipient site. For example, in a preferred embodiment trailing end **104** may be configured to complementary engage an instrument for driving implant **100**.

While the exact contour and/or curvature of a particular vertebral body may not be known, the teaching of having the implant leading end be arcuate or truncated along one side (the lateral leading end) or from side to side so as to eliminate the length limiting lateral leading corner LC or the side wall or lateral aspect junction to the implant leading end is of such benefit that minor differences do not detract from its utility. Further, the range of describable curvatures may be varied proportionately with the size of the implants as well as their intended location within the spine and direction of insertion to be most appropriate and is easily determinable by those of ordinary skill in the art.

Generally for use in the lumbar spine, when the leading end of the implant is a portion of a circle then the arc of radius of the curvature of the leading end of the implant should be from 10-30 mm to be of greatest benefit, though it could be greater or less, and still be beneficial. The same is true for the cervical spine where the arc of radius is preferably 8-20 mm. While particular preferred embodiments of the present invention have been shown and described, it will be obvious to those skilled in the art that changes and modifications may be made without departing from this invention in its broader aspects.

While specific innovative features were presented in reference to specific examples, they are just examples, and it should be understood that various combinations of these innovative features beyond those specifically shown are taught such that they may now be easily alternatively combined and are hereby anticipated and claimed.

What is claimed is:

1. An artificial interbody spinal implant for insertion at least in part across the surgically corrected height of a disc space between adjacent vertebral bodies of a human spine, the

11

vertebral bodies having an anterior aspect and a posterior aspect, said implant having a structure comprising:

a leading end for insertion first into the disc space, a trailing end opposite said leading end, and therebetween a length along a mid-longitudinal axis of said implant, said leading end being asymmetrical;

opposed portions between said leading and trailing ends adapted to be placed within the disc space to contact and support the adjacent vertebral bodies, said opposed portions being non-arcuate along at least a portion of the length of said implant, said opposed portions having at least one opening therein, said structure being formed at least in part of a base material other than bone, said material comprising at least one of surgical quality titanium and its alloys, cobalt chrome alloy, tantalum, any metal or alloy suitable for the intended purpose, any ceramic material suitable for the intended purpose, and any plastic or composite material suitable for the intended purpose, said openings being in communication with one another to permit for the growth of bone from adjacent vertebral body to adjacent vertebral body through said implant;

an interior facing side wall, an exterior facing side wall opposite said interior side wall, and a width therebetween, said width of said implant being less than approximately one-half of the maximum width of the adjacent vertebral bodies into which said implant is adapted to be inserted, said interior and exterior side walls extending between said opposed portions and said leading and trailing ends, said interior side wall adapted to be oriented toward another implant when inserted within the disc space, said exterior facing side wall including a straight portion along the length of said implant, said trailing end being curved across a majority of the width of said implant;

a first distance as measured along the mid-longitudinal axis of said implant from an intersection of said leading end and the mid-longitudinal axis of said implant to an intersection of the mid-longitudinal axis of said implant and a plane perpendicular to and bisecting the length along the mid-longitudinal axis of said implant, said first distance being greater than a second distance as measured along the mid-longitudinal axis of said implant from an intersection of said perpendicular plane and said exterior side wall to a junction of said leading end and said exterior side wall; and

a third distance as measured along the mid-longitudinal axis of said implant from a junction of said leading end and said interior side wall to an intersection of said interior side wall and said perpendicular plane, said third distance being greater than said second distance, said first distance being greater than said third distance, said leading end including a curved portion extending from the junction of said leading end and said exterior side wall to at least the intersection of said leading end and the mid-longitudinal axis of said implant.

2. The implant of claim 1, wherein said leading end is at least in part non-linear.

3. The implant of claim 1, wherein more than half of said leading end is a curve that extends from said exterior side wall toward the mid-longitudinal axis of said implant in a plane dividing said implant into an upper half and a lower half.

4. The implant of claim 1, wherein said leading end includes a curve that extends from said exterior side wall beyond the mid-longitudinal axis of said implant.

5. The implant of claim 1, further comprising a plurality of surface roughenings for engaging the adjacent vertebral bod-

12

ies and for maintaining said implant in place, said surface roughenings being present on at least a part of said opposed portions.

6. The implant of claim 1, in combination with a fusion promoting material other than bone.

7. The implant of claim 1, wherein at least a portion of said implant is bioresorbable.

8. The implant of claim 1, further in combination with bone morphogenetic protein.

9. The implant of claim 1, further in combination with an osteogenic material.

10. The implant of claim 1, further comprising a plurality of openings and passages for retaining fusion promoting substance.

11. The implant of claim 1, wherein said leading and trailing ends each have a radius of curvature, the radius of curvature of said leading end being different from the radius of curvature of said trailing end.

12. An artificial interbody spinal implant for insertion at least in part across the surgically corrected height of a disc space between adjacent vertebral bodies of a human spine, the vertebral bodies each having an anterior aspect, a posterior aspect, and an endplate having an apophyseal rim proximate the perimeter of the endplate, said implant having a structure comprising:

a leading end for insertion first into the disc space, a trailing end opposite said leading end, and therebetween a length along a mid-longitudinal axis of said implant, said leading end being asymmetrical;

opposed portions between said leading and trailing ends adapted to be placed within the disc space to contact and support the adjacent vertebral bodies, said opposed portions being non-arcuate along at least a portion of the length of said implant, each of said opposed portions having at least one opening therein to permit for the growth of bone from adjacent vertebral body to adjacent vertebral body through said implant, said structure being formed at least in part of a base material other than bone, said material comprising at least one of surgical quality titanium and its alloys, cobalt chrome alloy, tantalum, any metal or alloy suitable for the intended purpose, any ceramic material suitable for the intended purpose, and any plastic or composite material suitable for the intended purpose;

an interior facing side wall, an exterior facing side wall opposite said interior side wall, and a width therebetween, said width of said implant being less than approximately one-half of the maximum width of the adjacent vertebral bodies into which said implant is adapted to be inserted, said interior and exterior side walls extending between said opposed portions and said leading and trailing ends, said trailing end being curved across a majority of the width of said implant, said leading end including a curved portion extending from a junction of said leading end and said exterior side wall to at least the intersection of said leading end and the mid-longitudinal axis of said implant, said interior facing side wall adapted to be oriented toward another implant when inserted within the disc space, each of said opposed portions having a vertebral body contacting surface between said at least one opening and at least one of said interior facing side wall and said exterior side wall, each of said vertebral body contacting surfaces being adapted to be placed toward one of the adjacent vertebral bodies, said vertebral body contacting portions being at least in part between said interior facing side wall and said exterior side wall, said opposed portions



13

being spaced apart to define a hollow interior in communication with said openings, said exterior facing side wall including a straight portion along the length of said implant;

a first distance as measured along the mid-longitudinal axis of said implant from an intersection of said leading end and the mid-longitudinal axis of said implant to an intersection of the mid-longitudinal axis of said implant and a plane perpendicular to and bisecting the length along the mid-longitudinal axis of said implant, said first distance being greater than a second distance as measured along the mid-longitudinal axis of said implant from an intersection of said perpendicular plane and said exterior side wall to the junction of said leading end and said exterior side wall;

a third distance as measured along the mid-longitudinal axis of said implant from a junction of said leading end and said interior side wall to an intersection of said interior side wall and said perpendicular plane, said third distance being greater than said second distance, said first distance being greater than said third distance; and said implant having a minimum length as measured from said leading end to said trailing end so that said leading end and said trailing end of said implant are adapted to rest upon portions of the apophyseal rim when implanted, said implant being adapted to be wholly contained within the disc space when implanted.

14

13. The implant of claim 12, wherein said leading end includes a curve that extends from said exterior facing side wall beyond the mid-longitudinal axis of said implant.

14. The implant of claim 12, further comprising at least one protrusion extending from at least one of said opposed portions for engaging at least one of the adjacent vertebral bodies to maintain said implant within the disc space.

15. The implant of claim 12, further comprising a plurality of surface roughenings for engaging the adjacent vertebral bodies and for maintaining said implant in place, said surface roughenings being present on at least a part of said opposed portions.

16. The implant of claim 12, in combination with a fusion promoting substance.

17. The combination of claim 16, wherein said fusion promoting substance is at least one of bone morphogenetic protein and hydroxyapatite.

18. The implant of claim 12, wherein at least a portion of said implant is bioresorbable.

19. The implant of claim 12, wherein at least a portion of said opposed portions are in a diverging relationship to each other from trailing end to leading end for allowing angulation of the adjacent vertebral bodies relative to each other.

20. The implant of claim 12, wherein said leading and trailing ends each have a radius of curvature, the radius of curvature of said leading end being different from the radius of curvature of said trailing end.

\* \* \* \* \*

UNITED STATES PATENT AND TRADEMARK OFFICE  
**CERTIFICATE OF CORRECTION**

PATENT NO. : 8,323,340 B2  
APPLICATION NO. : 12/315991  
DATED : December 4, 2012  
INVENTOR(S) : Gary K. Michelson

Page 1 of 1

It is certified that error appears in the above-identified patent and that said Letters Patent is hereby corrected as shown below:

Title Page 3, Item (56), Other Publications:

Column 1, line 55: change "200" to --2000--;  
Column 1, line 57: change "200" to --2000--;  
Column 2, line 9: change "200" to --2000--;  
Column 2, line 17: change "200" to --2000--;  
Column 2, line 20: change "200" to --2000--;  
Column 2, line 26: change "200" to --2000--;  
Column 2, line 28: change "200" to --2000--;  
Column 2, line 30: change "200" to --2000--;  
Column 2, line 33: change "200" to --2000--;  
Column 2, line 41: change "200" to --2000--;  
Column 2, line 44: change "200" to --2000--;  
Column 2, line 46: change "Spin" to --Spine--; and  
Column 2, line 47: change "200" to --2000--.

Signed and Sealed this  
Twelfth Day of March, 2013



Teresa Stanek Rea  
*Acting Director of the United States Patent and Trademark Office*