



US007789914B2

(12) **United States Patent**
Michelson

(10) **Patent No.:** **US 7,789,914 B2**
(45) **Date of Patent:** **Sep. 7, 2010**

(54) **IMPLANT HAVING ARCUATE UPPER AND LOWER BEARING SURFACES ALONG A LONGITUDINAL AXIS**

FOREIGN PATENT DOCUMENTS

CA 1328957 5/1994

(75) Inventor: **Gary Karlin Michelson**, Venice, CA (US)

(Continued)

(73) Assignee: **Warsaw Orthopedic, Inc.**, Warsaw, IN (US)

OTHER PUBLICATIONS

(*) Notice: Subject to any disclaimer, the term of this patent is extended or adjusted under 35 U.S.C. 154(b) by 359 days.

Tech. Mitt. Krupp, Nickel-Titanium Spacers For Partial Stiffening of the Spinal Column—Problems Involved, Manufacture, Pretesting, And Clinical Use: vol. 42 (1984), No. 1, pp. 24-38; including translation pp. 5-27.

(21) Appl. No.: **10/926,766**

(Continued)

(22) Filed: **Aug. 26, 2004**

Primary Examiner—Alvin J Stewart

(65) **Prior Publication Data**

(74) *Attorney, Agent, or Firm*—Martin & Ferraro, LLP

US 2005/0038512 A1 Feb. 17, 2005

(57) **ABSTRACT**

Related U.S. Application Data

(60) Continuation of application No. 10/237,751, filed on Sep. 9, 2002, now Pat. No. 7,503,933, which is a continuation of application No. 09/412,090, filed on Oct. 4, 1999, now Pat. No. 6,447,544, which is a continuation of application No. 08/813,283, filed on Mar. 10, 1997, now Pat. No. 6,302,914, which is a division of application No. 08/482,146, filed on Jun. 7, 1995, now Pat. No. 5,609,635.

The present application is directed to interbody spinal fusion implants having a structural configuration that provides for the maintaining and creating of the normal anatomic angular relationship of two adjacent vertebrae of the spine to maintain and create spinal lordosis. The spinal fusion implants are sized to fit within the disc space created by the removal of disc material between two adjacent vertebrae and conform wholly or in part to the disc space created. The spinal fusion implants of the present invention have upper and lower surfaces that form a support structure for bearing against the end plates of the adjacent vertebrae. The upper and lower surfaces are disposed in a converging angular relationship to each other such that the implants have an overall “wedged-shape” in an elevational side view. The angular relationship of the upper and lower surfaces places and maintains the vertebrae adjacent to those surfaces in an angular relationship to each other, creating and maintaining the desired lordosis.

(51) **Int. Cl.**
A61F 2/44 (2006.01)

(52) **U.S. Cl.** **623/17.16**

(58) **Field of Classification Search** **623/17.11–17.16**
See application file for complete search history.

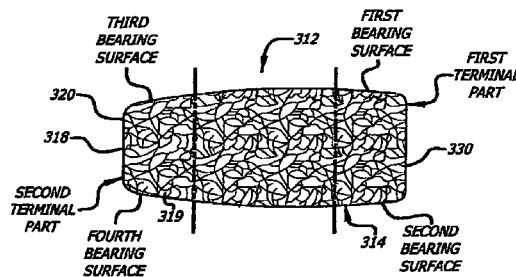
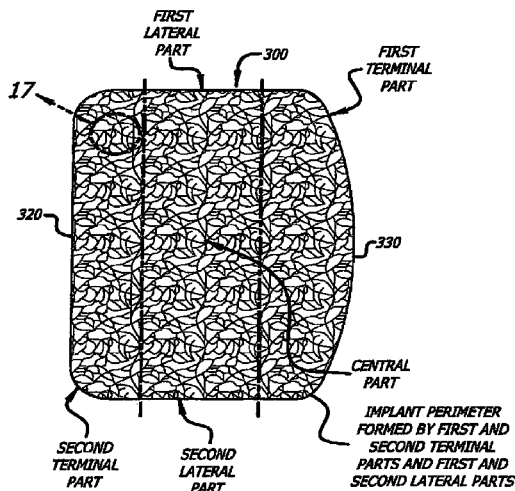
(56) **References Cited**

U.S. PATENT DOCUMENTS

2,677,369 A 5/1954 Knowles

18 Claims, 11 Drawing Sheets

(Continued)



U.S. PATENT DOCUMENTS

3,298,372 A 1/1967 Feinberg
 3,605,123 A 9/1971 Hahn
 3,848,601 A 11/1974 Ma et al.
 3,867,728 A 2/1975 Stubstad et al.
 3,875,595 A 4/1975 Froning
 3,905,047 A 9/1975 Long
 3,948,262 A 4/1976 Zaffaroni
 3,952,334 A 4/1976 Bokoros et al.
 3,987,499 A 10/1976 Scharbach et al.
 D245,259 S 8/1977 Shen
 4,070,514 A 1/1978 Entherly et al.
 4,168,326 A 9/1979 Broemer et al.
 4,309,777 A 1/1982 Patil
 4,349,921 A 9/1982 Kuntz
 4,401,112 A 8/1983 Rezaian
 4,405,319 A 9/1983 Cosentino
 4,439,152 A 3/1984 Small
 4,501,269 A 2/1985 Bagby
 4,507,115 A 3/1985 Kambara et al.
 4,535,485 A 8/1985 Ashman et al.
 4,542,539 A 9/1985 Rowe, Jr. et al.
 4,545,374 A 10/1985 Jacobson
 4,547,390 A 10/1985 Ashman et al.
 4,553,273 A 11/1985 Wu
 4,554,914 A 11/1985 Kapp et al.
 4,566,466 A 1/1986 Ripple et al.
 4,599,086 A 7/1986 Doty
 4,604,995 A 8/1986 Stephens
 4,608,052 A 8/1986 Van Kampen et al.
 4,634,720 A 1/1987 Dorman et al.
 4,636,217 A 1/1987 Ogilvie et al.
 4,636,526 A 1/1987 Dorman et al.
 4,645,503 A 2/1987 Lin et al.
 4,655,777 A 4/1987 Dunn
 4,661,536 A 4/1987 Dorman et al.
 4,693,721 A 9/1987 Ducheyne
 4,698,375 A 10/1987 Dorman et al.
 4,714,469 A 12/1987 Kenna
 4,721,103 A 1/1988 Freedland
 4,743,256 A * 5/1988 Brantigan 128/398
 4,759,766 A 7/1988 Buettner-Janz et al.
 4,759,769 A 7/1988 Hedman et al.
 4,763,644 A 8/1988 Webb
 4,820,305 A 4/1989 Harms et al.
 4,834,757 A 5/1989 Brantigan
 4,863,476 A 9/1989 Shepperd
 4,863,477 A 9/1989 Monson
 4,865,603 A 9/1989 Noiles
 4,877,020 A 10/1989 Vich
 4,878,915 A 11/1989 Brantigan
 4,904,261 A 2/1990 Dove et al.
 4,911,718 A 3/1990 Lee et al.
 4,936,848 A 6/1990 Bagby
 4,955,908 A 9/1990 Frey et al.
 4,961,740 A 10/1990 Ray
 5,015,247 A 5/1991 Michelson
 5,026,373 A 6/1991 Ray et al.
 5,055,104 A 10/1991 Ray
 5,062,845 A 11/1991 Kuslich et al.
 5,071,437 A * 12/1991 Steffee 623/17.16
 5,122,130 A 6/1992 Keller
 5,123,926 A 6/1992 Pisharodi
 5,171,278 A 12/1992 Pisharodi
 5,190,548 A 3/1993 Davis
 5,192,327 A 3/1993 Brantigan
 5,246,458 A 9/1993 Graham
 5,250,061 A 10/1993 Michelson
 5,258,031 A 11/1993 Salib et al.
 5,258,043 A * 11/1993 Stone 264/108
 5,304,191 A 4/1994 Gosselin
 5,306,308 A * 4/1994 Gross et al. 623/17.16

5,306,309 A 4/1994 Wagner et al.
 5,360,430 A 11/1994 Lin
 5,370,697 A 12/1994 Baumgartner
 5,397,364 A 3/1995 Kozak et al.
 5,425,772 A 6/1995 Brantigan
 5,443,514 A 8/1995 Steffee
 5,445,639 A 8/1995 Kuslich et al.
 5,458,638 A 10/1995 Kuslich et al.
 5,458,643 A * 10/1995 Oka et al. 623/17.16
 5,484,437 A 1/1996 Michelson
 5,489,307 A 2/1996 Kuslich et al.
 5,489,308 A 2/1996 Kuslich et al.
 5,499,984 A 3/1996 Steiner et al.
 5,522,899 A 6/1996 Michelson
 5,534,028 A * 7/1996 Bao et al. 623/17.16
 5,554,191 A 9/1996 Lahille et al.
 5,571,109 A 11/1996 Bortagnoli
 5,571,190 A 11/1996 Ulrich et al.
 5,607,424 A 3/1997 Tropiano
 5,609,635 A 3/1997 Michelson
 5,609,636 A 3/1997 Kohrs et al.
 5,609,637 A 3/1997 Biedermann et al.
 5,658,335 A 8/1997 Allen
 5,658,337 A 8/1997 Kohrs et al.
 5,665,122 A 9/1997 Kambin
 5,669,909 A 9/1997 Zdeblick et al.
 5,683,463 A 11/1997 Godefroy et al.
 5,766,252 A 6/1998 Henry et al.
 5,769,897 A 6/1998 Härle
 5,776,199 A * 7/1998 Michelson 623/17.16
 5,782,919 A 7/1998 Zdeblick et al.
 5,800,547 A 9/1998 Schafer et al.
 5,824,094 A * 10/1998 Serhan et al. 623/17.16
 5,861,041 A * 1/1999 Tienboon 623/17.16
 6,888,224 B1 3/1999 Beckers et al.
 5,893,890 A 4/1999 Pisharodi
 5,980,522 A 11/1999 Koros et al.
 5,984,967 A 11/1999 Zdeblick et al.
 6,059,829 A 5/2000 Schalpfer et al.
 6,149,686 A 11/2000 Kuslich et al.
 6,558,423 B1 5/2003 Michelson
 6,613,091 B1 9/2003 Zdeblick et al.
 2003/0149483 A1 8/2003 Michelson

FOREIGN PATENT DOCUMENTS

CA 2151481 3/1995
 DE 29 10 627 9/1980
 DE 36 08 163 A1 9/1987
 DE 38 20 549 12/1987
 EP 0 179 695 9/1985
 EP 0 260 044 8/1987
 EP 0 493 698 A1 7/1992
 EP 0 599 419 A2 6/1994
 EP 0 627 204 A2 12/1994
 EP 0 425 542 3/1995
 EP 0 646 366 4/1995
 FR 2 703 580 10/1994
 JP 60-31706 11/1979
 JP 60-43984 10/1985
 JP 62-155846 7/1987
 JP 5-208029 8/1993
 SU 1107854 8/1984 623/17
 WO WO 90/00037 1/1990
 WO 93/01771 2/1993
 WO 96/22747 8/1996

OTHER PUBLICATIONS

European Search Report dated Jan. 12, 2000 for European Patent Application No. 96918001 in the name of Gary Karlin Michelson. Brant, L., et al.; A Dowell Inserter for Anterior Cervical Interbody Fusion; J. Neurosurg. 61:793-794 (Oct. 1984).

The Official Communication from the Canadian Intellectual Property
Office dated Jan. 31, 2002 from corresponding Canadian Patent
Application No. 2,223,964.

* cited by examiner

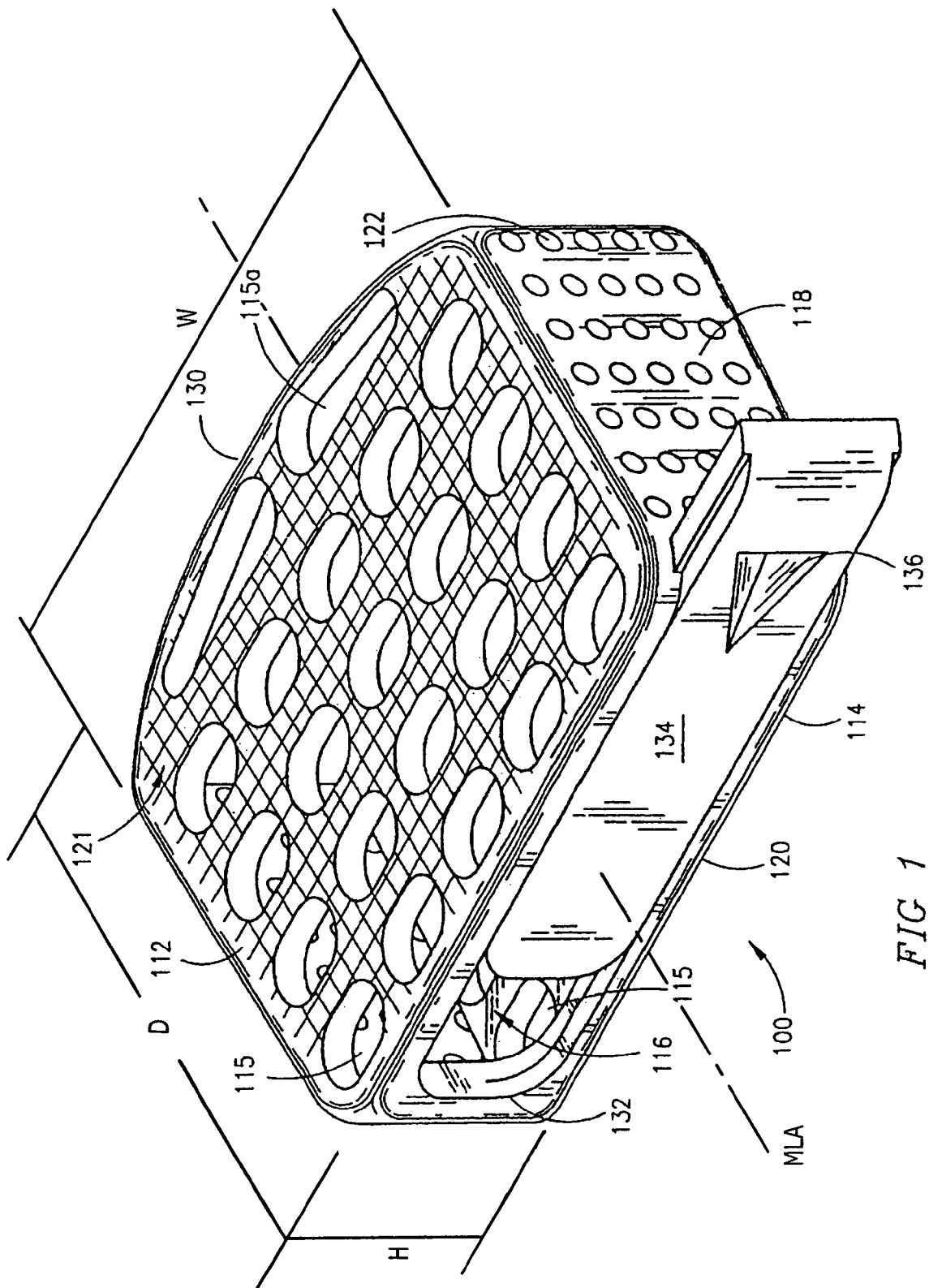


FIG 1

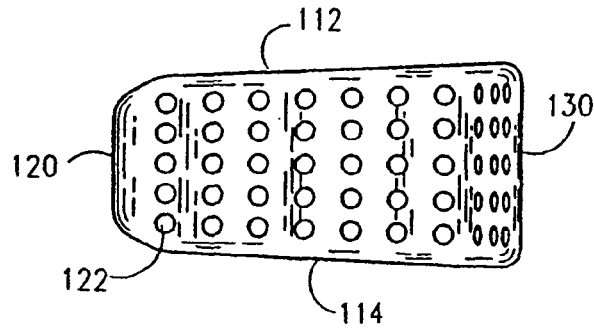


FIG 3

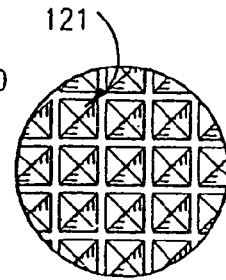


FIG 7

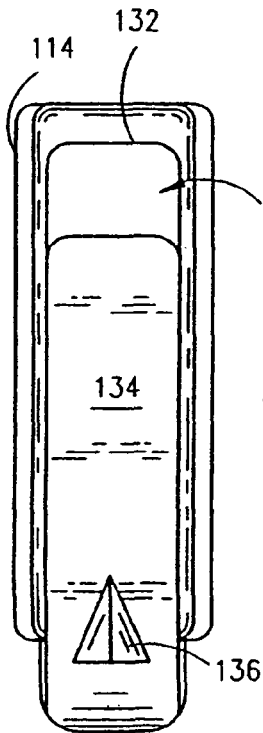


FIG 5

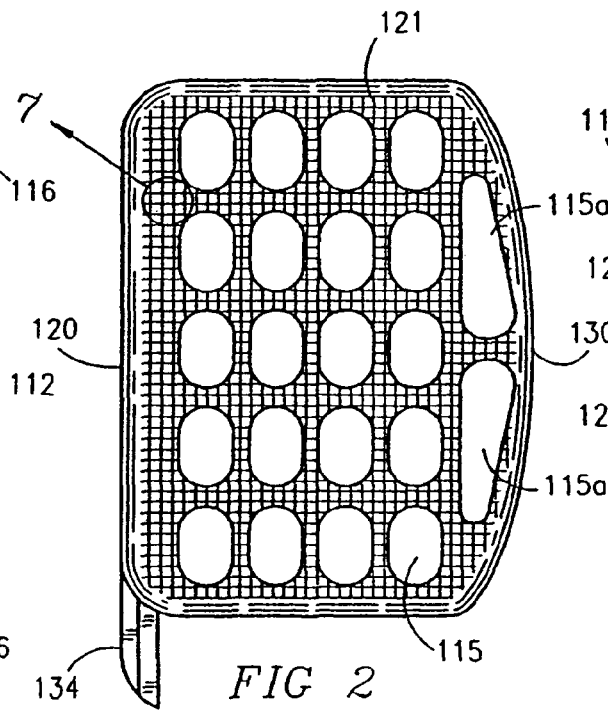


FIG 2

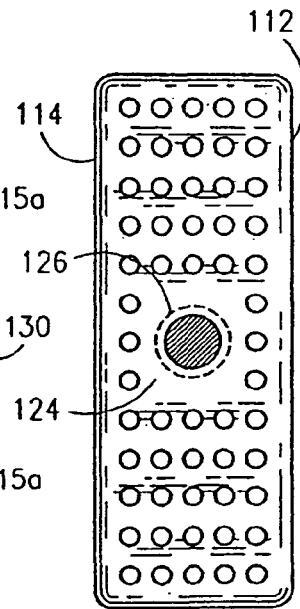


FIG 6

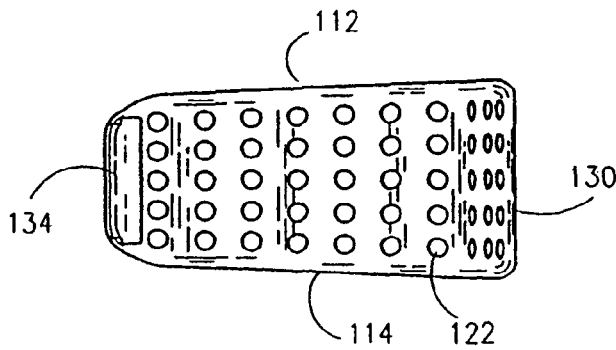


FIG 4

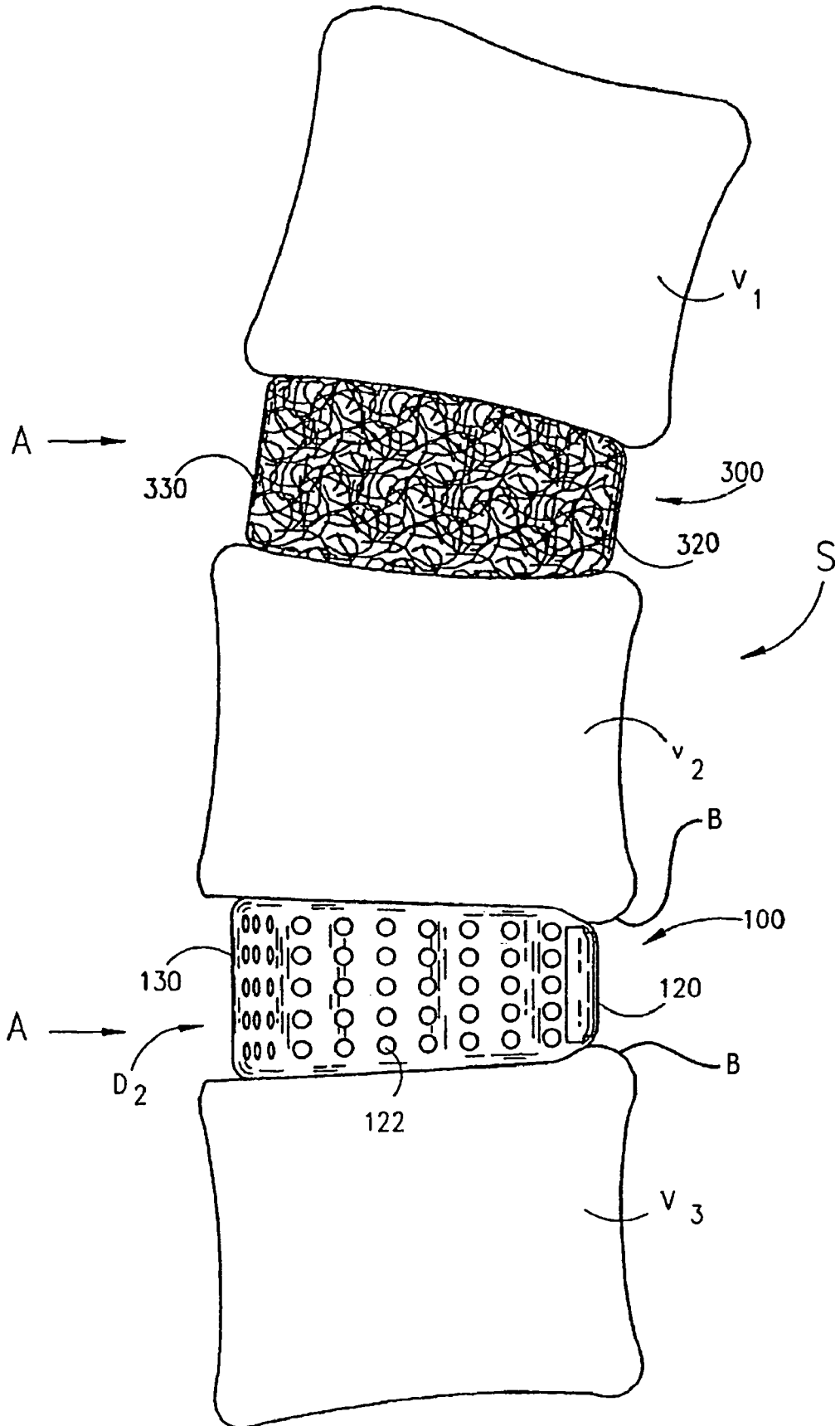
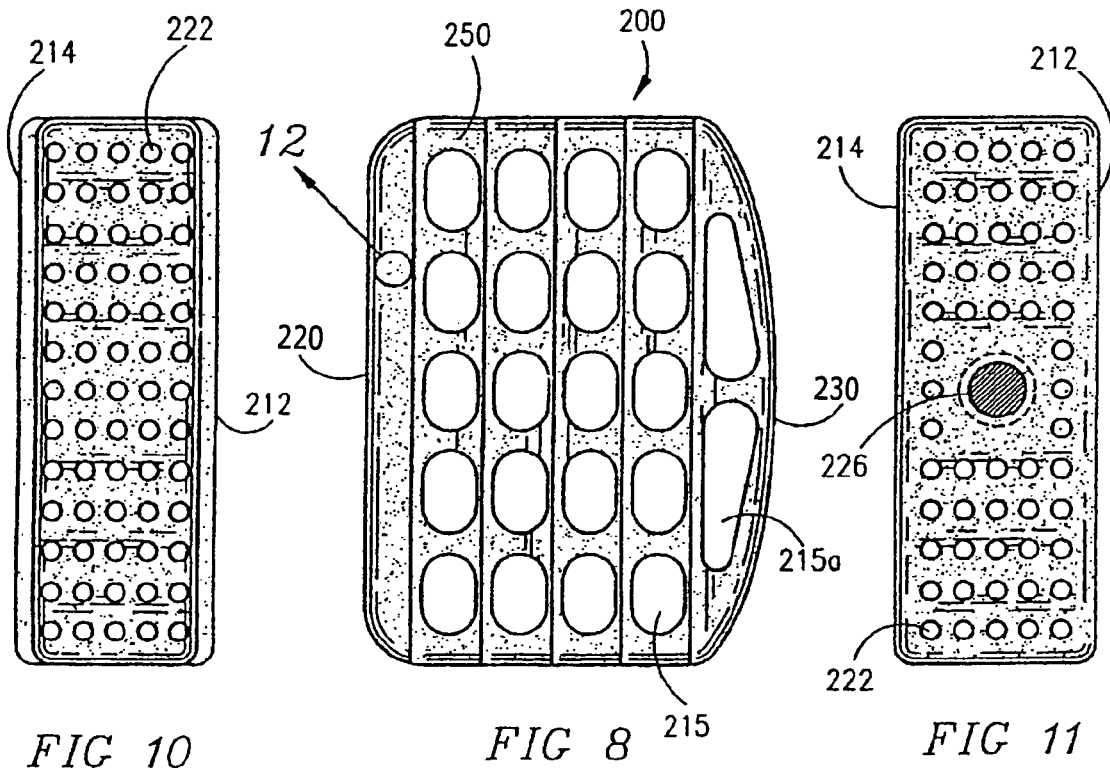
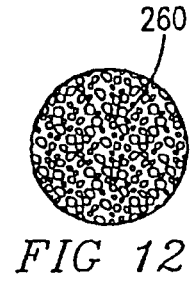
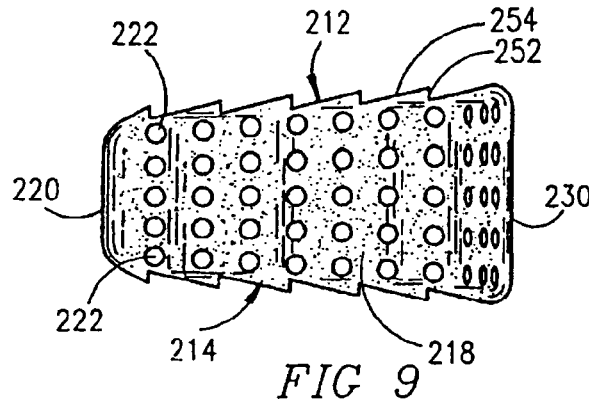
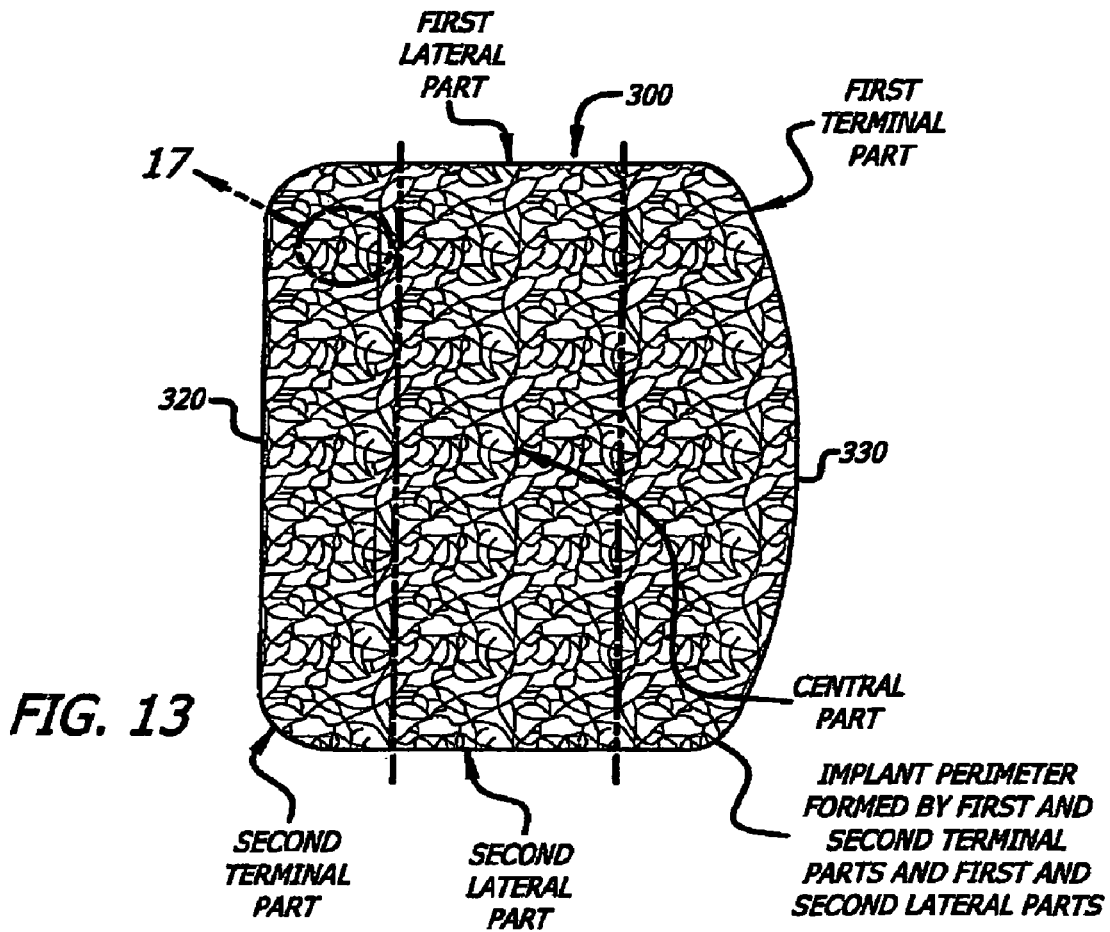
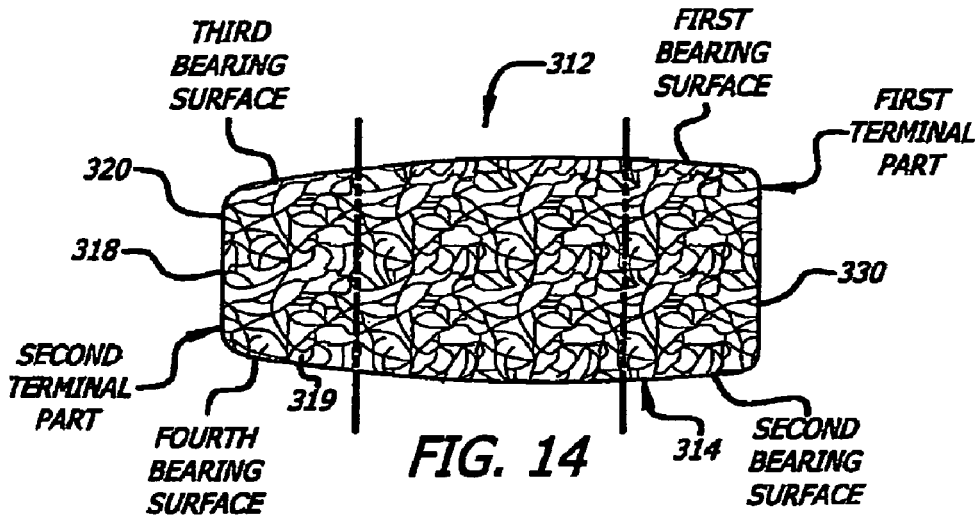


FIG 7A





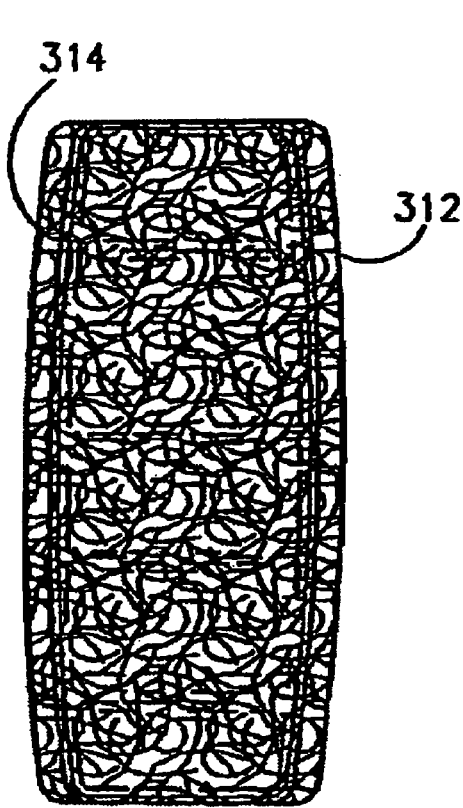


FIG 15

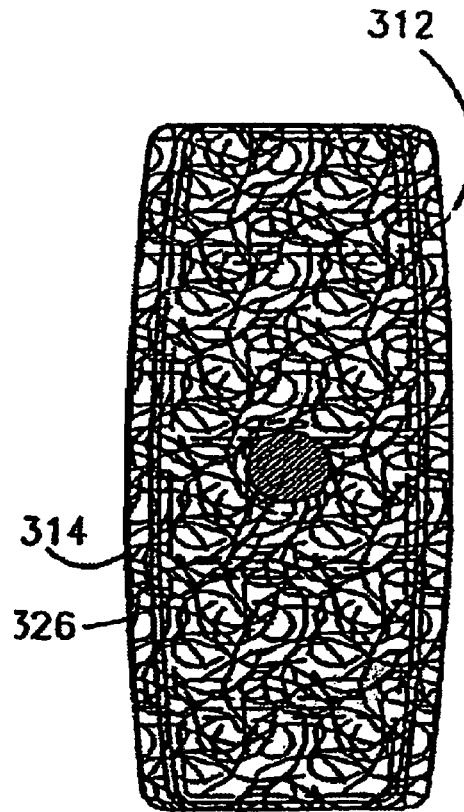


FIG 16

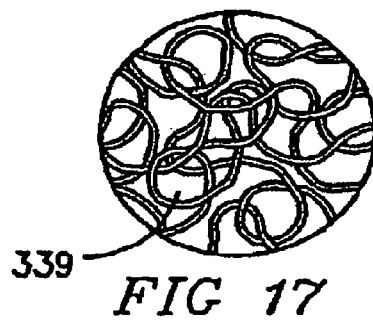


FIG 17

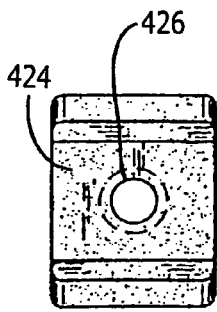


FIG 21

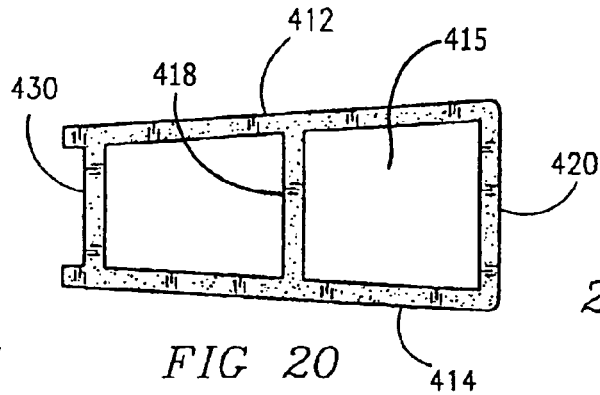


FIG 20

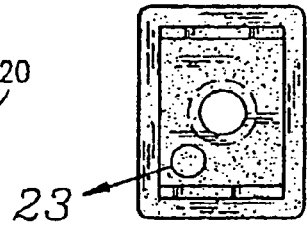


FIG 22

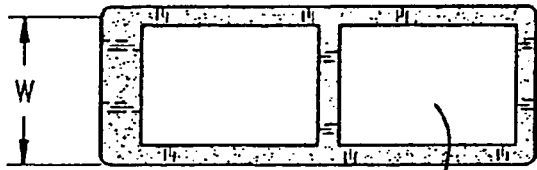


FIG 19

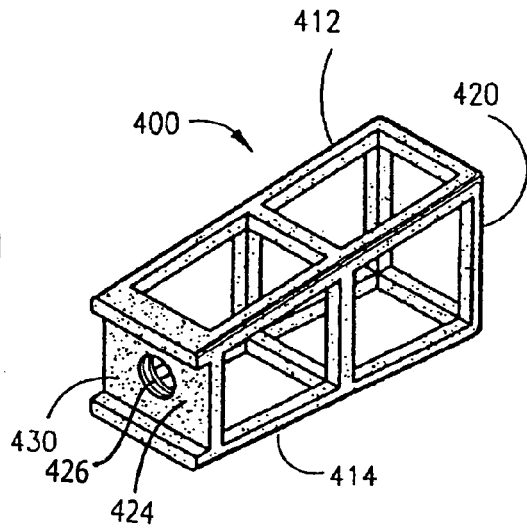


FIG 18

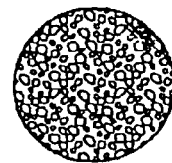


FIG 23

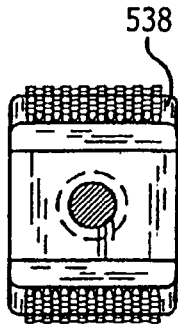


FIG 26

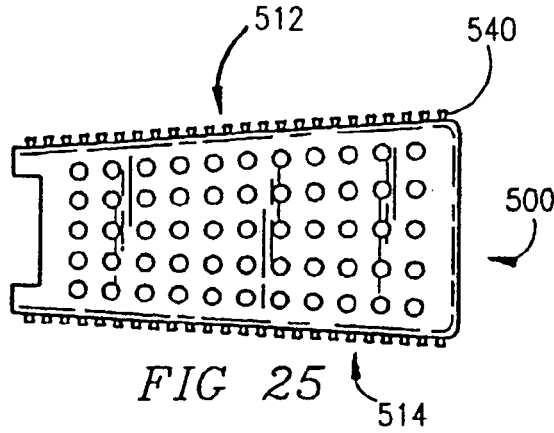


FIG 25

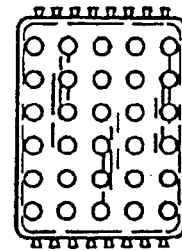


FIG 27

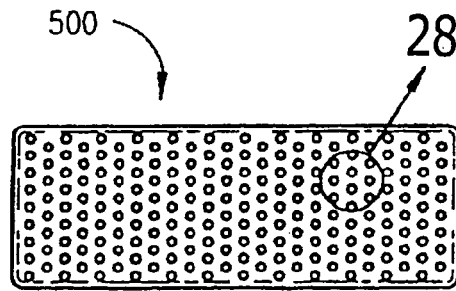


FIG 24

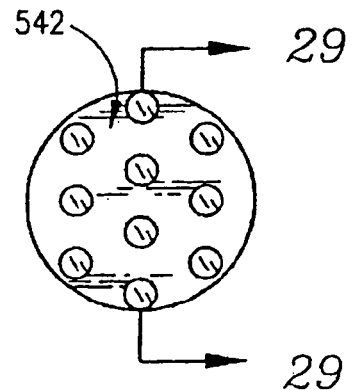


FIG 28

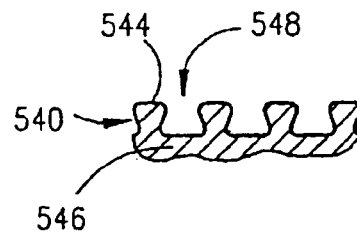


FIG 29

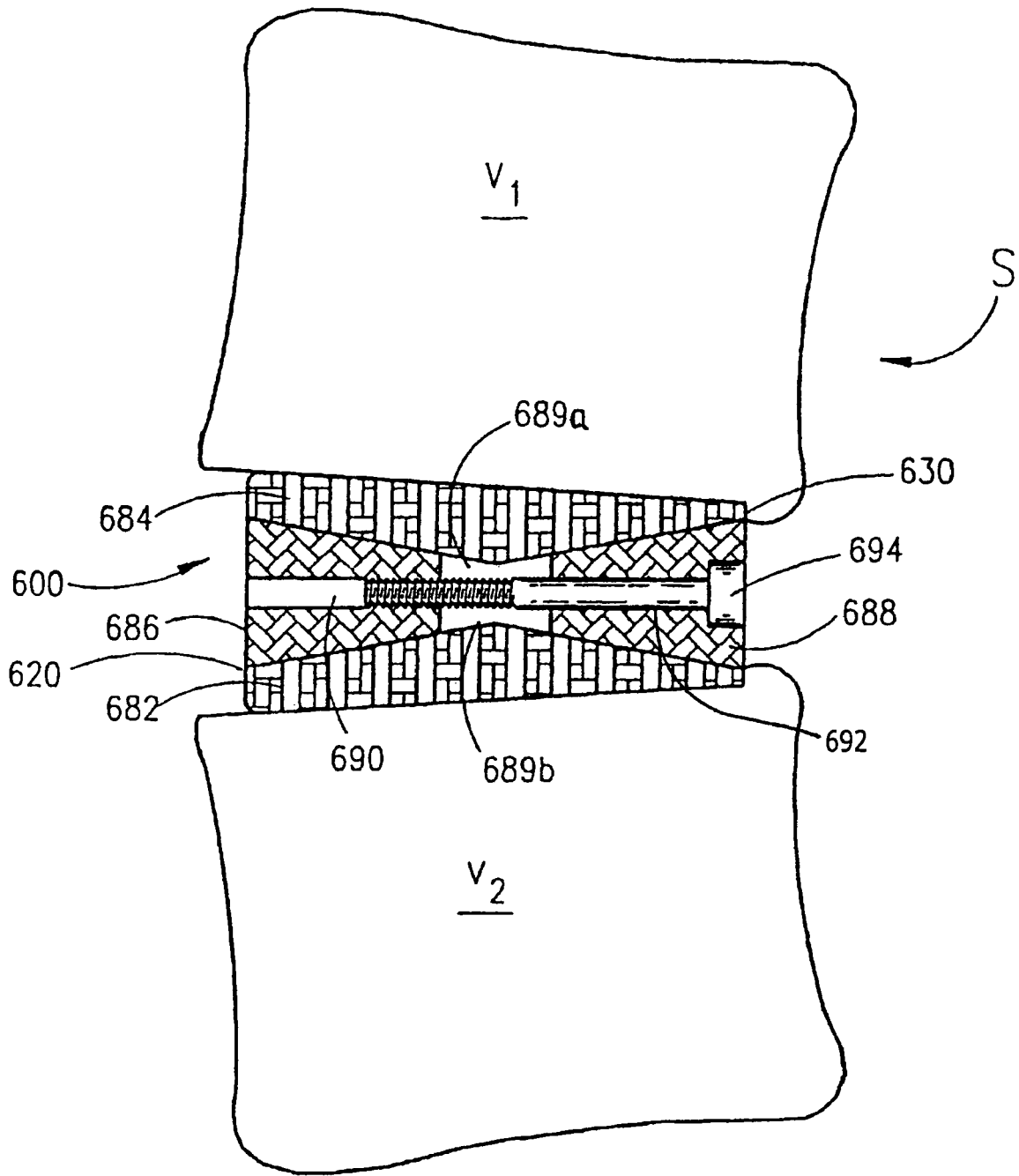


FIG 30

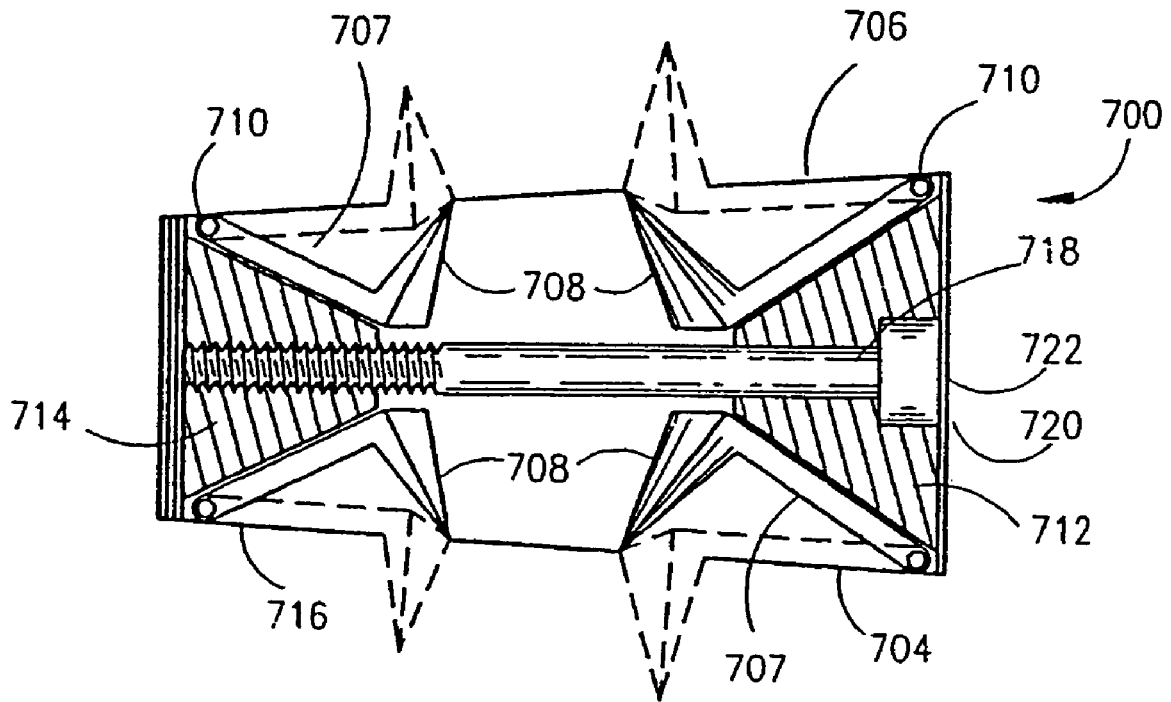


FIG 31

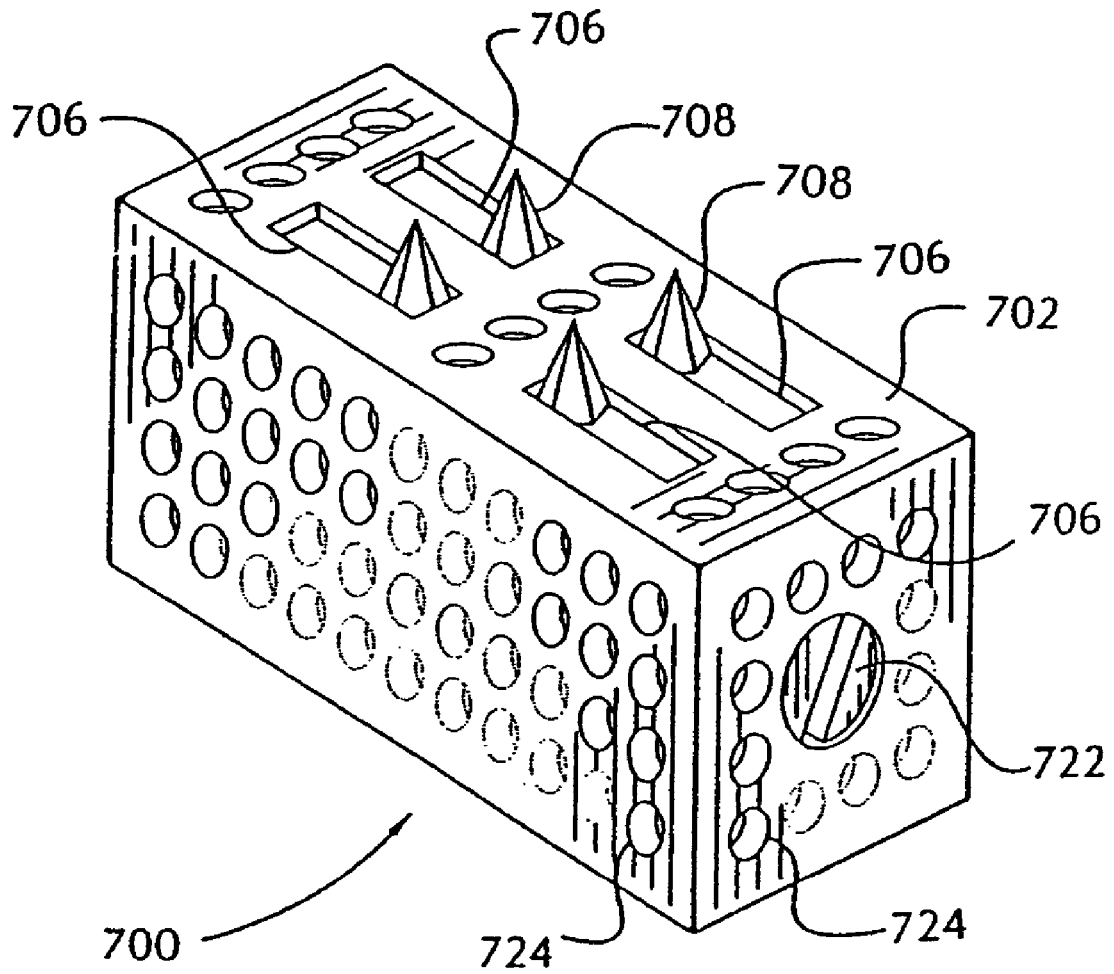


FIG 32

IMPLANT HAVING ARCUATE UPPER AND LOWER BEARING SURFACES ALONG A LONGITUDINAL AXIS

This application is a continuation of application Ser. No. 10/237,751, filed Sep. 9, 2002 now U.S. Pat. No. 7,503,933; which is a continuation of application Ser. No. 09/412,090, filed Oct. 4, 1999, now U.S. Pat. No. 6,447,544; which is a continuation of application Ser. No. 08/813,283, filed Mar. 10, 1997, now U.S. Pat. No. 6,302,914; which is a divisional of application Ser. No. 08/482,146, filed Jun. 7, 1995, now U.S. Pat. No. 5,609,635; all of which are incorporated herein by reference.

BACKGROUND OF THE INVENTION

1. Field of the Invention

The present invention relates generally to interbody spinal fusion implants, and in particular to spinal fusion implants configured to restore and maintain two adjacent vertebrae of the spine in correct anatomical angular relationship.

2. Description of the Prior Art

Both the cervical and lumbar areas of the human spine are, in a healthy state, lordotic such that they are curved convex forward. It is not uncommon that in degenerative conditions of the spine that lordosis is lost. This effectively shortens the spinal canal which decreases its capacity. Further, the absence of lordosis moves the spinal cord anteriorly where it may be compressed against the posterior portions of the vertebral bodies and discs. Finally, such a loss of lordosis disturbs the overall mechanics of the spine which may cause cascading degenerative changes throughout the adjacent spinal segments.

The surgical treatment of those degenerative conditions of the spine in which the spinal discs are in various states of collapse, and out of lordosis, commonly involves spinal fusion. That is the joining together of adjacent vertebrae through an area of shared bone. When the shared bone is in the area previously occupied by the intervertebral disc that is referred to as an interbody fusion. Further history in this regard is provided in application Ser. No. 08/263,952 entitled Artificial Spinal Fusion Implants ("Parent Application") incorporated herein by reference.

The Parent Application taught the use of artificial spinal fusion implants that were capable of being placed between adjacent vertebrae, and which implants were capable of containing and providing fusion promoting substances including bone at the fusion site. These devices were further capable of restoring the height of the disc space and of supporting the spine, and were self-stabilizing as well as being stabilizing to the spinal area where implanted.

SUMMARY OF THE INVENTION

The present invention is directed to interbody spinal fusion implants having a structural configuration that provides for the maintaining and creating of the normal anatomic angular relationship of two adjacent vertebrae of the spine to maintain and create spinal lordosis. The spinal fusion implants of the present invention are sized to fit within the disc space created by the removal of disc material between two adjacent vertebrae and conform wholly or in part to the disc space created. The spinal fusion implants of the present invention have upper and lower surfaces that form a support structure for bearing against the end plates of the adjacent vertebrae. In the preferred embodiments, the upper and lower surfaces are disposed in a converging angular relationship to each other

such that the implants of the present invention have an overall "wedged-shape" in an elevational side view. The angular relationship of the upper and lower surfaces places and maintains the vertebrae adjacent to those surfaces in an angular relationship to each other, creating and maintaining the desired lordosis.

The implants of the present invention may have surface irregularities to increase their surface area, and/or to further engage the adjacent vertebrae and to enhance stability. The lordotic implants of the present invention may have surface irregularities that are uniform in height along the longitudinal axis of the upper and lower vertebrae engaging surfaces, or may increase in height from one end of the implant to the other. That is, the implant body and the surface formed and the projections may be similarly wedged. The outer contour of the surface projections may be more or less rectangular while the underlying implant may be wedge-shaped; or the reverse wherein the underlying implant body is more or less rectangular while the contour of the surface projections are wedge-shaped from one end of the implant to the other.

The implants of the present invention have various faces which may be curved so as to conform to the shape of the vertebral surfaces adjacent to the area of the disc removal. Specifically the upper and/or lower surfaces may be convex, and/or the front and/or rear surfaces may be convex. The surfaces of the implants of the present invention may have openings which may or may not pass all the way through them, and a central chamber in communication to the surface through holes. The openings may be of random sizes, and/or shapes, and/or distributions. The implants themselves may be composed of materials, and/or have surface treatments, to encourage microscopic bone ingrowth into the implants.

In the performing of a posterior lumbar interbody fusion, it is not possible to replace the removed portions of the disc, if a total nuclear discectomy has been performed, with a single large implant as the delicate dural sac containing the spinal cord, and the nerve roots cover at all times at least some portion of the posterior disc space. As set forth in the Parent Application, the use of "modular implants" is appropriate in such cases. The modular implants being approximately as long as the depth of the disc material removed, but being considerably narrower, such that they can be introduced into the disc space from the posterior aspect to either side of the dural sac, and then aligned side to side within the disc space so that a number of them each having a length consistent with the depth of the disc removed in that area would in combination have a width equal to the width of the disc material removed.

The modular implants of the present invention may be generally wedge-shaped and may have upper and lower surfaces conforming to the contours of the vertebral endplates, which contours include but are not limited to being relatively flat or convex. As the disc spaces in the lumbar spine are generally lordotic, said implants in the preferred embodiment would be taller anteriorly, that is at the implant's insertion end, and less tall posteriorly, that is at the implant's trailing end. To introduce an implant that is taller at its insertion end than the space available at the posterior aspect of the disc space, even when that disc space is optimally distracted, is problematic.

The modular implants of the present invention provide two solutions to the problem. In the first embodiment, the modular implants may have a reduced size at their insertion end, including but not limited to a bullet nose, a convexity, and a chamfer to a smaller front surface. This then provides that the implant has an area small enough to be introduced into the posterior aspect of the disc space when the disc space is

3

adequately distracted and the contour of that specialized leading portion of the implant is such that it then allows for a ramping up of the adjacent vertebrae relative to the implant as the implant is advanced forward into the disc space.

The implants of the present invention provide a second solution to this same problem. In the preferred embodiment of the modular implant, the implant is again wedge-shaped in the side elevational view and is taller at its insertion end than at its trailing end. However, the implant incorporates at its trailing end a means for engaging insertion instrumentation such as the box and threaded opening configuration disclosed in the Parent Application. Since in the preferred embodiment these implants are wedge-shaped in the side elevational view when upright but are generally rectangular when viewed from the top plan view, these implants are therefore designed to be introduced into the disc space on their side such that the side walls of the implants are adjacent to the end plates of the adjacent vertebrae. The implants have a side-to-side dimension that is less than the dimension through the insertion end of the implant when upright. It is possible to easily insert these implants with them on their side and then to use the insertion instrument engaged to the implant to rotate the implants ninety degrees into the fully upright position, once they have been fully inserted. Once inserted, the upper and lower surfaces are adjacent to the endplates of the adjacent vertebrae and create and maintain the desired angular relationship of the adjacent vertebrae as the upper and lower walls are angled with respect to each other.

In an alternative embodiment of the present invention, a mechanical implant which may be inserted in a collapsed position and which may then be adjusted to increase in height so as to provide for the optimal restoration of the height of the space between the adjacent vertebrae is disclosed. The mechanical implant may be wedge-shaped, and have upper and lower surfaces, the contours of which generally conform to the contacted areas of the adjacent vertebral endplates and which contours may include but are not limited to being relatively flat, or convex. Further, the mechanical implant may be wedge-shaped or generally rectangular, but capable of increasing in both height and the extent of wedging when adjusted. This may easily be achieved by having one of the two wedge mechanisms employed in the example given being larger, or steeper than the other. Alternatively, a single wedge may be utilized, and if it is desired to achieve increased height at one end of the implant while restricting the height at the other, then the end of the implant may incorporate a hinge means and the height expansion at the other end achieved by drawing a wedge member, bar, ball, or other means from the far end toward the hinged end so as to drive said upper and lower surfaces apart in a wedged fashion.

In an alternative embodiment of the present invention, an implant having a mechanically deployable bone engaging means is taught. Such an implant is generally wedge-shaped in the side elevational view and has upper and lower surfaces generally conforming to the contour of the vertebral endplates where contacted by the implant, and which upper and lower surfaces may be but are not limited to being either flat or convex. The use of such deployable bone engaging means are particularly of value in that the largest possible implant may be inserted into a disc space and the vertebral engaging means, which if fixed to the surface would have blocked the insertion of the implant, may then be deployed after the insertion such that the distance from the tip of the upper and lower bone engagement means exceeds the height of the space available for insertion. Such a feature is of particular value when the implant itself is wedge-shaped as the consid-

4

erable compressive loads across the lumbar spine would tend to drive a wedge-shaped implants out of the disc space.

OBJECTS OF THE PRESENT INVENTION

It is an object of the present invention to provide a spinal fusion implant that is easily inserted into the spine, having a tapered leading end;

It is another object of the present invention to provide a spinal fusion implant that tapers in height from one end to the other consistent with the taper of a normal spinal disc;

It is yet another object of the present invention to provide a spinal fusion implant that is capable of maintaining anatomic alignment and lordosis of two adjacent vertebrae during the spinal fusion process;

It is still another object of the present invention to provide a spinal fusion implant that is self stabilizing within the spine;

It is yet another object of the present invention to provide a spinal fusion implant that is capable of providing stability between adjacent vertebrae when inserted;

It is further another object of the present invention to provide a spinal fusion implant that is capable of spacing apart and supporting adjacent vertebrae in an angular relationship during the spinal fusion process;

It is still further another object of the present invention to provide a spinal fusion implant that fits between to adjacent vertebrae and preserves the end plants of those vertebrae; and

It is another object of the present invention to provide a spinal fusion implant having a shape which conforms to the endplates of the adjacent vertebrae; and

These and other objects of the present invention will become apparent from a review of the accompanying drawings and the detailed description of the drawings.

BRIEF DESCRIPTION OF THE DRAWINGS

FIG. 1 is a perspective view of the lordotic interbody spinal fusion implant of the present invention with a slidable door shown in a partially open position providing access to the internal chamber of the implant.

FIG. 2 is a top plan view of the lordotic interbody spinal fusion implant of the present invention.

FIG. 3 is a left side elevational view of the lordotic interbody spinal fusion implant of the present invention.

FIG. 4 is a right side elevational view of the lordotic interbody spinal fusion implant of the present invention.

FIG. 5 is a front end view of the lordotic interbody spinal fusion implant of the present invention showing the slidable door in a partially open position.

FIG. 6 is a rear end view of the lordotic interbody spinal fusion implant of the present invention showing the means for engaging insertion instrumentation.

FIG. 7 is an enlarged fragmentary view along line 7 of FIG. 2 illustrating the bone engaging surface configuration of the lordotic interbody spinal fusion implant of the present invention.

FIG. 7A is an elevational side view of a segment of the spinal column having the lordotic implant of the present invention inserted in the disc space at different disc levels between adjacent vertebrae to restore and maintain the correct anatomical alignment of the adjacent vertebrae.

FIG. 8 is a top plan view of an alternative embodiment of the lordotic interbody spinal fusion implant of the present invention.

5

FIG. 9 is a left side elevational view of the lordotic interbody spinal fusion implant of FIG. 8.

FIG. 10 is a front end view of the lordotic interbody spinal fusion implant of FIG. 8.

FIG. 11 is a rear end view of the lordotic interbody spinal fusion implant of FIG. 8 showing the means for engaging insertion instrumentation.

FIG. 12 is an enlarged fragmentary view along line 12 of FIG. 8 illustrating the surface configuration the lordotic interbody spinal fusion implant of the present invention.

FIG. 13 is a top plan view of an alternative embodiment of the lordotic interbody spinal fusion implant of the present invention made of a mesh-like material.

FIG. 14 is a left side elevational view of the lordotic interbody spinal fusion implant of FIG. 13.

FIG. 15 is a front end view of the lordotic interbody spinal fusion implant of FIG. 13.

FIG. 16 is a rear end view of the lordotic interbody spinal fusion implant of FIG. 13 showing the means for engaging insertion instrumentation.

FIG. 17 is an enlarged fragmentary view along line 17 of FIG. 13 illustrating the surface configuration of the lordotic interbody spinal fusion implant of the present invention.

FIG. 18 is a perspective view of an alternative embodiment of the lordotic interbody spinal fusion implant of the present invention.

FIG. 19 is a top plan view of the lordotic interbody spinal fusion implant of FIG. 18.

FIG. 20 is a left side elevational view of the lordotic interbody spinal fusion implant of FIG. 18.

FIG. 21 is a rear end view of the lordotic interbody spinal fusion implant of FIG. 18.

FIG. 22 is a front end view of the lordotic interbody spinal fusion implant of FIG. 18.

FIG. 23 is an enlarged fragmentary view along line 23 of FIG. 22 illustrating the surface configuration the lordotic interbody spinal fusion implant of the present invention.

FIG. 24 is a top plan view of an alternative embodiment of the lordotic interbody spinal fusion implant of the present invention.

FIG. 25 is a left side elevational view of the lordotic interbody spinal fusion implant of FIG. 24.

FIG. 26 is a rear end view of the lordotic interbody spinal fusion implant of FIG. 24.

FIG. 27 is a front end view of the lordotic interbody spinal fusion implant of FIG. 24.

FIG. 28 is an enlarged fragmentary view along line 28 of the lordotic interbody spinal fusion implant of FIG. 24 illustrating the surface configuration of the lordotic interbody spinal fusion implant of the present invention.

FIG. 29 is a sectional view along lines 29-29 of FIG. 28 the lordotic interbody spinal fusion implant of the present invention.

FIG. 30 is a side elevational view of a segment of the human spinal column shown with an alternative embodiment of the lordotic spinal fusion implant of the present invention that is adjustable and expandable shown in sectional view inserted in the disc space levels to restore and maintain the correct anatomical alignment of the adjacent vertebrae.

FIG. 31 is a side cross sectional view of, an alternative embodiment of the lordotic implant of the present invention having movable projections, in the form of spikes 708, which are movable from a first position within the implant 700 to a second position extending to the exterior of the implant.

6

FIG. 32 is a perspective view of the embodiment of FIG. 31.

DETAILED DESCRIPTION OF THE PREFERRED EMBODIMENT

Referring to FIGS. 1 through 7 the lordotic interbody spinal fusion implant of the present invention for use in the disc space between two adjacent vertebrae, generally referred to by the numeral 100, is shown. The implant 100 has a generally rectangular configuration, having an upper surface 112 and a lower surface 114. In the preferred embodiment, the upper and lower surfaces 112 and 114 of implant 100 are disposed in a converging angular relationship toward each other such that the implant 100 appears "wedge-shaped" from a side elevational view as shown in FIGS. 3 and 4. The upper and lower surfaces 112 and 114 have an interior surface which form a support structure for bearing against the endplates of the adjacent vertebrae between which the implant 100 is inserted. The angular relationship of the upper and lower surfaces 112 and 114 places and maintains the vertebrae adjacent to those surfaces in an angular relationship, creating and maintaining the desired lordosis of the spine.

The upper and lower surfaces 112 and 114 of the implant 100 may be flat or curved to conform to the shape of the end plates of the adjacent vertebrae between which the implant 100 is inserted. The implant 100 conforms to the shape of the nucleus pulposus and a portion of the annulus fibrosus removed from the vertebrae. The upper and lower surfaces 112 and 114 comprise surface roughenings that provide a surface suitable for engaging the adjacent vertebrae to stabilize the implant 100 within the disc space once surgically implanted. The surface roughenings of the upper and lower surfaces 112 and 114 comprise a surface knurling 121 and/or grooves.

Referring to FIG. 7, an enlarged fragmentary view of the surface knurling 121 of the implant 100 is shown as a diamond-shaped bone engaging pattern. The implant 100 may have surface knurling 121 throughout the entire upper and lower surfaces 112 and 114, throughout only a portion of the upper and lower surfaces 112 and 114, or any combination thereof, without departing from the scope of the present invention. It is also appreciated that the surface knurling 121 may have various configuration other than the configuration shown.

In this embodiment, the implant 100 is hollow and comprises a plurality of openings 115 of passing through the upper and lower surfaces 112 and 114 and into a central hollow chamber 116. The openings 115 provide for bone growth to occur from the vertebrae through the openings 115 to the internal chamber 116. While the openings 115 have been shown in the drawings as being circular, it is appreciated that the openings 115 may have any shape, size, configuration or distribution suitable for use in a spinal implant without departing from the scope of the present invention. For example, the openings may have a tear-drop configuration as shown in opening 115a in FIGS. 1 and 2. The upper and lower surfaces 112 and 114 of the implant 100 are supported and spaced apart by a side wall 118, which may also comprise a plurality of openings 122.

The implant 100 has an insertion end 120 and a trailing end 130 both of which may be curved or flat. The trailing end 130 of the implant may be convex to conform to the curvature of the vertebrae and has a means for engaging an implant insertion instrument comprising a depressed portion 124 with a central threaded opening 126 for receiving the engaging end of a driving instrument. The insertion end 120 of the implant

100 comprises an access opening **132** and a slidable door **134** which closes the opening **132**. The slidable door **134** covers the opening **132** into the chamber **116** and permits the insertion of autogenous bone material into the chamber **116**.

In use, the slidable door **134** is placed in the open position for loading material into the chamber **116**. The slideable door **134** has a depression **136** for facilitating the opening and closing of the door **134**. The internal chamber **116** can be filled and hold any natural or artificial osteoconductive, osteoinductive, osteogenic, or other fusion enhancing material. Some examples of such materials are bone harvested from the patient, or bone growth inducing material such as, but not limited to, hydroxyapatite, hydroxyapatite tricalcium phosphate; or bone morphogenic protein. The implant **100** itself is made of material appropriate for human implantation such as titanium and/or may be made of, and/or filled and/or coated with a bone ingrowth inducing material such as, but not limited to, hydroxyapatite or hydroxyapatite tricalcium phosphate or any other osteoconductive, osteoinductive, osteogenic, or other fusion enhancing material.

The fusion enhancing material that is packed within the chamber **116** of the implant **100** serves to promote bone ingrowth between the implant **100** and the adjacent vertebrae. Once the bone ingrowth occurs, the implant **100** will be a permanent fixture preventing dislodgement of the implant as well as preventing any movement between the adjacent vertebrae.

The slidable door **134** is then closed prior to implantation. In the closed position, the slideable door conforms to the curvature of the insertion end **120** of the implant **100**. Various methods of packing the implant **100** with the autogenous bone material may be used to obtain a completely packed implant **100**.

The method of inserting the implant **100** is set forth in detail in application Ser. No. 08/263,952, incorporated herein by reference. The threaded end of a driving instrument is attached to the threaded opening **126** in the trailing end **130** of the implant **100** and the fitting of the driving instrument into the depressed portion **124** prevents movement of the implant **100** in relationship to the driving instrument. The implant **100** is then placed at the entrance to the disc space between the two adjacent vertebrae **V**. The driver instrument is then tapped with a hammer sufficiently hard enough to drive the implant **100** into the disc space.

The size of the implant **100** is substantially the same size as the disc material that it is replacing and thus will be larger or smaller depending on the amount of disc material removed to create the disc space in which it is to be used. In the preferred embodiment in regard to the lumbar spine the implant **100** has a width **W** approximately 28-48 mm wide, approximately 36 mm being preferred. The implant **100** has a height **H** conforming to the restoration of the anatomic height of the disc space the average height would range from 8-16 mm, with 10-12 of which being the preferred average height. The depth **D** along mid-longitudinal axis **MLA** would at its maximum range from 20 to 34 mm with 26 to 32 being the preferred maximum depth. In the cervical spine the width of the implant is in the range of approximately 14-28 mm, with the preferred width being 18-22 mm. The implant has a height in the range of approximately 5-10 mm with the preferred height being 6-8 mm. The implant has a depth in the range of approximately 11-21 mm with the preferred depth being 11-13 mm.

Referring to FIG. 7A, a side elevational view of the lateral aspect of a segment of the spinal column **S** is shown with the implant **100** inserted in the disc space **D₂** between two adjacent vertebrae **V₂** and **V₃**. The implant **100** is inserted in the direction of arrow **A** into the disc space **D₂** and maintains the

two vertebrae **V₂** and **V₃** in angular relationship to each other such that the natural lordosis of that segment of the spinal column **S** is restored. The forward advancement of the implant **100** is blocked by the natural bone processes **B** in the endplates of the vertebrae **V₂** and **V₃**. Backing out of the implant **100** is prevented by the bone engaging surface knurling **121** of the upper and lower surfaces **112** and **114**.

Referring to FIGS. 8-12, an alternative embodiment of the lordotic interbody spinal fusion implant of the present invention, generally referred to by the numeral **200**, is shown. The implant **200** has a similar overall configuration as the implant **100** described above. In the preferred embodiment, the implant **200** is solid and comprises a plurality of channels **215** passing from the upper surface **212** to the lower surface **214** through the implant **200**. The channels **215** provide for bone ingrowth and facilitate the incorporation of the implant **200** into the spinal fusion mass. The channels may also be loaded with fusion promoting materials such as those described above, prior to implantation. It is appreciated that the channels **215** need not pass all the way through the implant **200**, but can have a configuration similar to wells, which may hold fusion promoting materials and permit bone ingrowth into the upper and lower surfaces **212** and **214** of the implant **200**.

In addition to the channels **215**, the implant **200** may have small openings **222** on the side wall **218** which may or may not pass through the entire implant **200**. The same openings **222** may be in communication with the channels **215** such that bone ingrowth may occur from the openings **222** to the channels **215** to lock the implant **200** into the fusion mass. If the openings **222** do not pass through the entire implant **200**, they may function as small wells for holding fusion promoting materials or described above.

In the preferred embodiment of implant **200**, the channels **215** have a diameter in the range of 0.1 mm to 6 mm, with 2-3 mm being the preferred diameter. The openings **222** have a diameter in the range of 0.1 mm to 6 mm, with 1-3 mm being the preferred diameter range. It is appreciated that although the channels **215** and openings **222** are shown having a generally rounded configuration, it is within the scope of the present invention that the channels **215** and openings **222** may have any size, shape, configuration, and distribution suitable for the intended purpose.

The implant **200**, has a plurality of ratchetings **250** on the upper and lower surface **212** and **214** for engaging the bone of the adjacent vertebrae. The ratchetings **250** comprise a bone engaging edge **252** and angled segment **254**.

Referring specifically to FIG. 9, the implant **200** has a wedge-shaped elevational side view in which the trailing end **230** is taller than the insertion end **220**. The plurality of ratchetings **250** are oriented in the direction of the insertion end **220** to provide for a one-way insertion of the implant **200** as the bone engaging edge **252**, or ridge, engages the vertebrae and prevents the implant from backing out once implanted. Alternatively, the trailing end ratchetings could be of a lesser height such that the overall shape of the ratchetings as a group is convex.

Referring to FIG. 11, the trailing end **230** of implant **200** has means for engaging insertion instrumentation comprising a thread opening **226** as described above for implant **100**.

Referring to FIG. 12, an enlarged fragmentary view along line **12** of FIG. 8 illustrating the surface configuration the implant **200** is shown. The upper and lower surfaces **212** and **214** of implant **200**, in addition to the ratcheting **250** comprise a porous texture **260** to present an irregular surface to the bone to promote bone ingrowth. The porous texture **260** is also able to hold fusion promoting materials and provides for an increased surface area to engage the bone in the fusion pro-

cess and to provide further stability. The porous texture **260** may also be present on the side walls **218**. It is appreciated that the outer surface and/or the entire implant **200**, may comprise any other porous material or roughened surface sufficient to hold fusion promoting substances and/or allow for bone ingrowth and/or engage the bone during the fusion process. The implant **200** may be further coated with bioactive fusion promoting substances including, but not limited to, hydroxyapatite compounds, osteogenic proteins and bone morphogenic proteins or may be from bioabsorbable material.

Referring to FIGS. **13-17**, an alternative embodiment of the lordotic interbody spinal fusion implant, generally referred to by the numeral **300**, is shown. The implant **300** is made of a mesh-like material comprising strands, which may be made of metal, that are pressed together and molded. The upper and lower surfaces **312** and **314** may be convex and conform to the natural surface curvature of the end plates of the vertebrae. In addition, the entire implant **300** may be molded to a shape that conforms to the shape of the disc space created by the removal of disc material from between two adjacent vertebrae. In this manner, the implant **300** has curved upper and lower surfaces **312** and **314**, a curved side wall **318** and chamfered edges **319**.

As shown in FIGS. **13** and **14**, the implant **300** includes a first terminal part defining a first bearing surface adapted to bear against an endplate of the vertebrae V_1 and an opposite second bearing surface adapted to bear against an endplate of the vertebrae V_2 . The first and second bearing surfaces are substantially planar. The implant **300** also includes a second terminal part opposite the first terminal part. The second terminal part defines a third bearing surface adapted to bear against the endplate of the vertebrae V_1 and a fourth bearing surface adapted to bear against the endplate of the vertebrae V_2 .

In addition to the first and second terminal parts, the implant **300** also includes a first lateral part extending between the first terminal part and the second terminal part, and a second lateral part opposite the first lateral part and extending between the first terminal part and the second terminal part. A perimeter of the implant **300** is defined by the first and second terminal parts, and the first and second lateral parts. An elongated body of the implant **300** including a central part is disposed within the perimeter, and extends from between the first and second terminal parts and the first and second lateral parts.

Referring to FIG. **7A**, the implant **300** is shown inserted in the direction of arrow **A** into the disc space **D**, between adjacent vertebrae V_1 and V_2 . The implant **300** conforms to the endplates of the adjacent vertebrae V_1 and V_2 as the upper and lower surfaces **312** and **314** are convex, and the side walls **318** are curved to conform to the natural curvature of the vertebrae V_1 and V_2 . In this manner, the implant **300** has the same dimensions as the disc material removed from between the two adjacent vertebrae V_1 and V_2 .

The implant **300** may be made wholly or in part of a solid material and/or a porous material, and/or a mesh-like material. The implant **300** may have a surface comprising of a porous material, a mesh-like material, or have a surface that is roughened. It is appreciated that the implant **300** may be solid or may be partially hollow and include at least one internal chamber in communication with said upper and lower surfaces.

As shown in FIG. **17**, the mesh-like material comprises strands that are formed and pressed together such that interstices **339**, capable of retaining fusion promoting material and for allowing for bone ingrowth, are present between the

strands in at least the outer surface of implant **300**. Alternatively, it is appreciated that the implant **300** may be made of a cancellous bone, having interstices allowing for bone ingrowth. As the implant **300** may be made entirely or in part of the cancellous material, the interstices may be present in the outer surface of the implant **300** and/or within the entire implant to promote bone ingrowth and hold bone fusion promoting materials.

Referring to FIGS. **18-23** an alternative embodiment of the implant of the present invention, generally referred to by the numeral **400**, is disclosed. The implant **400** has a substantially rectangular shape having upper and lower surfaces **412** and **414**. The upper and lower surfaces **412** and **414** support the adjacent vertebrae and are disposed in a converging angular relationship to each other in the same manner described above.

The implant **400** has a width **W** that is substantially less than the width of the implants **100-300** such that a series of such implants **400** are used as the interbody spinal implant, each placed closely adjacent to one another to approximate the size of the removed disc. The size of the implant **400** is approximately 26 millimeters in length and is wide enough so that four of them will substantially fill the intervertebral space, depending on which vertebrae are fused.

In the performing of a posterior lumbar interbody fusion, it is not possible to replace the removed portions of the disc, if a total nuclear discectomy has been performed, with a single large implant as the, delicate dural sac containing the spinal cord and nerve roots covers at all times at least some portion of the posterior disc space. The use of modular implants **400** that are inserted separately into the disc space is appropriate in such case. The modular implants **400** being approximately as long as the depth of the disc material removed, but being considerably narrower, such that they could be introduced into the disc space from the posterior aspect to either side of the dural sac, and then realigned side to side with the disc space so that a number of them each having a length consistent with the depth of the disc removed in that area would in combination have a width equal to the width of the disc material removed. As the disc spaces in the lumbar spine are generally lordotic, the insertion end **420** of the modular implants **400** would have to be taller and less tall posteriorly at the trailing end **430**.

To introduce the modular implant **400** that is taller at its insertion end **420** than the space available at the posterior aspect of the disc space, even when that disc space is optimally distracted, is problematic. The modular implants **400** of provide two solutions to the problem. The modular implants **400** may have a reduced size at their insertion end **420**, including but not limited to, a bullet nose, a convexity, and a chamfer to a smaller front surface. This then provides that the implant **400** has an area small enough to be introduced into the posterior aspect of the disc space when the disc space is adequately distracted and the contour of that specialized insertion end of the implant **400** is such that it then allows for a ramping up of the adjacent vertebrae relative to the implant **400** as the implant is advanced forward into the disc space.

Alternatively, or in combination with the above, since in the preferred embodiment the implants **400** are wedge-shaped in the side elevational view when upright but are generally rectangular when viewed from the top plan view, these implants may be introduced into the disc space on their side such that the side walls of the implants are adjacent to the end plates of the adjacent vertebrae. The implants **400** have a side-to-side dimension that is less than the dimension through the insertion end of the implant **400** when upright. It is pos-

sible to easily insert the implant 400 first on their side and then to use the insertion instrument engaged to the implant 400 to rotate the implant ninety degrees into the fully upright position, once it has been fully inserted. Once inserted, the upper and lower surfaces 412 and 414 are adjacent to the endplates of the adjacent vertebrae and create and maintain the desired angular relationship of the adjacent vertebrae as the upper and lower surfaces 412 and 414 of the implant 400 are angled with respect to each other.

The implant 400 has large openings 415 in the form of rectangular slots for holding fusion promoting materials to promote bone growth from the vertebrae through the upper and lower surfaces 412 and 414 and into the interior of the implant 400. As the implant 400 is modular and more than one is implanted at a time, the large openings 415 are also present in the side walls 418 of the implant 400 to provide for bone growth from one implant to another implant such that after successful fusion, the modular implants 400 are interconnected to form a single unit.

Referring to FIG. 21, the trailing end 430 of the implant 400 is shown having an insertion instrument engaging means comprising a rectangular slot 424 and threaded opening 426.

Referring to FIG. 23, an enlarged fragmentary view along line 23 of FIG. 22 illustrating the surface configuration of the implant 400 is shown. The surface configuration of the implant 400 is the same as the porous texture 260 described above.

Referring to FIG. 24, an alternative embodiment of the lordotic interbody spinal fusion implant of the present invention, generally referred to by the numeral 500, is shown. The implant 500 is a modular implant and has a similar overall configuration as implant 400. The implant 500 instead of having slots 415 has an upper and lower surfaces 512 and 514 that are capable of receiving and holding bone, or other materials capable of participating in the fusion process and/or capable of promoting bone ingrowth. In the preferred embodiment, the upper and lower surfaces 512 and 514 comprise a plurality of posts 540 that are spaced apart to provide a plurality of interstices 542 which are partial wells with incomplete walls capable of holding and retaining milled bone material or any artificial bone ingrowth promoting material. The implant 500 may be prepared for implantation by grouting or otherwise coating the surface 538 with the appropriate fusion promoting substances.

Referring to FIGS. 28 and 29, an enlarged view of the upper surface 512 of the implant 500 and a partial cross section thereof are shown. In the preferred embodiment, the posts 540 have a head portion 544 of a larger diameter than the remainder of the posts 540, and each of the interstices 542 is the reverse configuration of the posts 544, having a bottom 546 that is wider than the entrance 548 to the interstices 542. Such a configuration of the posts 540 and interstices 542 aids in the retention of bone material in the surface 538 of the implant 500 and further assists in the locking of the implant 500 into the bone fusion mass created from the bone ingrowth. As the bone ingrowth at the bottom 546 of the interstices 542 is wider than the entrance 548, the bone ingrowth cannot exit from the entrance 548 and is locked within the interstice 542. The surface 538 of the implant 500 provides for an improvement in the available amount of surface area which may be still further increased by rough finishing, flocking or otherwise producing a non smooth surface.

In the preferred embodiment, the posts 540 have a maximum diameter in the range of approximately 0.1-2 mm and a height of approximately 0.1-2 mm and are spaced apart a distance of 0.1-2 mm such that the interstices 542 have a

width in the range of approximately 0.1 to 2 mm. The post sizes, shapes, and distributions may be varied within the same implant.

It is appreciated that the implant 500 shares the same structure and features of the implant 400 described above.

FIG. 30 is a side elevational view of a segment of the human spinal column S shown in lordosis with an alternative embodiment of the lordotic spinal fusion implant referred to by the numeral 600, that is adjustable and expandable shown inserted in a space to restore and maintain the correct anatomical alignment of the adjacent vertebrae. The implant 600 comprises a lower member 682 and an upper member 684 which when fitted together form an essentially rectangular implant. The upper member 684 and the lower member 682 have hollow portions that face one another and receive tapered wedges 686 and 688 that fit within the hollow portion of the upper and lower members 682 and 684. The upper and lower members 682 and 684 each have a wedged interior surface 689a and 689b which are angled towards the interior of the implant 600. The wedges 682 and 684 are such that at their large end, they are higher than the combined hollow space between the upper and lower members 684 and 682, and shallower at the other end than the hollow space between the upper and lower members.

The wedges 686 and 688 have a central threaded opening 690 and 692 in alignment with each other for receiving threaded screw 694. As the screw 694 is threaded into the opening 690, the wedges 686 and 688 abut the interior sloped surfaces 689a and 689b of the upper and lower members 682 and 684. As the screw 694 is turned, the wedges 686 and 688 are drawn together, and the sloped portions of the wedges force the upper member 682 away from the lower member 684. As the interior sloped surfaces 689a and 689b have a greater slope near the trailing end 630, than near the insertion end 620, the upper and lower members 682 and 684 are forced apart more at the insertion end 620 than at the trailing end 630. As a result, the upper and lower members 682 and 684 are disposed at a converging angular relationship to each other and support the adjacent vertebrae V₁ and V₂ in the same angular relationship.

Referring to FIG. 31, an alternative embodiment of the implant of the present invention, generally referred to by the numeral 700, is shown. The implant 700 has movable projections, in the form of spikes 708, which are movable from a first position within the implant 700 to a second position extending outside of the implant. The implant 700 is of a generally rectangular configuration, having a top surface 702 and a bottom surface 704 of the implant with slots 706 for permitting pivotal member 707 having spikes 708 at their ends to project through said slots 706. The spikes 708 are pinned at one end 710 within the implant 700.

The implant 700 has opposing wedge shaped members 712 and 714 having a central threaded opening 716 for receiving a threaded screw 718 having a head 720 and a slot 722. The wedges 712 and 714 are facing each other so that upon turning of the screw 718, will the two wedges 712 and 714 are drawn together to cause the spikes 708 to pivot about their end 710 and project to the exterior of the implant 700 through the aligned slots 706. The implant 700 may comprise a series of holes 724 on its surfaces for promoting bone ingrowth and fusion.

In use, after the removal of the disc material, the implant 700 with the spikes 708 in their withdrawn position, is inserted into the disc space. Then the screw 718 is turned until the spikes 708 are forced to enter the vertebrae and the implant 700 is thus held firmly in place.

13

While the invention has been described with regards to the preferred embodiment and a number of alternative embodiments, it is recognized that other embodiments of the present invention may be devised which would not depart from the scope of the present invention.

I claim:

1. An implant for insertion between a first vertebra and a second vertebra, the first vertebra having a first cortical bone endplate and the second vertebra having a second cortical bone endplate, wherein the implant comprises:

a first terminal part defining a first bearing surface substantially planar and adapted to bear against the first cortical bone endplate, an opposite second bearing surface substantially planar and adapted to bear against the second cortical bone endplate, and a trailing face extending from said first bearing surface to said second bearing surface;

a second terminal part opposite said first terminal part, said second terminal part defining a third bearing surface adapted to bear against the first cortical bone endplate, a fourth bearing surface adapted to bear against the second cortical bone endplate, and an insertion face extending arcuately from the third bearing surface to the fourth bearing surface, said third bearing surface and said fourth bearing surface include an anti-expulsion feature;

an elongated body including a central portion extending from said first terminal part to said second terminal part, said central portion having a longitudinal axis extending through said insertion face and said trailing face, said central portion having an upper bearing surface, a lower bearing surface, and a cross section in a first plane extending through said upper bearing surface and said lower bearing surface, and along the longitudinal axis, the first plane bisecting said upper bearing surface in two halves, at least a portion of said cross section being convex at said upper bearing surface and said lower bearing surface; and

a first side extending between said insertion face and said trailing face and an opposite second side extending between said insertion face and said trailing face, portions of said first side and said second side intersecting a second plane that is perpendicular to the first plane and extends through said insertion face and said trailing face, said portions of said first side and said second side being parallel to one another and perpendicular to said insertion face.

2. The implant of claim 1, wherein said body defines a cavity for receiving bone osteogenic material.

3. The implant of claim 2, wherein said upper bearing surface and said lower bearing surface each include at least one opening into said cavity and a continuous perimeter surface.

4. The implant of claim 1, wherein said first bearing surface and said second bearing surface include an anti-expulsion feature.

5. The implant of claim 4, wherein said anti-expulsion feature includes ridges transverse to the longitudinal axis.

6. The implant of claim 1, wherein said third and fourth bearing surfaces are curved.

7. The implant of claim 1, wherein said upper bearing surface is configured to mate with the first cortical bone endplate and said lower bearing surface is configured to mate with the second cortical bone endplate.

8. The implant of claim 1, wherein said implant is made of metal suitable for human implantation.

9. An implant for insertion between a first vertebra and a second vertebra, the first vertebra having a generally verti-

14

cally extending first peripheral wall and a first cortical bone endplate and the second vertebra having a generally vertically extending second peripheral wall and a second cortical bone endplate, wherein the implant comprises:

5 a first terminal part defining a trailing face, a first bearing surface adapted to bear against a portion of the cortical bone endplate proximate to the first peripheral wall, and an opposite second bearing surface adapted to bear against a portion of the second cortical bone endplate proximate to the second peripheral wall;

10 an elongated body including a central part extending from said first terminal part, said central part having an upper bearing surface and a lower bearing surface, said elongated body terminating in a second terminal part opposite said first terminal part, said second terminal part including an anti-expulsion feature and having an insertion face extending from said upper bearing surface to said lower bearing surface, said insertion face including a curved surface extending from said upper bearing surface to said lower bearing surface, said central part having a longitudinal axis extending through said trailing face of said first terminal part and said insertion face of said second terminal part, and having a cross section in a first plane extending through said upper bearing surface and said lower bearing surface, and along the longitudinal axis, the first plane bisecting said upper bearing surface in two halves, wherein at least a portion of said cross section is convex at said upper bearing surface and said lower bearing surface; and

30 a first side and an opposite second side, said first side and said second side extending along said first terminal part, said elongated body, and said second terminal part, portions of said first side and said second side intersecting a second plane that is perpendicular to the first plane and extends through said insertion face and said trailing face, said portions of said first side and said second side being parallel to one another and perpendicular to said insertion face.

10. The implant of claim 9, wherein said body defines a cavity for receiving bone osteogenic material.

11. The implant of claim 9, wherein said first bearing surface and said second bearing surface include at least one anti-expulsion feature.

12. The implant of claim 11, wherein said anti-expulsion feature includes a ridge transverse to the longitudinal axis.

13. The implant of claim 9, wherein said first bearing surface and said second bearing surface are substantially planar.

14. The implant of claim 9, wherein said second terminal part includes a third bearing surface provided to bear against a portion of the cortical bone endplate proximate to the first peripheral wall and an opposite fourth bearing surface adapted to bear against a portion of the second cortical bone endplate proximate to the second peripheral wall.

15. The implant of claim 14, wherein said third bearing surface and said fourth bearing surface include anti-expulsion features.

16. The implant of claim 14, wherein said third and fourth bearing surfaces are curved.

17. The implant of claim 9, wherein said upper bearing surface and said lower bearing surface include openings into said cavity.

18. The implant of claim 9, wherein said implant is made of metal suitable for human implantation.

UNITED STATES PATENT AND TRADEMARK OFFICE
CERTIFICATE OF CORRECTION

PATENT NO. : 7,789,914 B2
APPLICATION NO. : 10/926766
DATED : September 7, 2010
INVENTOR(S) : Gary Karlin Michelson

Page 1 of 1

It is certified that error appears in the above-identified patent and that said Letters Patent is hereby corrected as shown below:

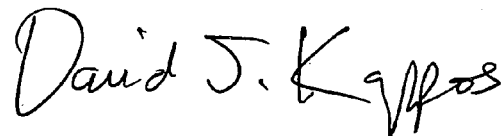
Title Page 2, Section (56) References Cited:

U.S. Patent Documents, Column 2, line 35: change "6,888,224" to -- 5,888,224 --;

Foreign Patent Documents, Column 2, line 48: change "38 20 549" to -- 36 20 549 --;

Signed and Sealed this

Seventh Day of December, 2010

A handwritten signature in black ink that reads "David J. Kappos". The signature is written in a cursive style with a large, prominent 'D' and 'K'.

David J. Kappos
Director of the United States Patent and Trademark Office