



(12) **United States Patent**
Michelson

(10) **Patent No.:** **US 7,704,255 B2**
(45) **Date of Patent:** ***Apr. 27, 2010**

(54) **THREADLESS MULTI-LOCK ANTERIOR
CERVICAL PLATING SYSTEM**

(75) Inventor: **Gary K. Michelson**, Venice, CA (US)

(73) Assignee: **Warsaw Orthopedic, Inc.**, Warsaw, IN (US)

(*) Notice: Subject to any disclaimer, the term of this patent is extended or adjusted under 35 U.S.C. 154(b) by 0 days.

This patent is subject to a terminal disclaimer.

(21) Appl. No.: **10/883,086**

(22) Filed: **Jul. 1, 2004**

(65) **Prior Publication Data**

US 2004/0236334 A1 Nov. 25, 2004

Related U.S. Application Data

(60) Continuation of application No. 10/253,678, filed on Sep. 24, 2002, now Pat. No. 6,916,320, which is a division of application No. 09/754,733, filed on Jan. 4, 2001, now Pat. No. 6,454,771, which is a continuation of application No. 09/022,293, filed on Feb. 11, 1998, now Pat. No. 6,193,721.

(60) Provisional application No. 60/037,139, filed on Feb. 11, 1997.

(51) **Int. Cl.**

A61F 5/00 (2006.01)
A61B 17/58 (2006.01)

(52) **U.S. Cl.** **606/86 B**; 606/289; 606/280

(58) **Field of Classification Search** 606/61, 606/69, 70, 71, 72, 73, 76, 77, 280, 286, 606/293, 281, 291, 96, 86 B, 289, 247; 411/200, 411/216

See application file for complete search history.

(56) **References Cited**

U.S. PATENT DOCUMENTS

74,489 A 2/1868 Bidwell
824,867 A 7/1906 Houghton

(Continued)

FOREIGN PATENT DOCUMENTS

CA 2 154 470 8/1994

(Continued)

OTHER PUBLICATIONS

Advertisement for Codman Anterior Cervical Plate System by Codman; Johnson & Johnson; Professional, Inc.; undated.

(Continued)

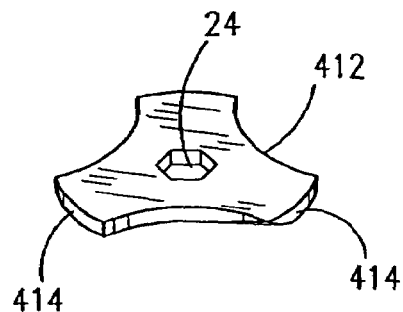
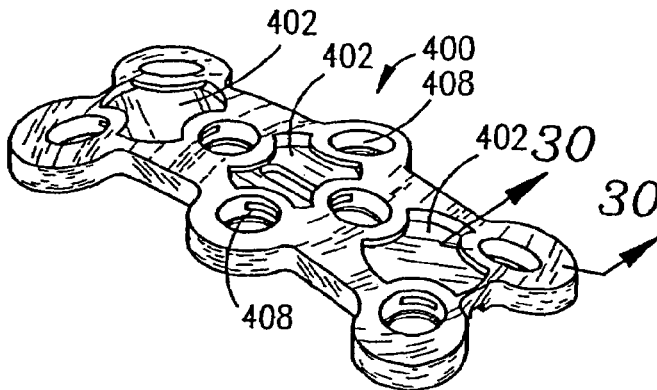
Primary Examiner—Pedro Philogene

(74) *Attorney, Agent, or Firm*—Martin & Ferraro, LLP

(57) **ABSTRACT**

Anatomically contoured anterior cervical plates with bone ingrowth surfaces, providing for intersegmental compressive preloading, and a rigid and locked interface to all of the bone screws, with those engaging the vertebrae deployed in highly convergent pairs. The bone screws have a tapered self-tapping leading end, an increasing root diameter with a generally constant outer diameter with a thread that is narrow and sharp throughout and an enlarged head portion capable of an interference fit to the receiving holes of the plate. Instrumentation consists of plate holders, a compression apparatus and a pilot hole forming device that interlocks with the plate. Methods for spinal compression and bone hole preparation are provided.

19 Claims, 20 Drawing Sheets



U.S. PATENT DOCUMENTS							
1,105,105	A	7/1914	Sherman	5,167,662	A	12/1992	Hayes et al.
2,423,511	A	7/1947	Luben et al.	5,180,381	A	1/1993	Aust et al.
2,526,959	A	10/1950	Lorenzo	5,190,544	A	3/1993	Chapman et al.
2,550,867	A	5/1951	Rosan	5,209,751	A	5/1993	Farris et al.
2,757,457	A	8/1956	Ziegelski, Sr.	5,211,664	A	5/1993	Tepic et al.
2,825,329	A	3/1958	Ceasar	5,217,497	A	6/1993	Mehdian
3,244,170	A	4/1966	McElvenny	5,234,430	A	8/1993	Huebner
3,386,437	A	6/1968	Treace	5,234,431	A	* 8/1993	Keller 606/70
3,604,414	A	9/1971	Borges	5,250,048	A	10/1993	Gundolf
3,709,219	A	1/1973	Halloran	5,261,910	A	11/1993	Warden et al.
3,741,205	A	6/1973	Markolf	5,275,601	A	1/1994	Gogolewski et al.
3,750,652	A	8/1973	Sherwin	5,290,288	A	3/1994	Vignaud et al.
3,840,014	A	10/1974	Ling et al.	5,300,073	A	4/1994	Ray et al.
3,842,825	A	10/1974	Wagner	5,300,074	A	4/1994	Frigg
3,866,523	A	2/1975	Geschwender	5,306,307	A	4/1994	Senter et al.
3,960,147	A	6/1976	Murray	5,324,290	A	6/1994	Zdeblick et al.
4,047,524	A	9/1977	Hall	5,338,197	A	8/1994	Kwan
4,069,586	A	1/1978	Skelton	5,348,026	A	9/1994	Davidson
4,081,309	A	3/1978	Jenkins	5,364,399	A	* 11/1994	Lowery et al. 606/69
4,102,339	A	7/1978	Weber et al.	5,380,324	A	1/1995	Muller et al.
4,164,794	A	8/1979	Spector et al.	5,380,327	A	1/1995	Eggers et al.
4,219,015	A	8/1980	Steinemann	5,380,328	A	1/1995	Morgan
4,338,926	A	7/1982	Kummer et al.	5,395,371	A	3/1995	Miller et al.
4,388,921	A	6/1983	Sutter et al.	5,397,363	A	3/1995	Gelbard
RE31,628	E	7/1984	Allgower et al.	5,405,391	A	4/1995	Hednerson et al.
4,484,570	A	11/1984	Sutter et al.	5,423,826	A	6/1995	Coates et al.
4,488,543	A	12/1984	Tornier	5,429,639	A	7/1995	Judet
4,493,317	A	1/1985	Klaue	5,443,467	A	8/1995	Biedermann et al.
4,503,848	A	3/1985	Caspar et al.	5,456,685	A	10/1995	Huebner
4,542,539	A	9/1985	Rowe, Jr. et al.	5,458,653	A	10/1995	Davidson
4,563,489	A	1/1986	Urist	5,468,242	A	11/1995	Reisberg
4,573,458	A	3/1986	Lower	5,478,340	A	12/1995	Kluger
4,596,574	A	6/1986	Urist	5,478,348	A	12/1995	Bajada
4,599,086	A	7/1986	Doty	5,487,741	A	1/1996	Maruyama et al.
4,628,923	A	12/1986	Medoff	5,487,743	A	1/1996	Laurain et al.
4,651,724	A	3/1987	Berentey et al.	5,492,442	A	2/1996	Lasner
4,683,108	A	7/1987	Balog	5,520,687	A	5/1996	Howland
4,733,657	A	3/1988	Kluger	5,520,690	A	5/1996	Errico et al.
4,743,256	A	5/1988	Brantigan	5,527,310	A	6/1996	Cole et al.
4,781,183	A	11/1988	Casey et al.	5,527,314	A	6/1996	Brumfield et al.
4,794,918	A	1/1989	Wolter	5,531,554	A	7/1996	Jeanson et al.
4,838,252	A	6/1989	Klaue	5,531,746	A	7/1996	Errico et al.
4,863,475	A	9/1989	Andersen et al.	5,534,027	A	7/1996	Hodorek
4,896,661	A	1/1990	Bogert et al.	5,545,163	A	8/1996	Miller et al.
4,898,161	A	2/1990	Grunde	5,545,164	A	8/1996	Howland
4,917,704	A	4/1990	Frey et al.	5,545,165	A	8/1996	Biedermann et al.
4,923,471	A	5/1990	Morgan	5,545,166	A	8/1996	Howland
4,929,247	A	5/1990	Rayhack	5,549,612	A	* 8/1996	Yapp et al. 606/69
4,950,270	A	8/1990	Bowman et al.	5,558,674	A	9/1996	Heggeness et al.
4,955,908	A	9/1990	Frey et al.	5,562,663	A	10/1996	Wisnewski et al.
4,957,495	A	9/1990	Kluger	5,562,672	A	10/1996	Huebner et al.
4,957,496	A	9/1990	Schmidt	5,569,251	A	10/1996	Baker
4,959,065	A	9/1990	Arnett et al.	5,578,034	A	11/1996	Estes
4,961,740	A	10/1990	Ray et al.	5,582,612	A	12/1996	Lin
5,000,166	A	3/1991	Karpf	5,593,409	A	1/1997	Michelson
5,013,313	A	5/1991	Surer	5,601,553	A	* 2/1997	Trebing et al. 606/61
5,019,079	A	5/1991	Ross	5,607,426	A	3/1997	Ralph et al.
5,041,113	A	8/1991	Biedermann et al.	5,616,142	A	4/1997	Yuan et al.
5,052,373	A	10/1991	Michelson	5,616,144	A	4/1997	Yapp et al.
5,053,036	A	10/1991	Perren et al.	5,620,443	A	4/1997	Gertzbein et al.
5,059,194	A	10/1991	Michelson	5,643,265	A	7/1997	Errico et al.
5,071,437	A	12/1991	Steffee	5,662,652	A	9/1997	Schafer et al.
5,084,051	A	1/1992	Tormala et al.	5,662,655	A	9/1997	Laboureau et al.
5,085,660	A	2/1992	Lin	5,672,175	A	9/1997	Martin
5,108,395	A	4/1992	Laurain	5,676,666	A	10/1997	Oxland et al.
5,108,399	A	4/1992	Eitenmuller et al.	5,676,703	A	10/1997	Gelbard
5,127,912	A	7/1992	Ray et al.	5,681,311	A	10/1997	Foley et al.
5,127,914	A	7/1992	Calderale et al.	5,702,396	A	12/1997	Hoening et al.
5,129,899	A	7/1992	Small et al.	5,718,705	A	2/1998	Sammarco
5,147,361	A	9/1992	Ojima et al.	5,725,588	A	3/1998	Errico et al.
5,151,103	A	9/1992	Tepic et al.	5,733,287	A	3/1998	Tepic et al.
				5,735,853	A	4/1998	Olerud
				5,735,899	A	4/1998	Schwartz et al.

5,755,796 A	5/1998	Ibo et al.	WO	95/26164	10/1995
5,766,254 A	6/1998	Gelbard	WO	WO 95/26164	10/1995
5,772,437 A	6/1998	Rangert et al.	WO	95/31941	11/1995
5,772,661 A	6/1998	Michelson	WO	WO 95/31941	11/1995
5,776,199 A	7/1998	Michelson	WO	95/35067	12/1995
5,782,830 A	7/1998	Farris	WO	WO 96/05778	2/1996
D402,032 S	12/1998	Stone	WO	96/08206	3/1996
5,849,012 A	12/1998	Abboudi	WO	WO 96/32071 A1	10/1996
5,860,973 A	1/1999	Michelson	WO	96/39975	12/1996
5,868,749 A	2/1999	Reed	WO	94/17744	8/1997
D406,646 S	3/1999	Stone	WO	99/56653	11/1999
5,876,402 A	3/1999	Errico et al.			
5,876,446 A	3/1999	Agrawal et al.			
5,879,389 A	3/1999	Koshino			
5,888,223 A	3/1999	Bray, Jr.			
5,899,904 A	5/1999	Errico et al.			
5,931,838 A	8/1999	Vito			
5,954,722 A	9/1999	Bono			
5,984,967 A	11/1999	Zdeblick et al.			
6,022,350 A	2/2000	Ganem			
6,030,389 A	2/2000	Wagner et al.			
6,102,951 A	8/2000	Sutter et al.			
6,123,709 A	9/2000	Jones			
6,139,550 A	10/2000	Michelson			
6,152,927 A	11/2000	Farris et al.			
6,193,719 B1	2/2001	Gournay et al.			
6,193,721 B1*	2/2001	Michelson		606/70	
6,235,034 B1	5/2001	Bray			
6,342,055 B1	1/2002	Eisermann et al.			
6,364,880 B1	4/2002	Michelson			
6,383,186 B1	5/2002	Michelson			
6,428,542 B1	8/2002	Michelson			
6,592,586 B1	7/2003	Michelson			
6,610,099 B1	8/2003	Albrektsson et al.			
6,620,163 B1	9/2003	Michelson			
6,916,320 B2	7/2005	Michelson			
6,923,810 B1	8/2005	Michelson			
7,077,844 B2	7/2006	Michelson			
7,534,254 B1	5/2009	Michelson			

OTHER PUBLICATIONS

AESCULAP Scientific Information Booklet; *Anterior Cervical Fusion and Interbody Stabilization with the Trapezial Osteosynthetic Plate Technique* by Wolfhard Casper; Feb. 1986.

Article from Plastic and Reconstructive Surgery; *Comparison of Compression and Torque Measurements of Self-Tapping and Pretapped Screws* by John T. Phillips, M.D., F.R.C.S. (C), and Berton A. Rahn, M.D., D.D.S.; Mar. 1989.

Article from The Journal of Prosthetic Dentistry; *Bone-implant interface structures after nontapping and tapping insertion of screw-type titanium alloy endosseous implants* by Keiichi Satomi, D.D.S.; Yasumasa Akagawa, D.D.S., Ph.D.; and Hiroshima Tsuru, D.D.S., Ph.D.; Mar. 1988; vol. 59, No. 3.

Brochure by SYNTHES Spine for *Cervical Spine Locking Plate*; 1991.

ORION Brochure; *Anterior Cervical Plate System, Surgical Technique*, as described by Gary L. Lowery, M.D., Ph.D.; 1996.

CODMAN Brochure; *Anterior Cervical Plate System*; Sep. 1995.

ACROMED; *AcroPlate Anterior Cervical System: Ordering Information for Implants and Instruments*; 1994.

ACROMED; *University Plate Titanium Anterior System: Ordering Information for Implants and Instruments*; 1994.

Article from The Surgeon; *The Anterior Plating of the Cervical Spine with the Titanium Hollow Screw System* by E. Morscher, F. Sutter, H. Jenny and S. Olerud; (1986).

Caspar et al.; *Experimental and Clinical Studies, Anterior Cervical Fusion and Caspar Plate Stabilization for Cervical Trauma*; Neurosurgery; vol. 25; No. 4; 1989; pp. 491-502.

Cloward Instrument Corporation; *Catalog, Cloward Instruments*; 1993; 1-38.

European Search Report dated Jan. 20, 2004 of corresponding European Patent Application No. 03028649.

European Search Report for EP 98 904937; date completed Jun. 21, 2001.

European Search Report for EP 98 906158; date completed Jun. 26, 2001.

Foley et al.; *Aline Anterior Cervical Plating System: Surgical Technique*; Surgical Dynamics; 1998; pp. 1-16.

Stryker Implants; *alpha plate*; 1997.

Synthes Spine; *New Additions, Cervical Spine Locking Plate System*; 1995; pp. 1-17.

Synthes Spine; *Product Profile*; 1993; pp. 1-8.

Synthes Spine; *The Titanium, Anterior Thoracolumbar Locking Plate System, Technique Guide*; 1994; pp. 1-13.

Advertisement for The AcuFix Anterior Cervical Plate System; Spinal Concepts; Prior to Jul. 1, 2004.

Acromed; *Kaneda Anterior Spinal Instrumentation System, Technical Manual*; Prior to Jul. 1, 2004.

Cloward Instrument Corporation; *Brochure, New Cloward Cervical Dislocation Reducer*; Catalog No. C17-1000; Prior to Jul. 1, 2004.

Cloward Instrument Corporation; *Brochure, New Cloward Lumber Vertebra Spreadec*; Ccatalog No. C61-1025/C61-1026; Prior to Jul. 1, 2004.

Bohler and Gaudernak, *Anterior Plate Stabilization for Fracture-Dislocations of the Lower Cervical Spine*, The Journal of Trauma, vol. 20, No. 3, pp. 203-205 (Mar. 1980).

Kotani et al., *Biomechanical Analysis of Cervical Stabilization Systems*, Spine, vol. 19, No. 22, pp. 2529-2539 (1994), prior to Jul. 1, 2004.

FOREIGN PATENT DOCUMENTS

CA	2 144 353	11/1995
DE	33 01 298 A1	2/1984
DE	36 30 863 A1	3/1988
DE	88 04 457 U1	6/1988
DE	4409833	10/1995
DE	4414781	11/1995
DE	195 42 116 A1	5/1997
EP	0 179 695 A1	4/1986
EP	0 242 842 A2	10/1987
EP	0 276 153 A2	7/1988
EP	0 455 255	11/1991
EP	0 491 983	7/1992
EP	0 538 895 A2	4/1993
EP	0 554 915	8/1993
EP	0 672 397 A1	9/1995
EP	0 689 800 A2	1/1996
EP	0 699 057	3/1996
EP	1 106 144	6/2001
FR	2 570 594 A1	3/1986
FR	2 739 151 A1	3/1997
FR	2 740 321	4/1997
JP	HEI 3-029663	2/1991
SU	1375252 A1	2/1988
SU	1560165 A1	4/1990
SU	1804317 A3	3/1993
WO	88/03781	6/1988
WO	WO 88/03781	6/1988
WO	90/02526	3/1990
WO	94/26193	11/1994
WO	95/11632	5/1995
WO	95/25474	9/1995

- Taha and Zuccarello, Orion Anterior Cervical Plate System, *Neurosurgery*, vol. 38, No. 3, pp. 607-610 (Mar. 1996).
- Weis et al., In Vitro Biomechanical Comparison of Multistrand Cables with Conventional Cervical Stabilization, *Spine*, vol. 21, No. 8, pp. 2108-2114 (1996), prior to Jul. 1, 2004.
- Peak Fixation System Anterior Compression Plate Product Catalog, 8 pages (Deputy Motech, Inc. 1996), prior to Jul. 1, 2004.
- Dickman et al., Technique of Screw Fixation of the Cervical Spine, *BNI Quarterly*, vol. 8, No. 2 pp. 9-26 (Spring 1992), prior to Jul. 1, 2004.
- Baldwin et al., *J. Neurosurgery*, vol. 83, No. 4, cover page and pp. 741-743 (Oct. 1995).
- Ebraheim et al., *Orthopedics*, vol. 18, No. 2, cover page and pp. 141-147 (Feb. 1995).
- Kostuik et al., *Spine*, vol. 18, No. 10, pp. 1273-1278 (1993), prior to Jul. 1, 2004.
- Rengachery et al., "Stabilization of the Cervical Spine with the Locking Plate System" in *Techniques in Spinal Fusion and Stabilization*, pp. 176-190 (1995), prior to Jul. 1, 2004.
- Suh et al., *Spine*, vol. 15, No. 10, cover page and pp. 1079-1081 (Nov. 1990).
- Zimmer Product Encyclopedia (Zimmer USA Jun. 1978).
- Codman Anterior Cervical Plate System, 1 page (advertised in *Spine*, vol. 20, No. 13 (Sep. 1995)).
- Acromed; AcroPlate Anterior Cervical System: Ordering Information for Implants and Instruments; 6 pages (Jan. 1994).
- Cervical Spine Locking Plate System, 20 pages (Synthes Spine, Inc. Oct. 1995).
- Orion Brochure, Anterior Cervical Plate System, Surgical Technique, as described by Gary L. Lowery, M.D., Ph.D., 25 pages (Jul. 1996).
- Baldwin et al., Failure of a titanium anterior cervical plate implant: microstructural analysis of failure, Case Report, *J. Neurosurgery*, vol. 83, No. 4, cover page and pp. 741-743 (Oct. 1995).
- Ebraheim et al., Osteosynthesis of the Cervical Spine With an Anterior Plate, *Orthopedics*, vol. 18, No. 2, cover page and pp. 141-147 (Feb. 1995).
- Kostuik et al., Anterior Cervical Plate Fixation with the Titanium Hollow Screw Plate System, *Spine*, vol. 18, No. 10, pp. 1273-1278 (1993), prior to Jul. 1, 2004.
- Suh et al., Anterior Cervical Plate Fixation with the Titanium Hollow Screw Plate System, A Preliminary Report, *Spine*, vol. 15, No. 10, cover page and pp. 1079-1081 (Nov. 1990).
- Bohler and Gaudernak, Anterior Plate Stabilization for Fracture-Dislocations of the Lower Cervical Spine, *The Journal of Trauma*, vol. 20, No. 3, pp. 203-205 (Mar. 1980).
- Orion Brochure, Anterior Cervical Plate System, Surgical Technique, as described by Gary L. Lowery, M.D., Ph.D. (Jul. 1996); pp. 1-24 plus 1 page.
- Caspar et al., *Experimental and Clinical Studies, Anterior Cervical Fusion and Caspar Plate Stabilization for Cervical Trauma*; *Neurosurgery*; vol. 25; No. 4; 1989; pp. 491-502.
- Synthes Spine; *New Additions, Cervical Spine Locking Plate System*; 1995; pp. 1-17, plus 3 pages.
- Relevant portions of the '586 patent file history. Including: File Wrapper Jacket (1 page); Application filed Jul. 17, 2000 (pp. 1-161); Restriction requirement mailed May 18, 2001 (5 pages); Reply to Restriction Requirement mailed Sep. 18, 2001 (2 pages); Office Action mailed Dec. 6, 2001 (6 pages); Fee Record Sheet (1 page); Bib Data Sheet (1 page); Amendment faxed Jun. 6, 2002 (35 pages); Amendment faxed Aug 29, 2002 (21 pages); Notice of Allowability mailed Sep. 10, 2002 (8 pages); Amendment mailed Dec. 10, 2002 (27 pages); Amendment faxed Feb. 25, 2003 (13 pages); Notice of Allowability mailed Mar. 4, 2003 (5 pages); Amendment mailed Apr. 8, 2003 (2 pages); Office Communication mailed May 8, 2003 (2 pages).
- Relevant portions of U.S. Appl. No. 09/669,912. Including: File Wrapper Jacket (1 page); Amendment mailed Sep. 24, 2001 (17 pages).
- Relevant portions of U.S. Appl. No. 11/110,161. Including: Continuing Application Transmittal filed Apr. 20, 2005 (1 page); Office Action mailed Sep. 3, 2008 (13 pages).
- Relevant portions of the '542 patent file history. Including: File Wrapper Jacket (1 page); Amendment faxed Nov. 19, 2001 (15 pages); Notice of Allowability mailed Dec. 5, 2001 (4 pages); and Amendment faxed Mar. 6, 2002 (12 pages).
- Relevant portions of the '050 patent filed history. Including: Continuing Application Transmittal filed Apr. 9, 2003 (1 page); Notice of Allowability with two initialed PTO/SB/08s mailed Feb. 24, 2005 (9 pages).
- Relevant portions of the '320 patent file history. Including: Divisional Application transmittal filed Sep. 24, 2002 (1 page); Amendment mailed Sep. 24, 2002 (8 pages); Office Action mailed Nov. 26, 2004 (7 pages); Interview Summary mailed Mar. 1, 2005 (2 pages); Amendment faxed Mar. 2, 2005 (13 pages).
- Relevant portions of the '390 patent file history. Including: Continuing Application Transmittal with claims filed Mar. 11, 2003 (8 pages); Notice of Allowance with initialed PTO/SB/08s and 892 mailed Feb. 24, 2005 (15 pages).
- Relevant portions of the '051 patent file history. Including: Continuing Application Transmittal filed Apr. 10, 2003 (1 page); Notice of Allowability with initialed PTC/SB/08s mailed Feb. 24, 2005 (9 pages).
- Relevant portions of U.S. Appl. No. 10/802,906. Including: Continuing Application Transmittal filed Mar. 17, 2004 (1 page); Office Action mailed Dec. 10, 2008 (10 pages).
- NuVasive HELIX ACP Surgical Technique; 2008; cover page, pp. 1-21, and back page.
- Relevant portions of U.S. Appl. No. 10/938,380. Including: Advisory Action mailed January 7, 2009 (3 pages); Continuing Application Transmittal mailed September 10, 2004 (1 page); Office Action mailed Oct. 2, 2007 (10 pages); Amendment and Information Disclosure Statement faxed Jan. 2, 2008 (20 pages).
- Relevant portions of U.S. Appl. No. 10/938,380. Including: Advisory Action mailed Jan. 7, 2009 (3 pages); Continuing Application Transmittal mailed Sep. 10, 2004 (1 page).
- Relevant portions of U.S. Appl. No. 10/938,380. Including: Office Action mailed Oct. 2, 2007 (10 pages); Amendment with Information Disclosure Statement faxed Jan. 2, 2008 (20 pages).
- Relevant portions of U.S. Appl. No. 09/618,036. Including: File Wrapper Jacket (1 page); Application filed Jul. 17, 2000 (pp. 1, 79-160); Amendment faxed Jul. 11, 2002 (11 pages); Office Action with initialed PTO/SB/08s and PTO-892 mailed Aug. 5, 2002 (11 pages); Amendment faxed Jan. 9, 2003 (26 pages); Amendment faxed Jan. 14, 2003 (12 pages); Notice of Allowability with initialed PTO/SB/08 mailed Jan. 21, 2003 (6 pages).
- Relevant portions of U.S. Appl. No. 09/022,293. Including: File wrapper Jacket (1 page); Patent Application Transmittal filed Feb. 11, 1998 (1 page); Fee Transmittal mailed Feb. 11, 1998 (1 page); Application filed on Feb. 11, 1998 (pp. 1, 73-148); Restriction Requirement mailed Mar. 23, 1999 (5 pages); Reply to Restriction Requirement mailed Jul. 22, 1999 (2 pages); Office Action with initialed PTO/SB/08 and PTO-892 mailed Oct. 13, 1999 (14 pages); Reply to Office Action mailed Apr. 13, 2000 (17 pages, 2 copies); Notice of Allowability with initialed PTO/SB/08 mailed Sep. 26, 2000 (5 pages).
- Relevant portions of U.S. Appl. No. 09/022,293. Including: File Wrapper Jacket (1 page); Restriction Requirement mailed Mar. 23, 1999 (6 pages); Reply to Restriction Requirement mailed Jul. 22, 1999 (2 pages); Office Action mailed Oct. 13, 1999 (11 pages); Application filed on Feb. 11, 1998 (pp. 1-149); Reply to Office Action mailed Apr. 13, 2000 (17 pages); Notice of Allowability mailed Sep. 26, 2000 (3 pages).
- Portions of U.S. Appl. No. 09/022,293. Including: File Wrapper Jacket (1 page); Application filed on Feb. 11, 1998 (pp. 1-102); Restriction Requirement mailed Mar. 23, 1999 (6 pages); Reply to Restriction Requirement mailed Jul. 22, 1999 (2 pages); Office Action mailed Oct. 13, 1999 (11 pages); Reply to Office Action mailed Apr. 13, 2000 (17 pages).
- Request for Inter Partes Reexamination of U.S. Patent No. 6,428,542, dated Mar. 9, 2009, cover page and pp. 1-71.
- Corrected Request for Inter Partes Reexamination of U.S. Patent No. 6,428,542, dated Apr. 6, 2009, cover page and pp. 1-74.
- Second Corrected Request for Inter Partes Reexamination of U.S. Patent No. 6,428,542, dated May 20, 2009, pp. 1-82.

US 7,704,255 B2

Page 5

Request for Inter Partes Reexamination of U.S. Patent No. 6,592,586, dated Mar. 9, 2009, cover page and pp. 1-101.

Corrected Request for Inter Partes Reexamination of U.S. Patent No. 6,592,586, dated May 18, 2009, pp. 1-108.

Request for Inter Partes Reexamination of U.S. Patent No. 6,936,050, dated Mar. 9, 2009, cover page and pp. 1-53.

Request for Inter Partes Reexamination of U.S. Patent No. 6,916,320, dated Mar. 9, 2009, cover page and pp. 1-33.

Corrected Request for Inter Partes Reexamination of U.S. Patent No. 6,916,320, dated Apr. 6, 2009, pp. 1-35.

Request for Inter Partes Reexamination of U.S. Patent No. 6,969,390, dated Mar. 9, 2009, cover page and pp. 1-71.

Corrected Request for Inter Partes Reexamination of U.S. Patent No. 6,969,390, dated May 18, 2009, pp. 1-80.

Request for Inter Partes Reexamination of U.S. Patent No. 6,936,051, dated Mar. 9, 2009, cover page and pp. 1-51.

* cited by examiner

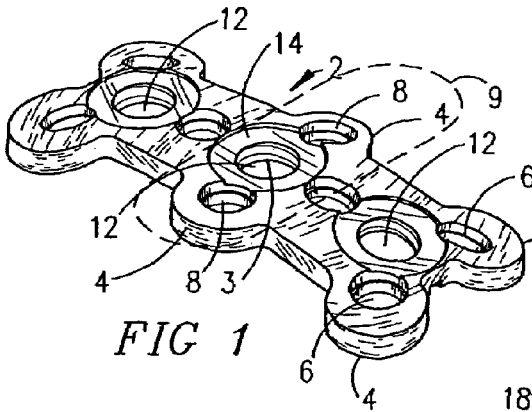


FIG 1

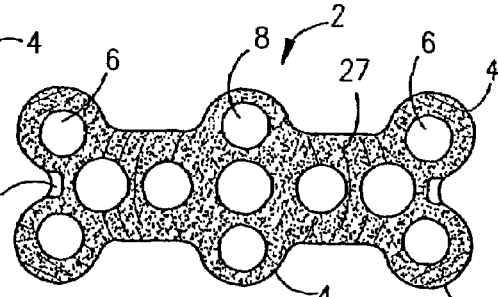


FIG 5

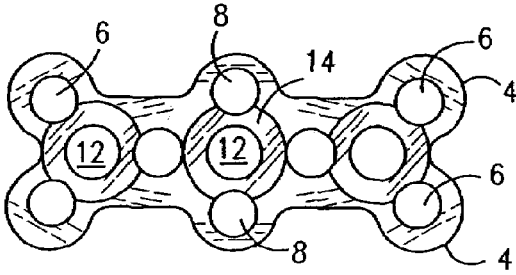


FIG 2

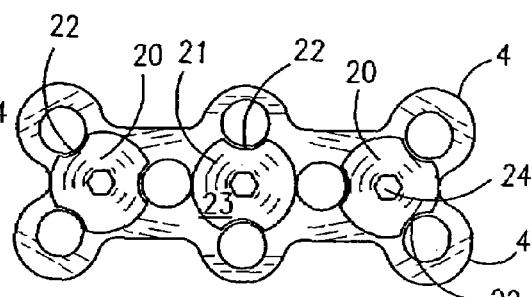


FIG 6

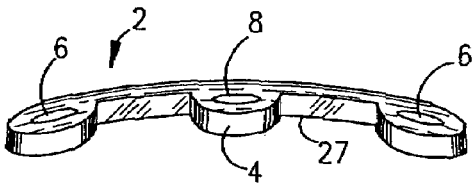


FIG 3

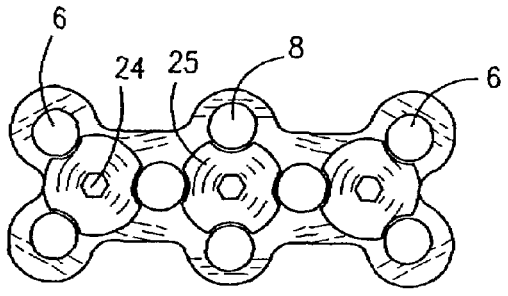


FIG 7

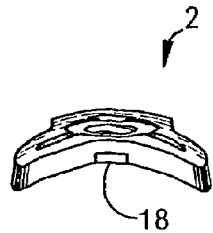


FIG 4

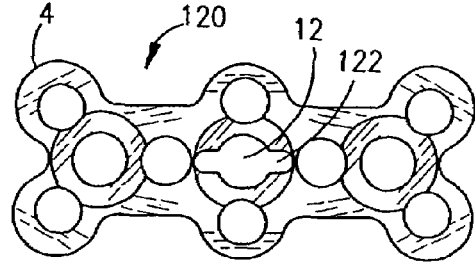


FIG 8

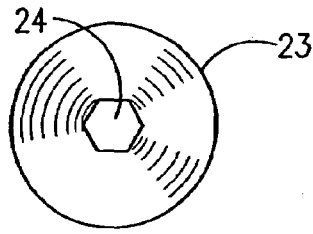


FIG 9

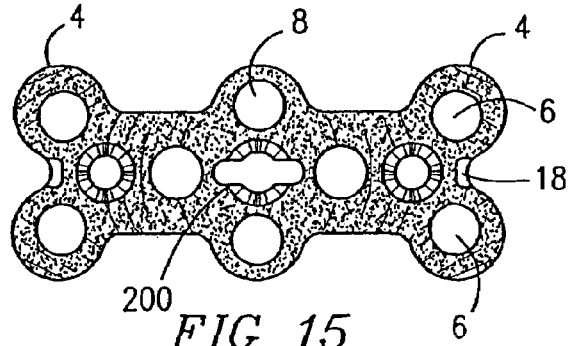


FIG 15

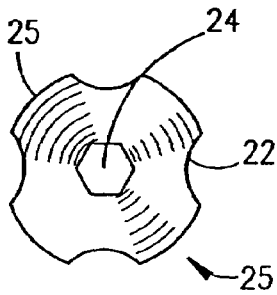


FIG 10

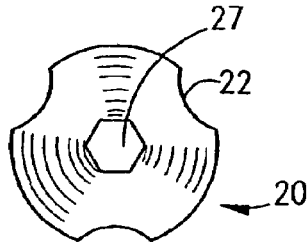


FIG 11

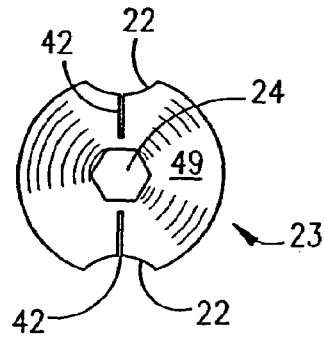


FIG 16

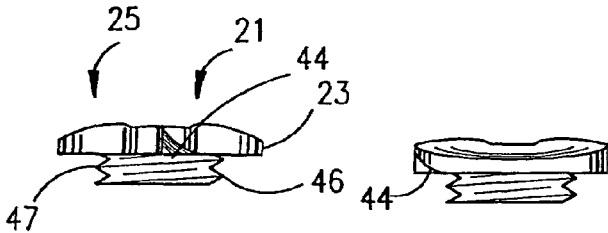


FIG 12

FIG 13

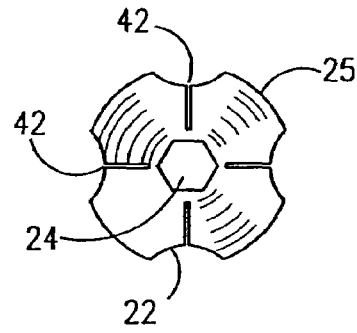


FIG 17

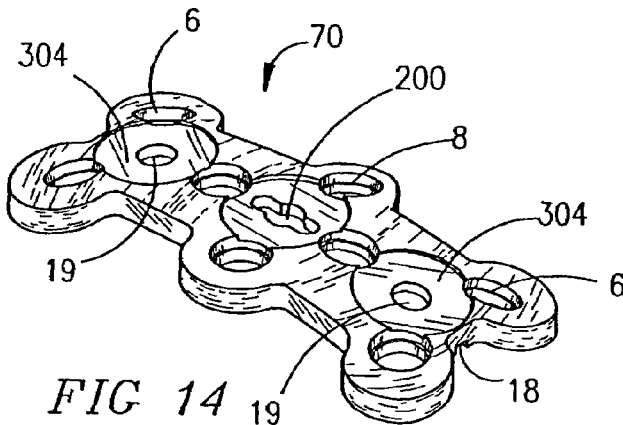


FIG 14

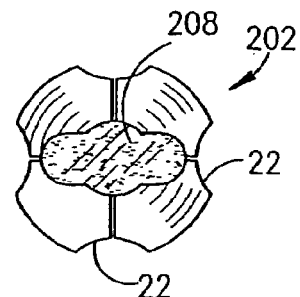


FIG 18

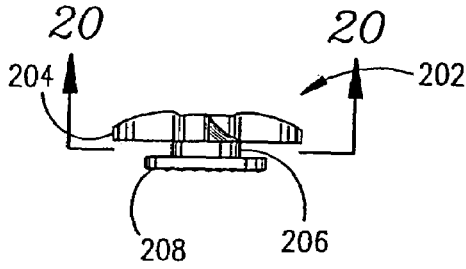


FIG 19

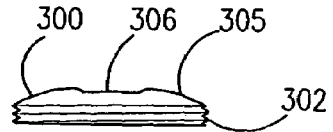


FIG 23

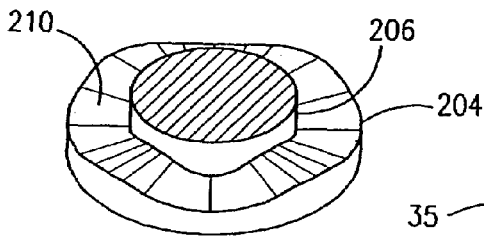


FIG 20

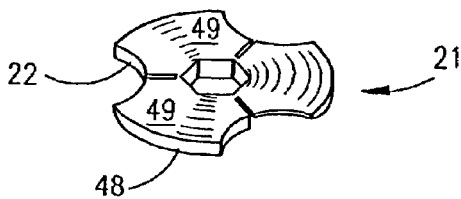


FIG 21

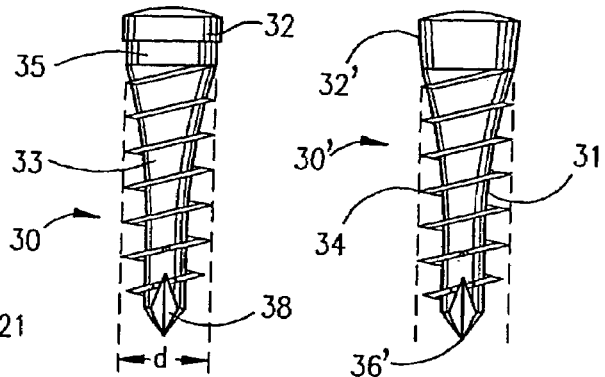


FIG 24A

FIG 25

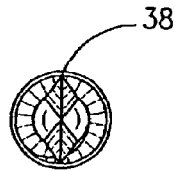


FIG 26

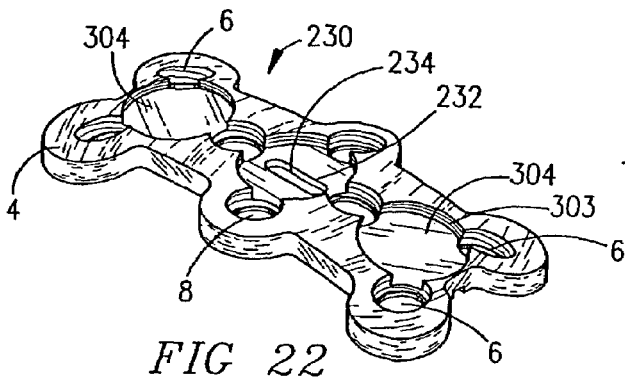


FIG 22

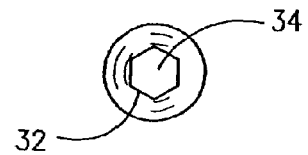


FIG 27

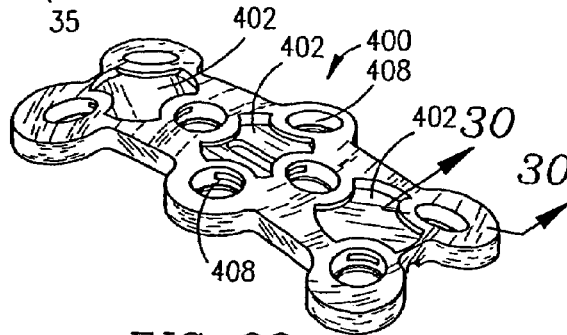
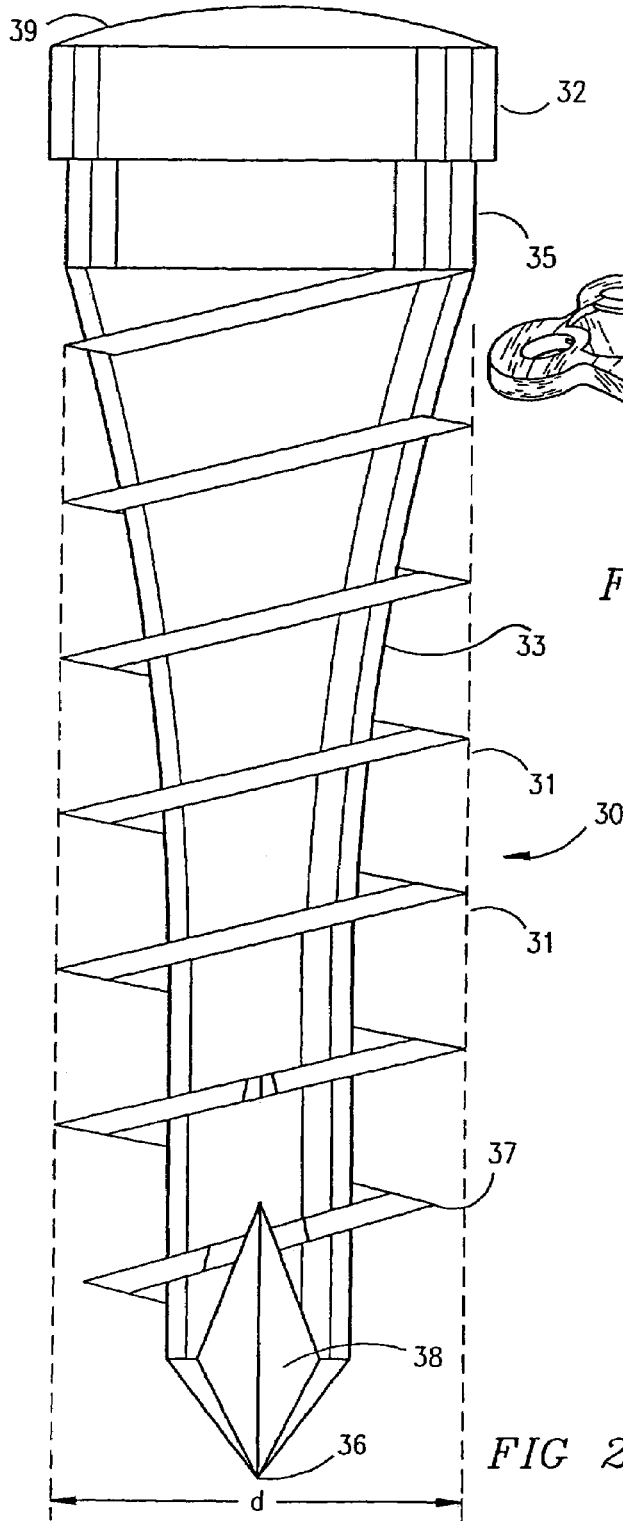


FIG 28

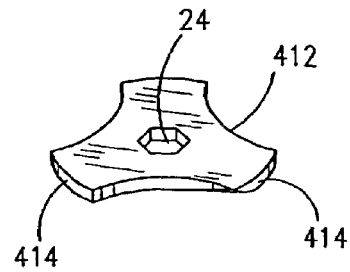


FIG 29

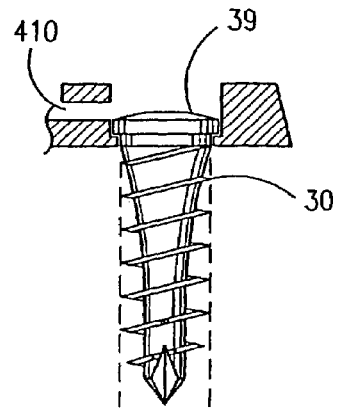
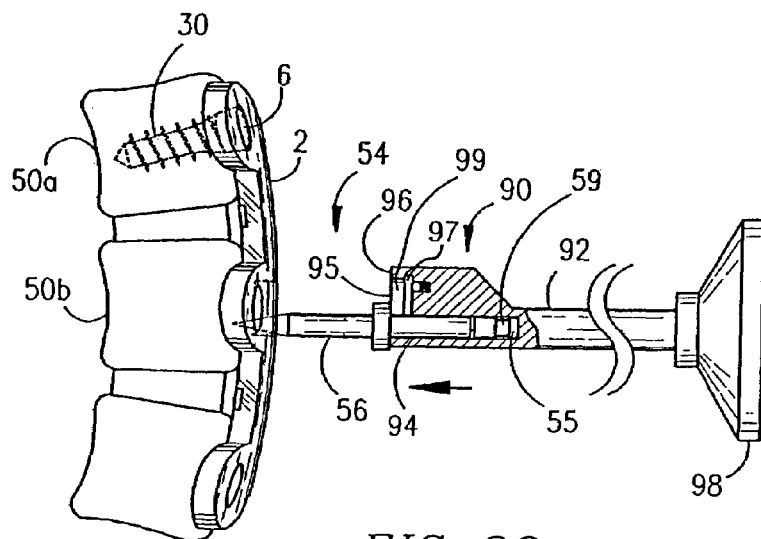
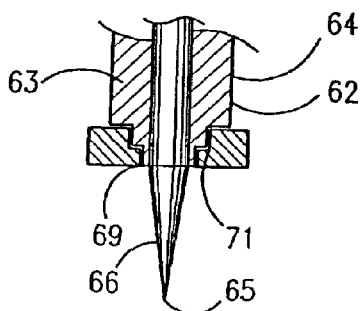
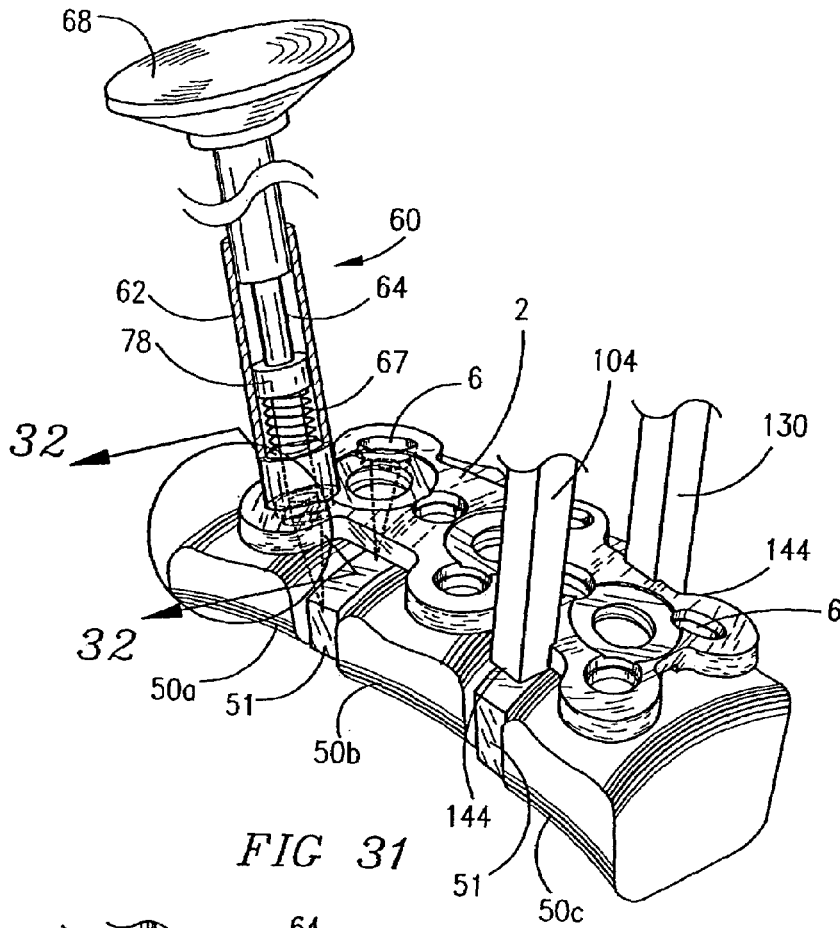


FIG 30

FIG 24B



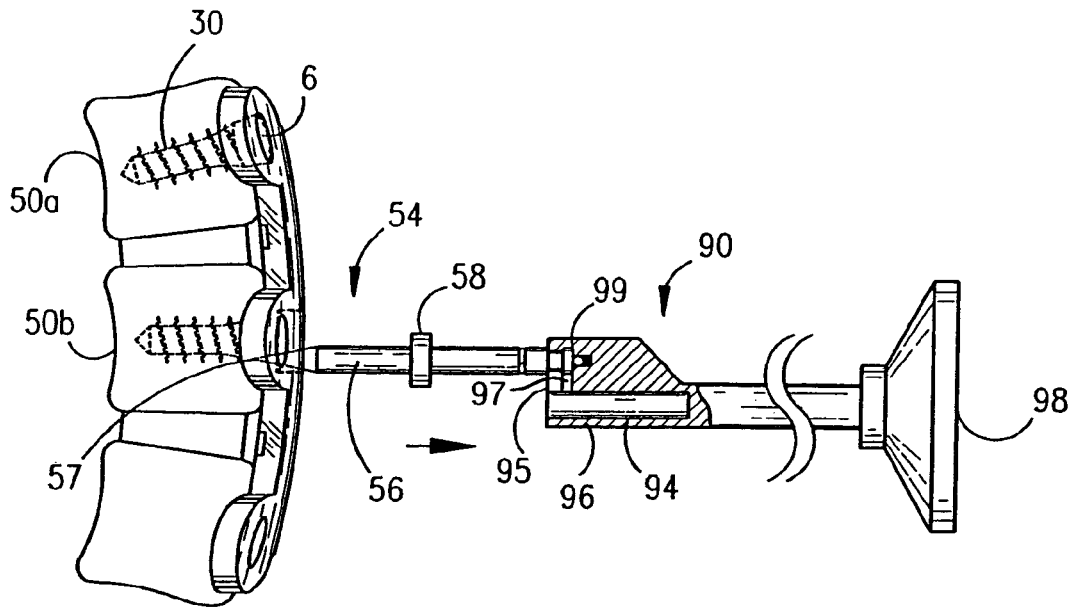


FIG 34

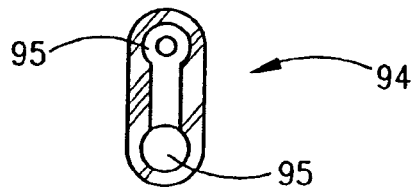


FIG 35

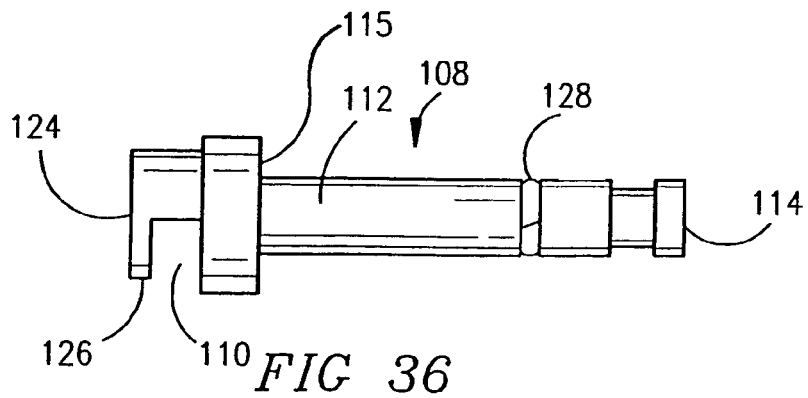


FIG 36

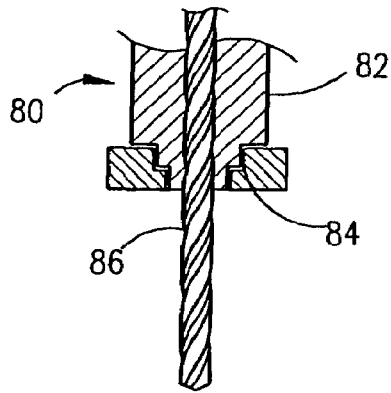


FIG 37

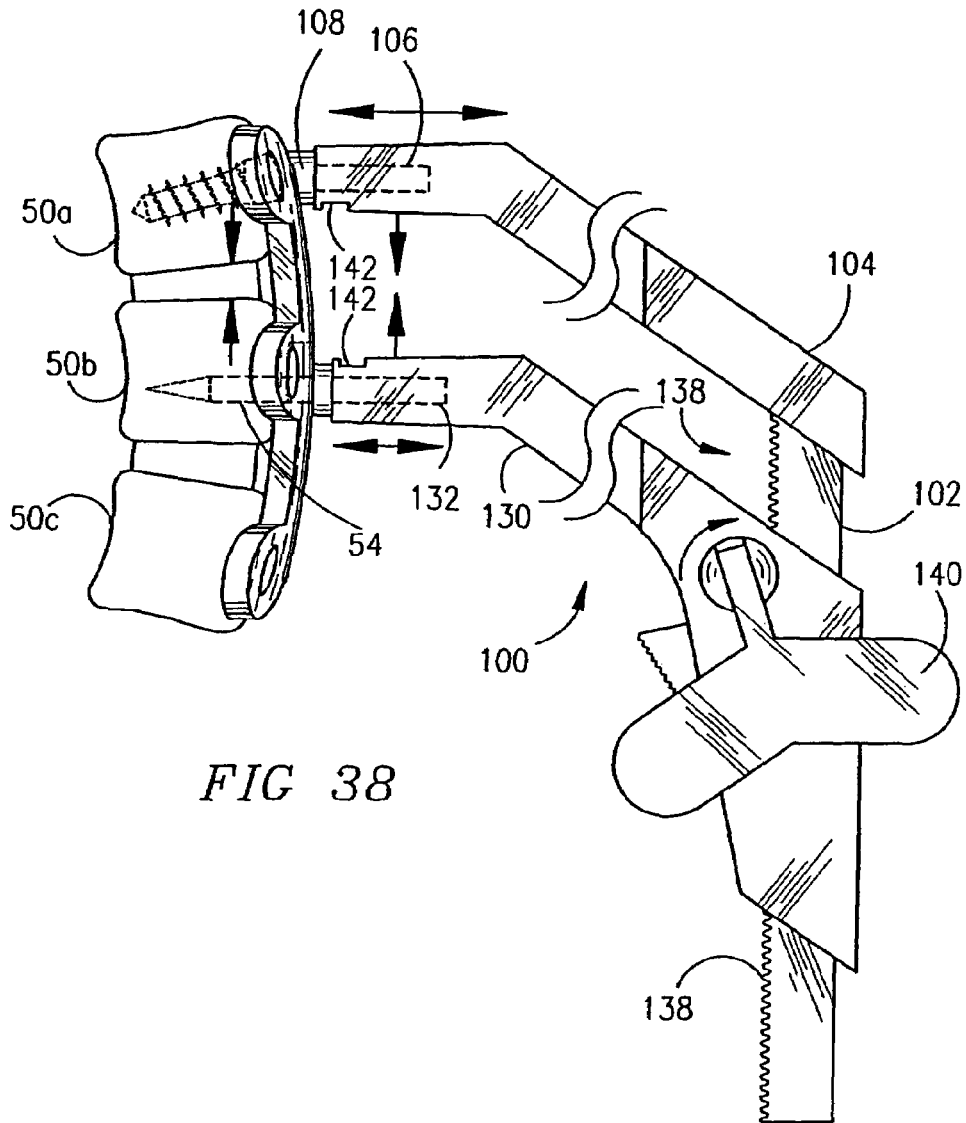


FIG 38

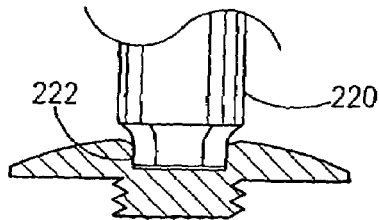
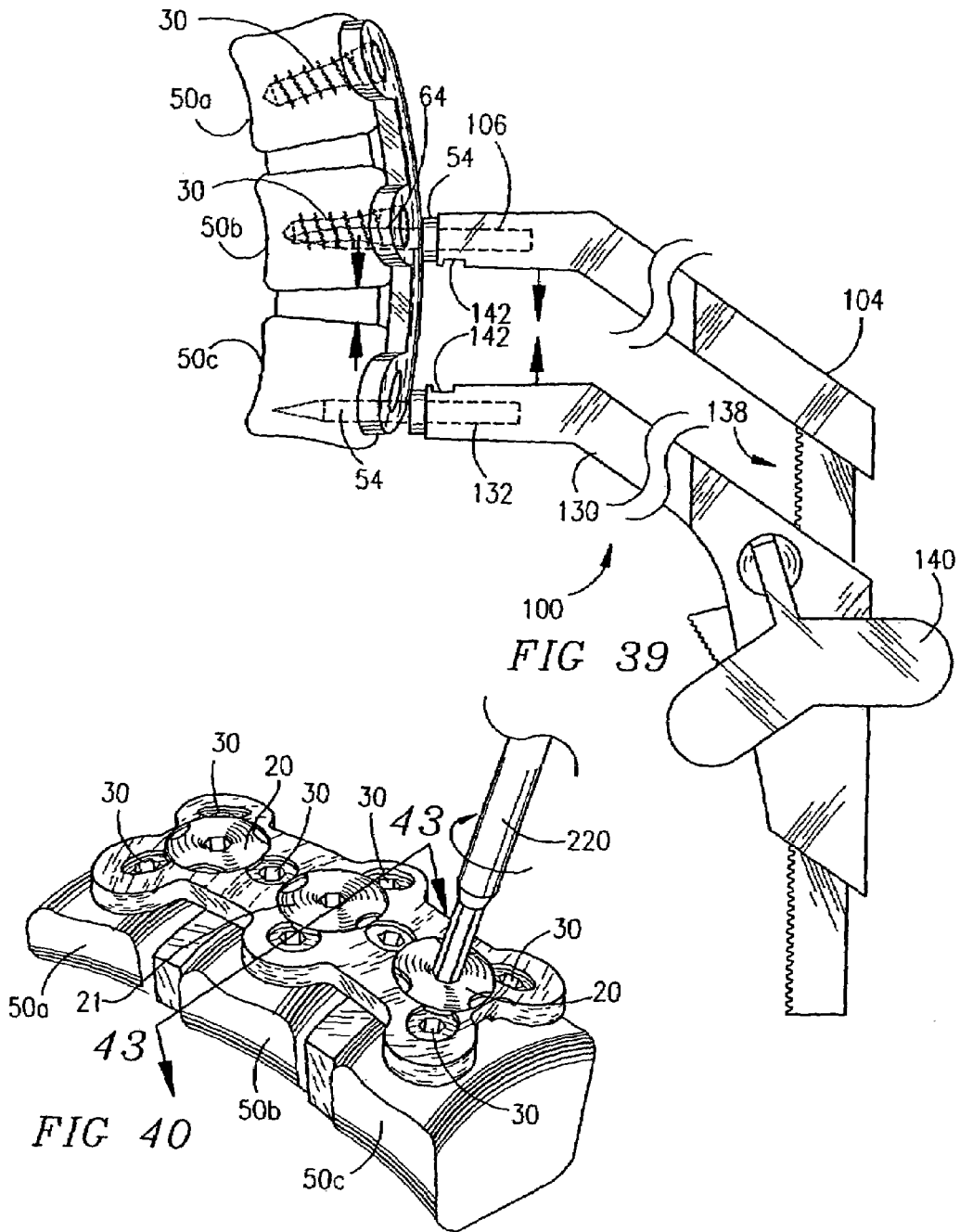


FIG 41

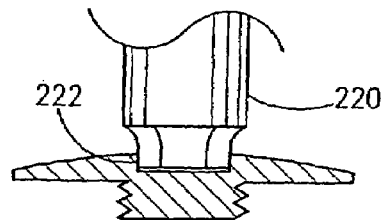


FIG 42

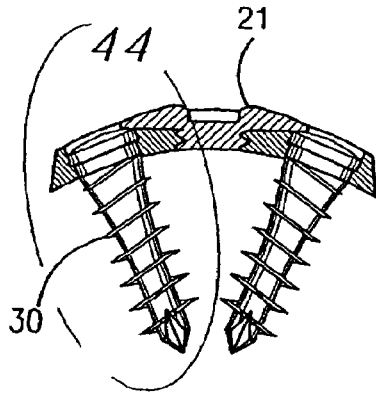


FIG 43

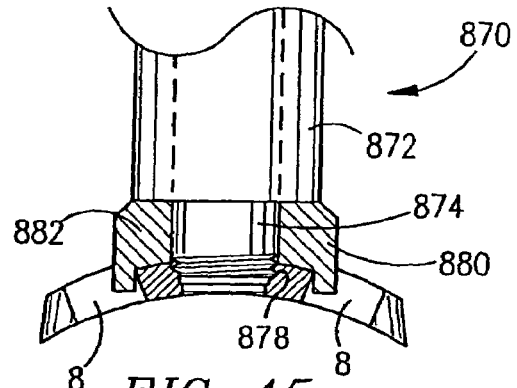


FIG 45

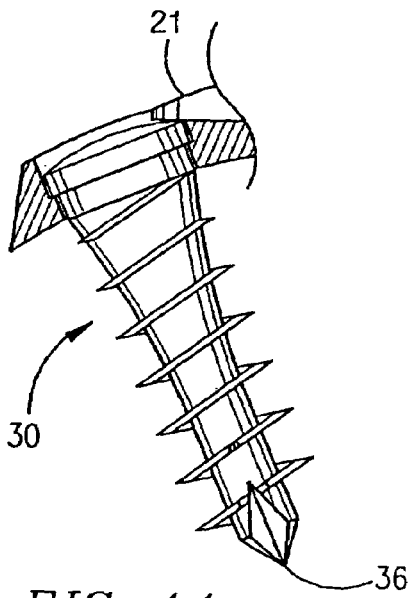


FIG 44

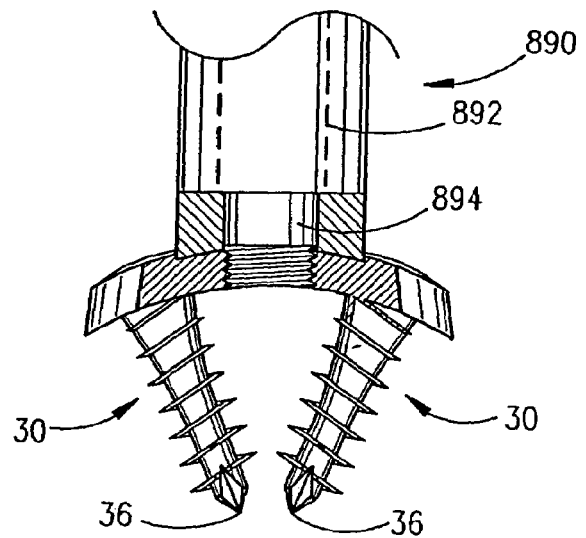
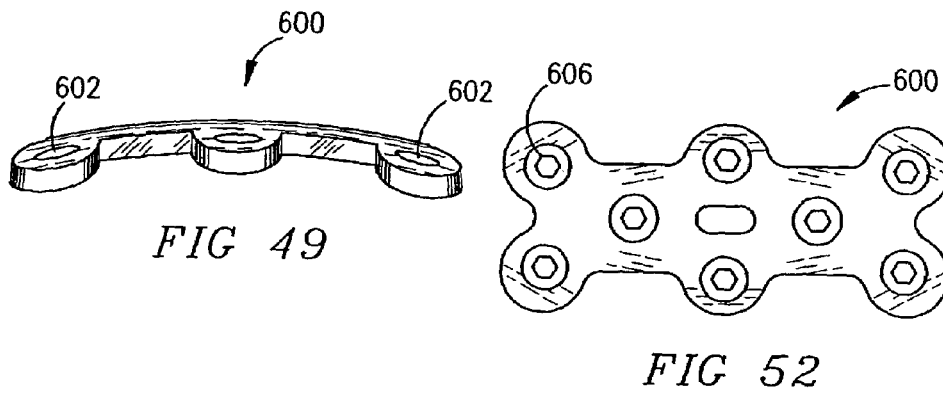
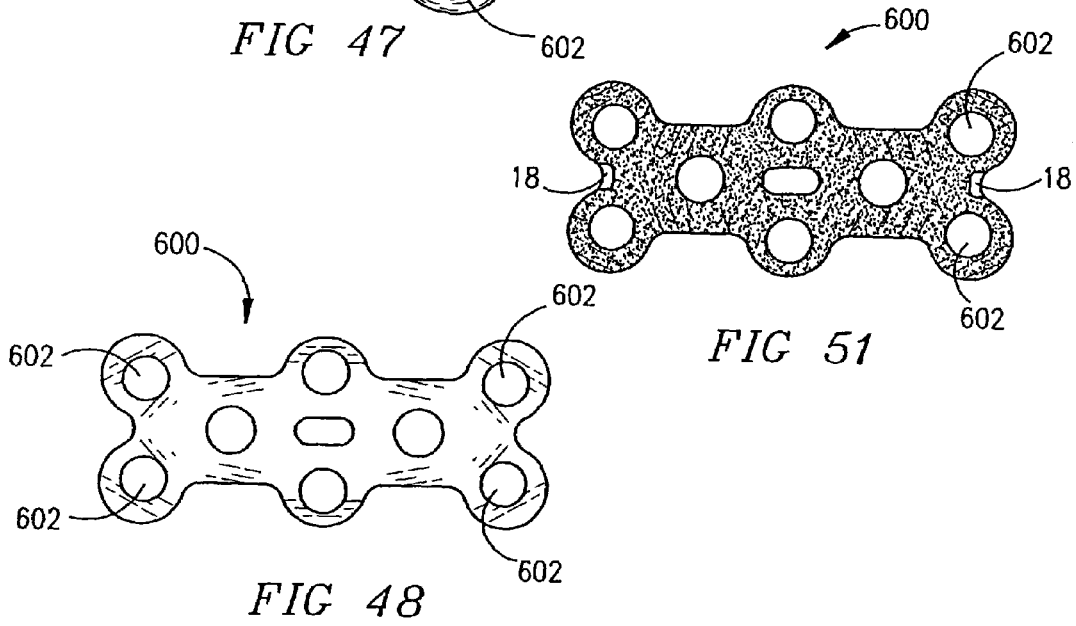
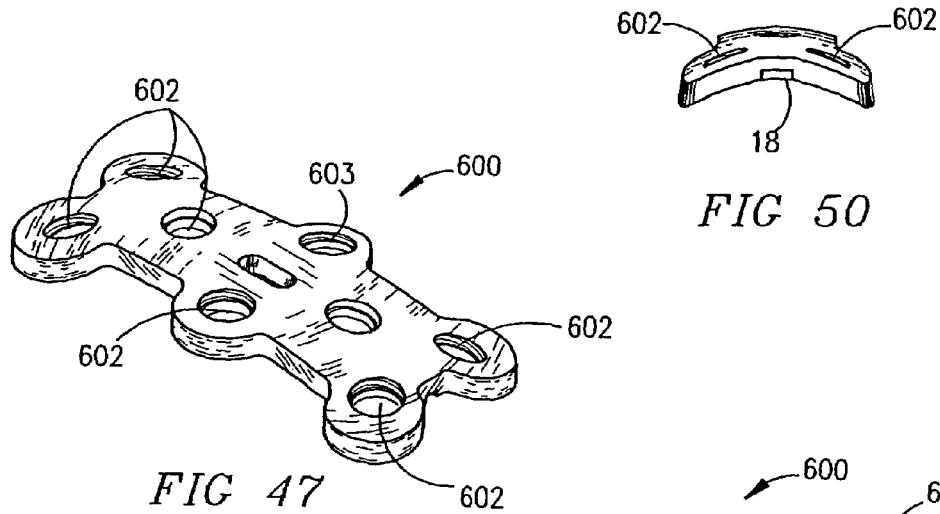


FIG 46



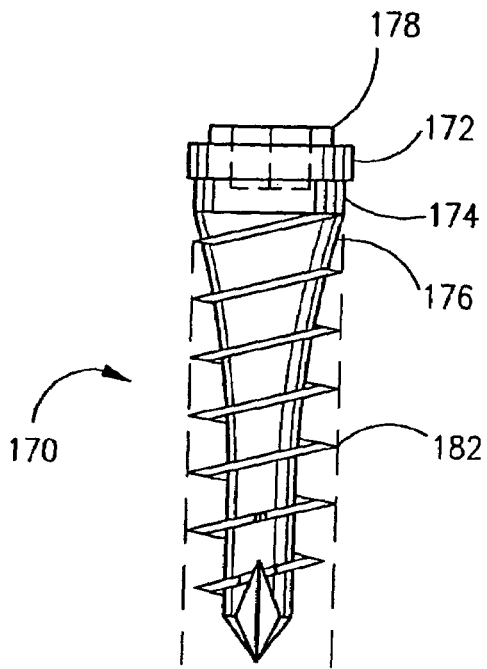


FIG 53

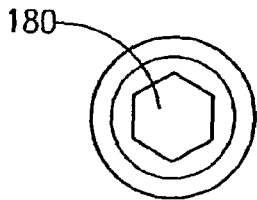


FIG 54

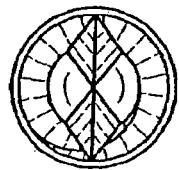


FIG 55

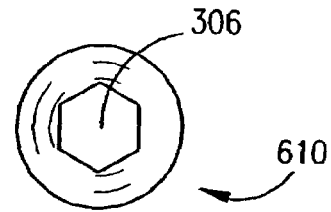


FIG 56

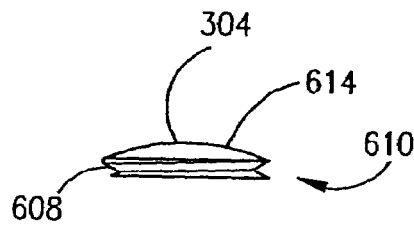


FIG 57

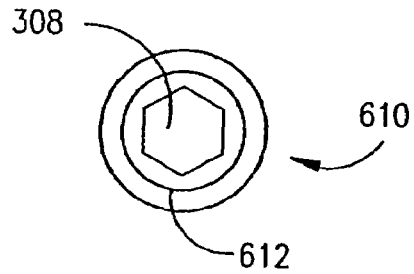


FIG 58

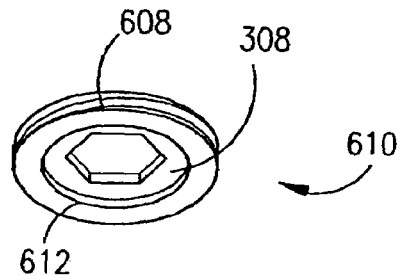
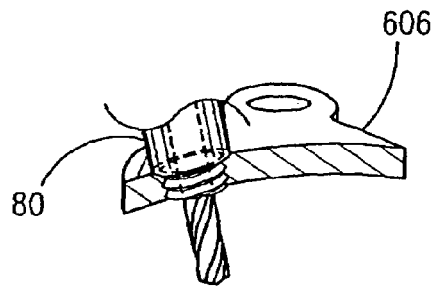
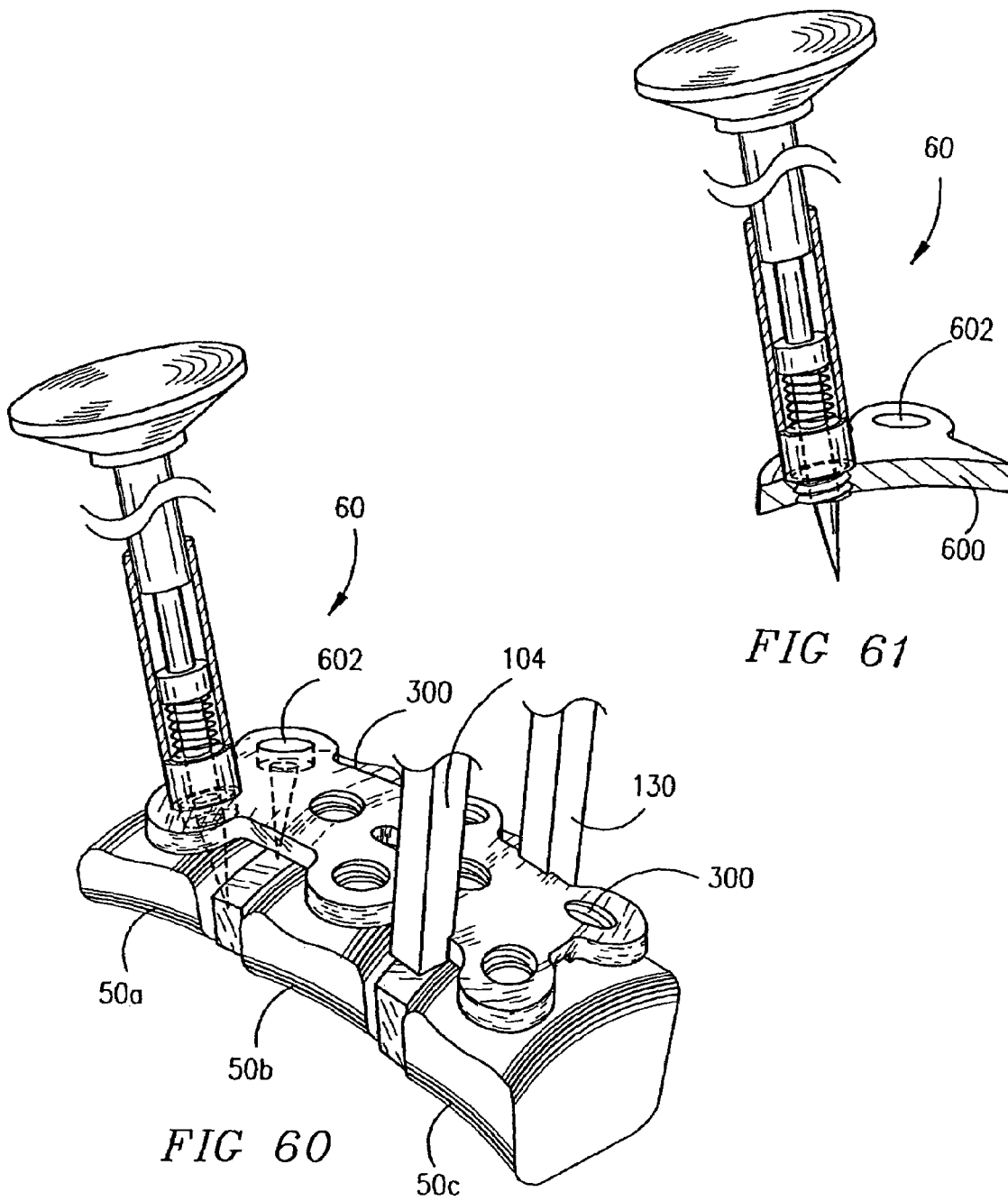
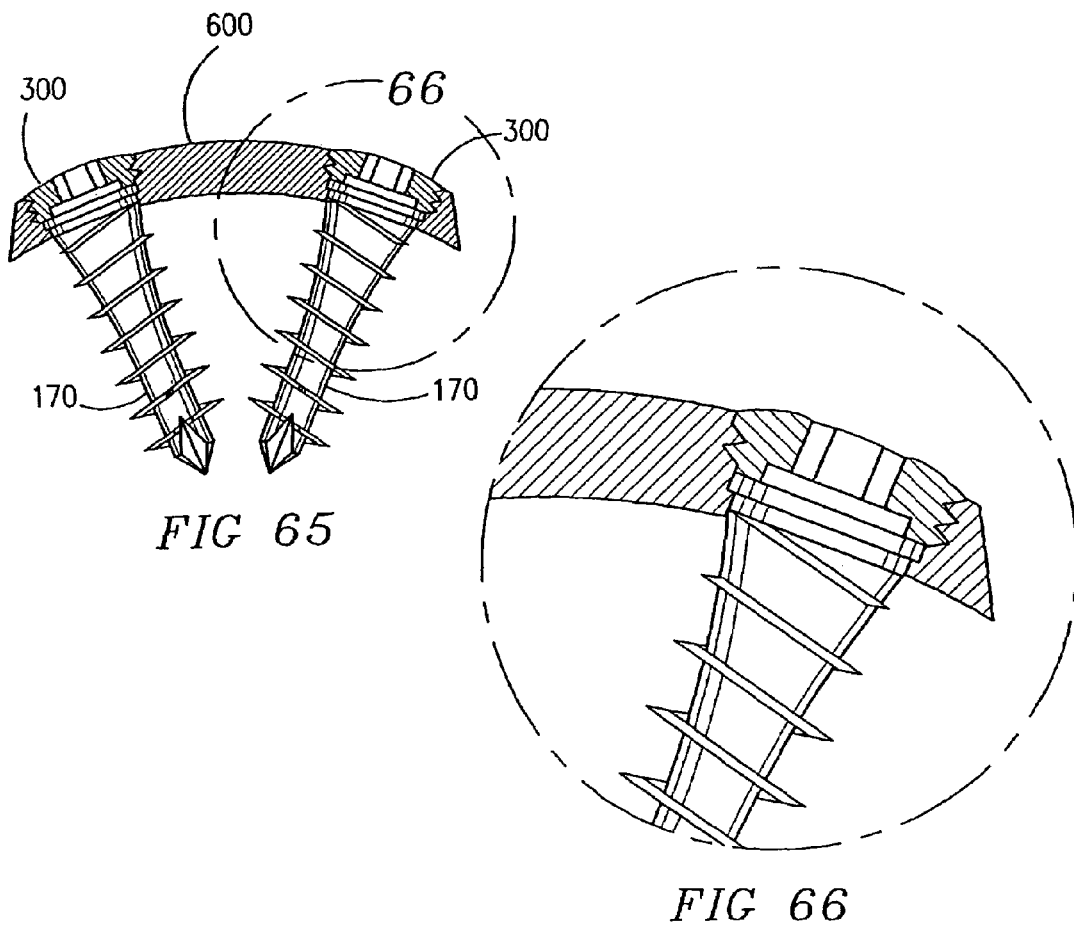
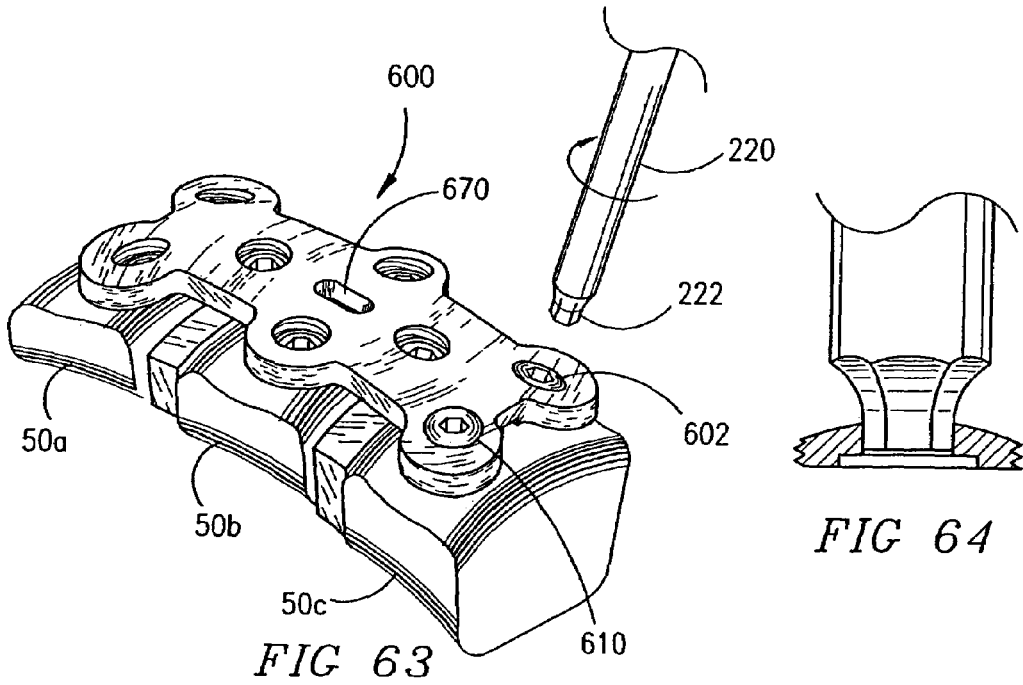


FIG 59





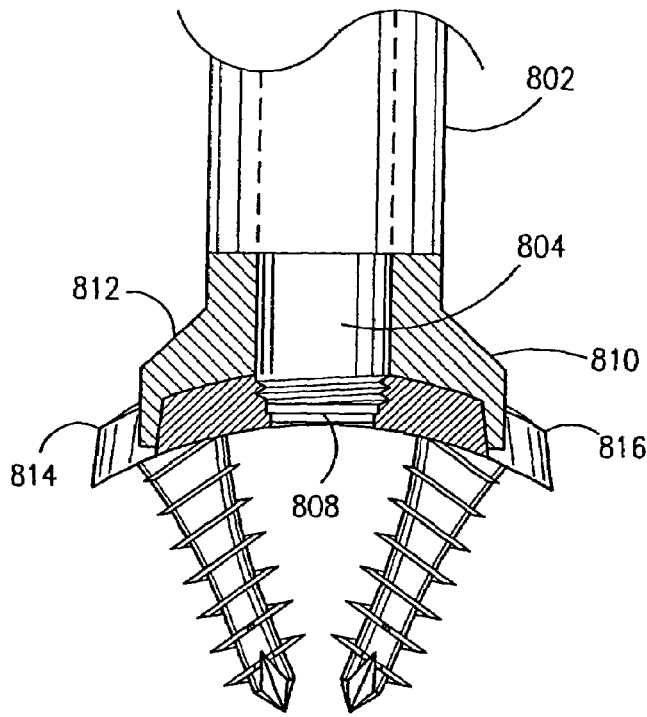


FIG 68

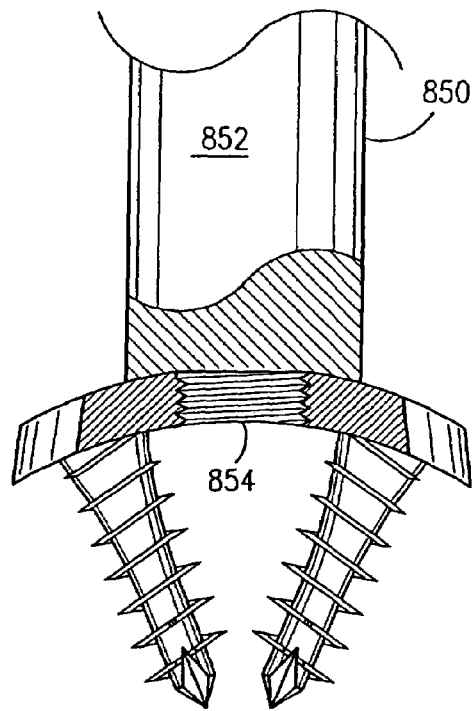


FIG 69A

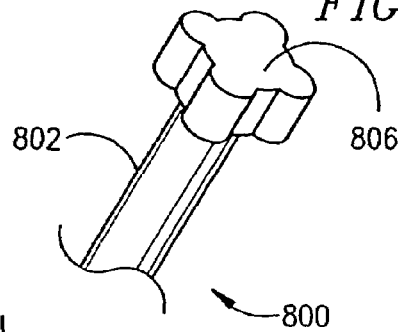


FIG 67

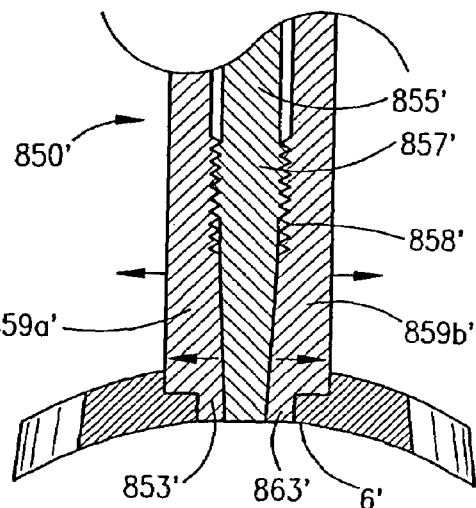
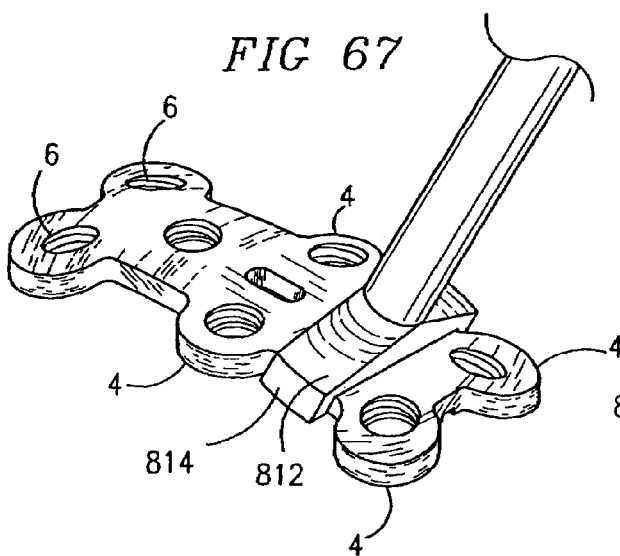


FIG 69B

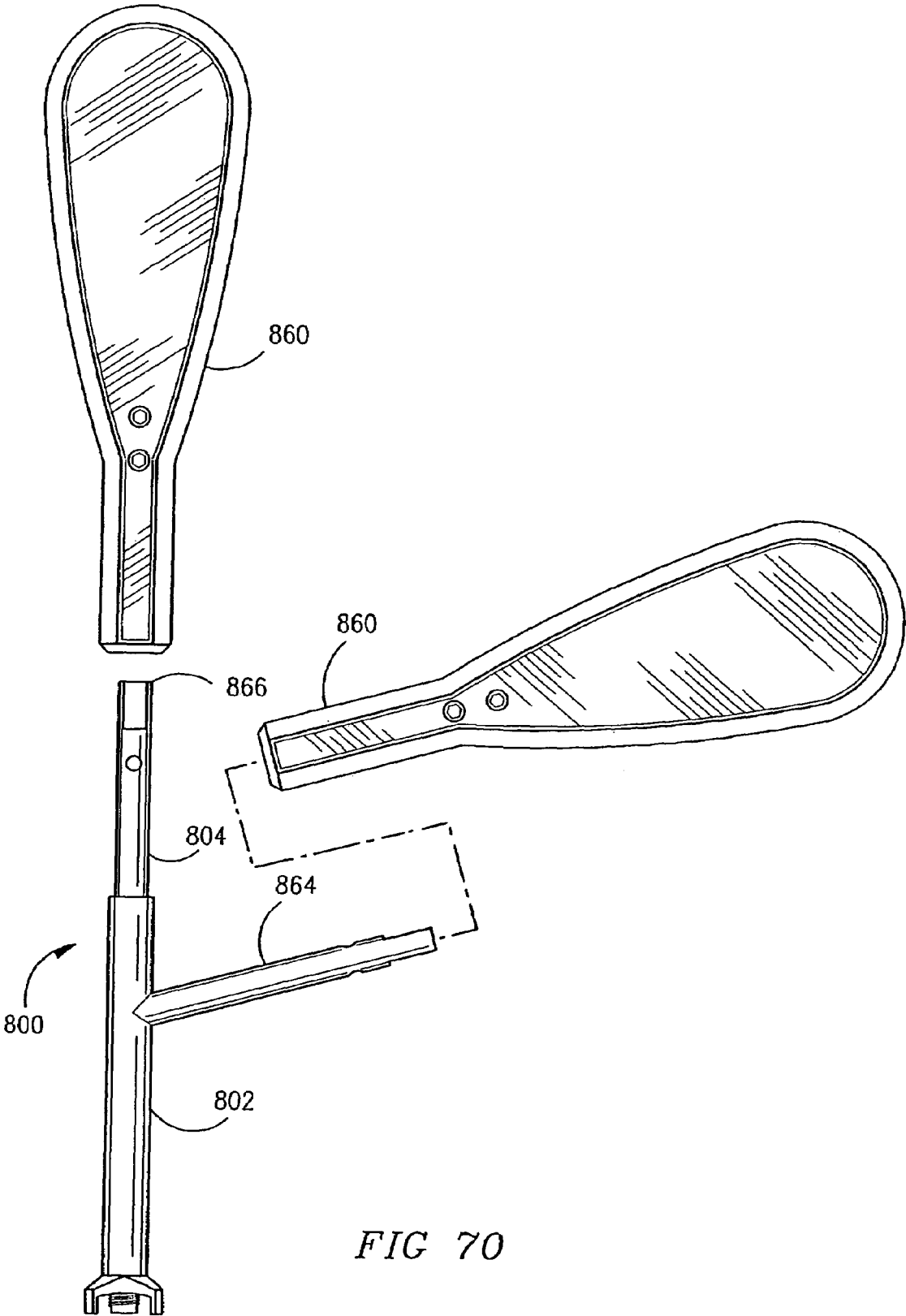


FIG 70

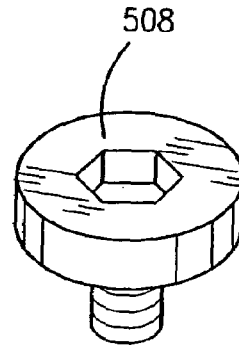
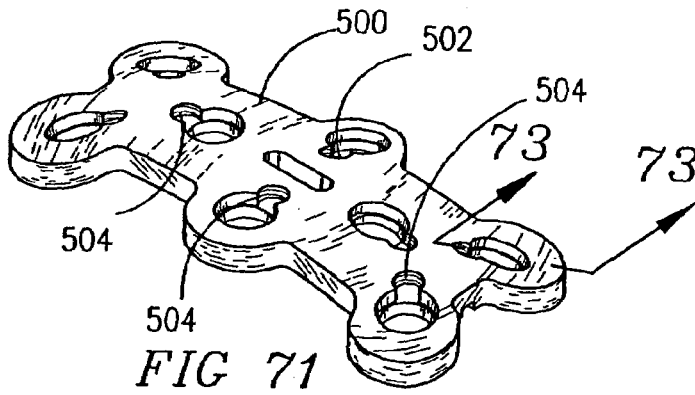


FIG 74

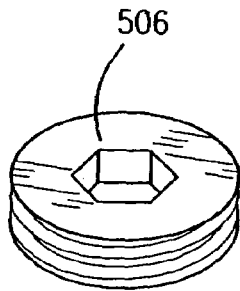


FIG 72

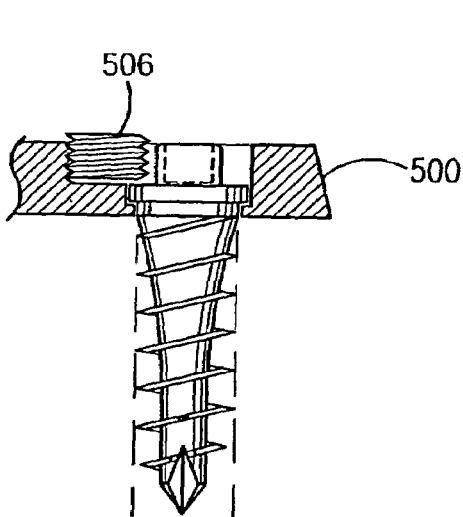


FIG 73

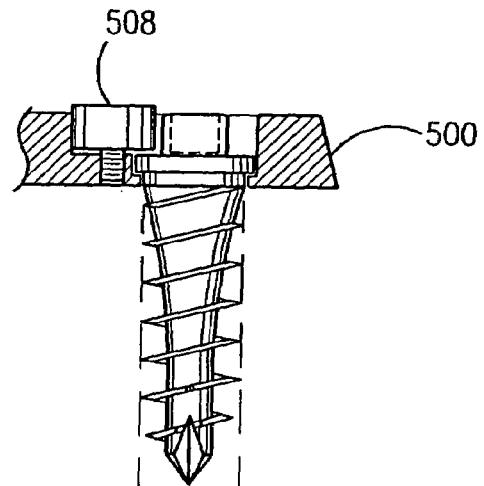


FIG 75

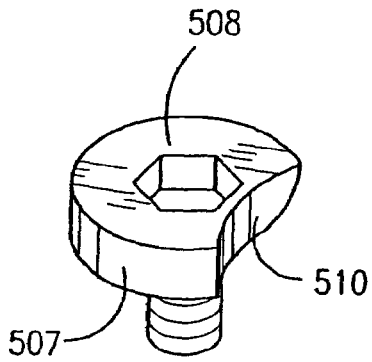


FIG 76

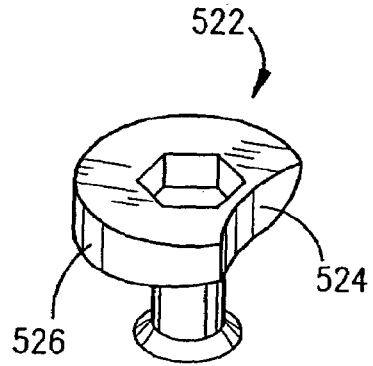


FIG 78

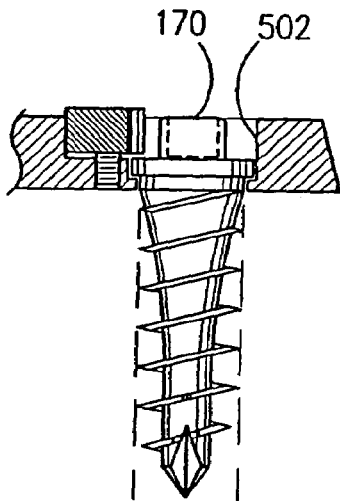


FIG 77

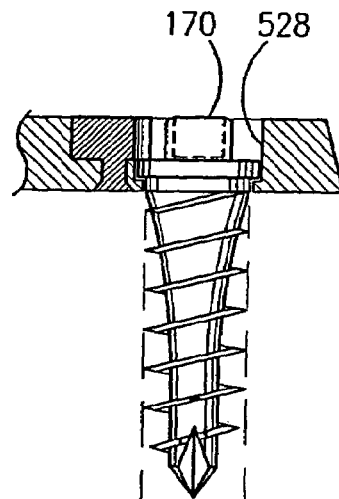


FIG 79

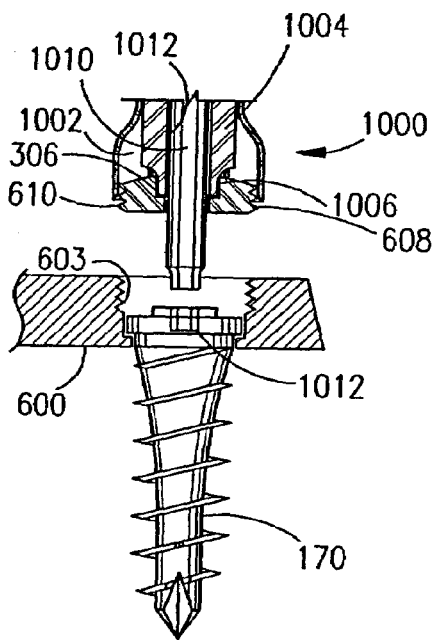


FIG 80

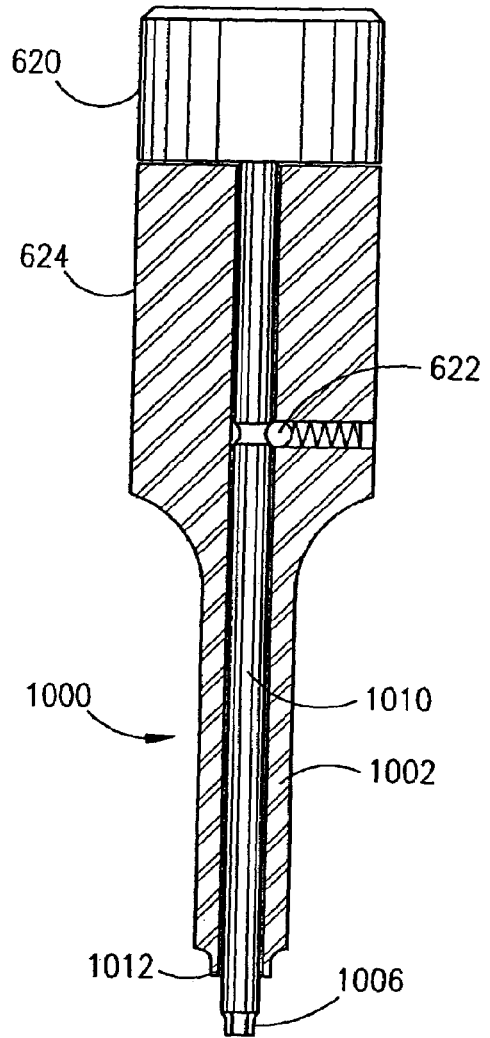


FIG 81

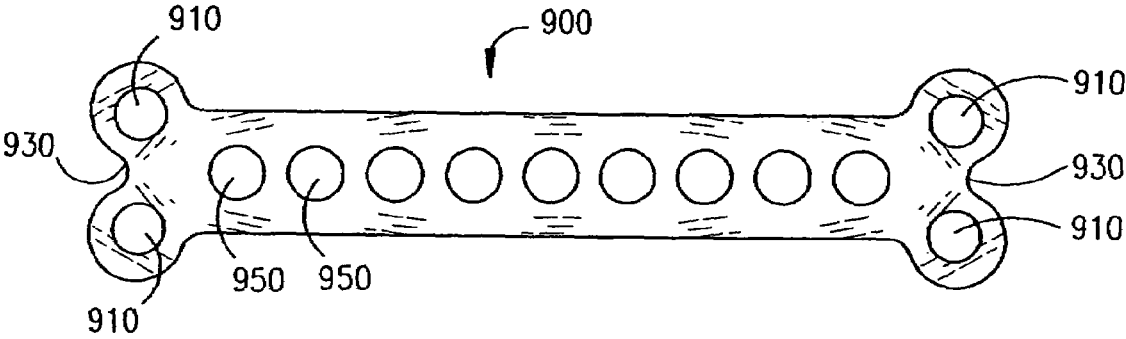


FIG 82

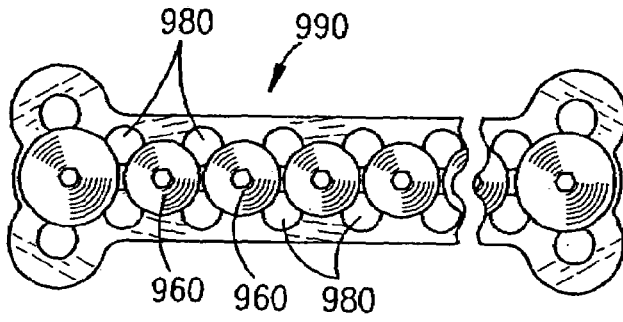


FIG 83

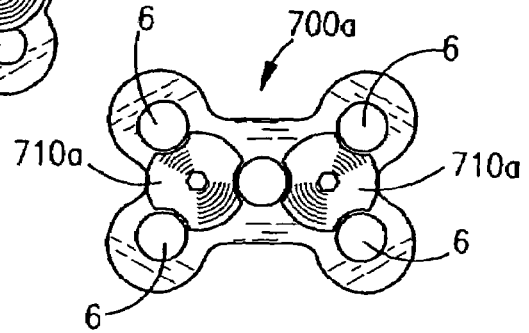


FIG 84A

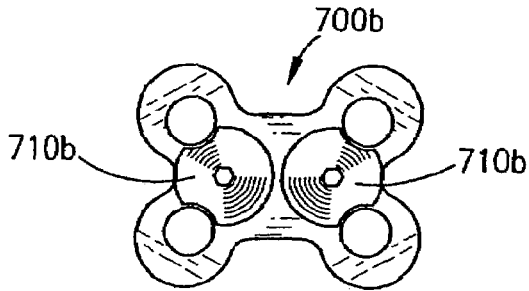


FIG 84B

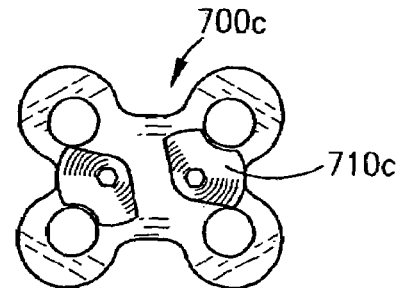


FIG 84C

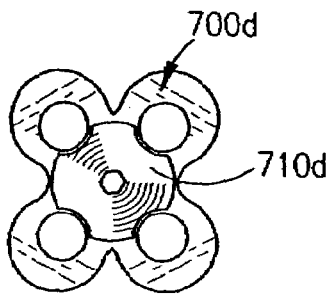


FIG 84D

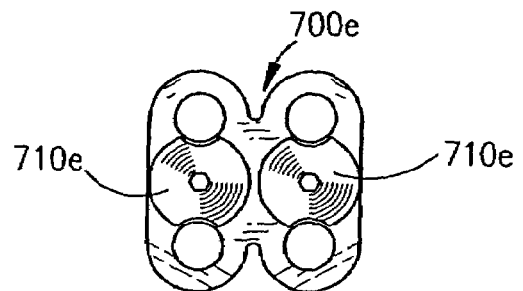


FIG 84E

THREADLESS MULTI-LOCK ANTERIOR CERVICAL PLATING SYSTEM

RELATED APPLICATIONS

This application is a continuation of application Ser. No. 10/253,678, filed Sep. 24, 2002 now U.S. Pat. No. 6,916,320, which is a divisional of Ser. No. 09/754,733, filed Jan. 4, 2001, now U.S. Pat. No. 6,454,771, which is a continuation of application Ser. No. 09/022,293, filed Feb. 11, 1998, now U.S. Pat. No. 6,193,721, which claims the benefit of U.S. provisional application Ser. No. 60/037,139, filed Feb. 11, 1997; all of which are incorporated herein by reference. Application Ser. No. 09/022,344, filed Feb. 11, 1998, now U.S. Pat. No. 6,139,550, is incorporated herein by reference.

BACKGROUND OF THE INVENTION

1. Field of the Invention

The present invention relates generally to implants, method, and instrumentation for fusion of the human cervical spine from the anterior aspect, and in particular to plate systems for aligning and maintaining adjacent cervical vertebrae in a selected spatial relationship during spinal fusion of those vertebrae.

2. Description of the Related Art

It is current practice in the art to use cervical plating systems for this purpose. Such systems are composed essentially of plates and screws for aligning and holding vertebrae in a desired position relative to one another. The earliest such devices consisted of stainless steel plates and screws and required that the screws passed entirely through the vertebrae and into the spinal canal in order to engage the strong bone tissue (the posterior cortex) of the vertebral bodies. This required the ability to observe or visualize this area radiographically, which is not always possible, especially in the lower cervical spine where the vertebrae may be hidden radiographically by the shoulders.

In order to form holes in the vertebral bodies for insertion of each screw, a drilling operation was performed, followed by a tapping operation. Each of these operations involved the passage of an instrument entirely through the associated vertebral body and into the spinal column. Thus, these instruments come into close proximity to the spinal cord and the dural sac which are in close proximity to the back surfaces of the vertebral bodies. Any procedure which introduces an object into the spinal canal presents serious risks which are of concern to the surgeon.

The conventional technique of forming a bone screw receiving hole in vertebral bodies by drilling has a number of significant disadvantages. For example, drilling removes bone material, leaving a void and resulting in a loss of bone material. Drilling also causes microfracturing of the bone at the drill bit-bone interface and the resulting fracture lines tend to propagate in directions perpendicular to the wall of the hole. More specifically, the bone material is essentially a type of ceramic which exhibits a brittle pattern of fracture formation and propagation in response to drilling. Furthermore, drilling generates heat which can result in thermal necrosis of the bone material precisely at the interface between the bone and a subsequently installed screw, where necrosis is most harmful. Any bone which does experience necrosis will subsequently be resorbed by the body as part of the bone repair process and this can lead to the loosening of the screw.

Another problem with drilling is that the path of the drill bit is difficult to control and since the drill bit operates by rotation, it can wind up soft tissue about the associated plate. In

addition, unless great care is taken, the drill bit may be driven significantly past the posterior cortex and cause irreparable harm within the spinal canal. Finally, a drill bit may bind and fracture within the vertebral body and can then cause serious injury as the still rotating portion of the drill bit passes into the wound, while the portion of the bit which has broken off may either protrude dangerously from the vertebral body or may be broken off flush with the upper surface of the body so as to be irretrievably embedded therein. In any event, the steps that must be taken to retrieve the broken-off portion of a drill bit will inevitably prolong and complicate the surgical procedure.

In known plating systems, there have been problems with loosening and failure of the hardware, breakage of the screws and plates, and backing out of screws into the patient's throat area. These occurrences generally require further surgical procedures to replace the broken parts or the plates and screws entirely, and to repair any damage that may have been caused.

Other problems which have been encountered with known systems result from the failure of the screws to achieve a sufficient purchase in the bone and the stripping of the screws.

Also, the use of the known plating systems may result in a loss of lordosis, which is the normal curve of the cervical spine when viewed from the side.

Known plating systems additionally experience problems in connection with those procedures where bone grafts are placed between vertebral bodies to achieve an interbody fusion which heals by a process called "creeping substitution". In this process, bone at the interface between the graft and a vertebra is removed by a biological process which involves the production of powerful acids and enzymes, as a prelude to invasion of the interface by living tissue and the deposition, or growth, of new bone. While the plates allow for proper alignment of the vertebrae and their rigid fixation, they can therefore, at the same time unfortunately, hold the vertebrae apart while the resorption phase of the creeping substitution process forms gaps in the bone at the fusion site with the result that the desired fusion does not occur. Such failure is known as pseudoarthrosis. When such a failure occurs, the hardware itself will usually break or become loosened from the spine, thus requiring a further surgical procedure to remove the broken components and another surgical procedure to again attempt fusion.

In response to the problems described above, a second generation of plating systems has been developed and/or proposed. These include a system disclosed in U.S. Pat. Nos. 5,364,399 to Lowery and U.S. Pat. No. 5,423,826 to Morscher, as well as cervical spine locking plating systems offered by SYNTHES Spine, the DANEK ORION plate, the CODMAN SHURTLEFF plate, and the SMITH NEPHEW RICHARDS plate, among others. The systems' forming members of this second generation have a number of common properties. They are all made of either a titanium alloy or pure titanium rather than stainless steel, to minimize adverse tissue reactions and are MRI compatible, which stainless steel is not. The screws and the plates have been given increased thickness in order to achieve increased strength. The screws have larger diameters to improve their purchase without requiring that they engage the posterior cortex of the vertebral bodies. Some mild longitudinal contouring of the plates is employed to allow for some lordosis, and/or limited transverse contouring to better follow the generally curved aspect of the front of the vertebral bodies. Mechanisms are employed for securing the vertebral bone screws to their associated plates in a manner to prevent the screws from backing out. While this second generation of plating systems

represents a significant improvement over earlier systems, certain existing problems persist, while new problems have been created.

For example, since the screws no longer extend into the posterior cortex, it is common for the threads in the tapped screw hole to become stripped and for the screws to fail to gain a suitable purchase. In addition, screw breakage continues to be experienced and occurs most commonly at the junction of the screw to the posterior aspect of the plate. The screws employed in both the SYNTHES system and the SMITH NEPHEW RICHARDS system are particularly vulnerable to this problem because those screws are hollow at the level where they attach to the plate to permit the internal reception of locking screws.

In an attempt to prevent screw to plate junction breakage of the screw, more recent designs of screws have an increasing root diameter from tip to head, which thus far has resulted in a near useless stubby and blunt thread near the screw head with little holding power and little tactile feedback to the surgeon to signal the completion of tightening prior to stripping of the screw within the bone. Based on empiric studies testing these prior art screws, the use of a pretapped hole, rather than a self-tapping screw, was found to be preferred for pullout strength and thus these screws have not been self-tapping and thus the screw holes must be pre-tapped. Since the thread cutting portion of a tap is necessarily sharp and rotated to work, there is a serious risk of damage to the surrounding soft tissues when it is used. This is compounded by the fact that the plates employed in these systems do not provide sufficient long axis contouring to make full allowance for lordosis and do not have sufficient transverse contouring to prevent rocking of the plate about its longitudinal axis and to conform to the anterior shape of the vertebral bodies, so that these plates do not prevent soft tissue from creeping in from the sides and beneath the screw holes thus exposing these tissues to damage by the drill and the tap. While it is possible, at the time of surgery, to make some change in the contouring of these plates, this is generally limited to contouring of the longitudinal axis and quite often causes distortion of the plate's bone screw holes and screw hole to plate junctions in a manner which has an adverse effect on the screw-plate interlock. Lack of proper contouring prevents these plates from having an optimally low profile relative to the spine.

In some of the second generation cervical plating systems, screw backout continues to occur, because these plates could not be designed to allow for the locking of all of the screws. Specifically, while the designers of these plates recognized the importance of securing the bone screws to the plates, they were unable to lock all of the screws and had to settle for leaving some of the screws unlocked.

Furthermore, several of these second generation systems utilize tiny and delicate "watchmaker" parts to achieve interlocking. These parts are characterized by the need to engage them with particularly delicate small ended screw drivers. These interlocking components are easily rendered ineffective by any effort to alter the contours of a plate during surgery.

Despite the improvement of these second generation plating systems over the first problems, the problems still persist, the most important of which is pseudoarthroses, and particularly "distraction pseudoarthroses". Although these second generation plates have clearly led to an increase in fusion rate, when a failure to produce fusion occurs, it is generally accompanied by bone resorption along a line at the graft-to-vertebra junction, which can be seen on a radiograph.

In the case of the weak first generation plates and screws, the plates might hold the vertebrae apart, preventing fusion, but only until the hardware would break, relieving the distraction, and then allowing the fusion to occur. The second generation systems of plates are too strong to allow this to occur, thus requiring further surgical procedures for the correction of the pseudoarthroses.

Compression plates are well known and are widely used in orthopedic surgery for the stabilization of tubular bones, and sometimes also flat bones. Such plates may rely on some external compression means or may be self-compressing, relying on the ability of the screw head to slide within a ramped slot such that the tightening of the bone screws through the plate imparts a linear motion perpendicular to the screw axes. U.S. Pat. No. 5,180,381 discloses an attempt to employ such a mechanism in connection with anterior spinal fixation.

However, it has been found that all of the proposed self-compressing plating systems have in common the need for a screw to engage both a proximal and a distal cortex, (bone casing of very dense bone material), so as to anchor the screw tip in a manner to allow the plate to move relative to the screw when tightened rather than allowing the plate to drag the screw off axis. However, as already discussed earlier herein, when a screw is to engage the posterior cortex of the vertebral body, it is necessary for the drill and the tap which form the screw hole, as well as the screw tip itself, to all enter the spinal canal, thereby exposing the spinal cord to damage.

While the system disclosed in U.S. Pat. No. 5,180,381 avoids such danger by engaging the vertebral body end plate instead of the posterior vertebral body cortex, the path of the screw is of necessity quite short, so that there is very little opportunity for the screw threads to achieve additional purchase within the vertebral body. It would therefore appear that to the extent that the device disclosed in U.S. Pat. No. 5,180,381 is able to achieve its stated objectives, it would pull the front of the spine together more than the back and would not appear to compress the back of the vertebral bodies at all, thus producing an undesirable iatrogenic loss of the normal cervical lordosis. Such a situation is disruptive to the normal biomechanics of the cervical spine and potentially quite harmful.

The creation of compression between adjacent vertebrae would offer a number of advantages, including reduced distraction pseudoarthrosis, increased surface area of contact between the graft and vertebrae as slightly incongruent surfaces are forced together, increased osteogenic stimulation, since compressive loads stimulate bone formation, and increased fusion graft and spinal segment stability.

Among the new problems created by these second generation systems is a tendency for the small "watchmaker" parts used to lock the bone screws to the plate to fall off of the driver used for attaching those parts, or out of the associated plates and to become lost in the wound. In addition, these small parts are quite fragile and require specialized additional instruments for their insertion and/or manipulation. Furthermore, incorrect bone screw placement relative to the axis of a plate hole may render the screw locking mechanism unworkable or may cause sharp and jagged shavings of titanium to be formed as a locking screw is driven into contact with an improperly seated bone screw. The means for establishing bone screw to plate hole alignment and preparation are less than reliable. Furthermore, most of these second generation systems lack a reliable and effective means for positioning and holding the plate during attachment.

Specific features of various prior art systems will be summarized below.

5

The system disclosed in U.S. Pat. Nos. 5,364,399 and 5,423,826, cited earlier herein, includes a thin stainless steel plate which allows for side-by-side or offset bicortical screw placement, the plate having a combination of screw holes and slots.

The "Acromed" system includes a titanium plate and screws which require bicortical screw placement. This system does not include any locking means for the bone screws.

The system disclosed in U.S. Pat. No. 5,180,381 includes an "H" shaped plate having a combination of ramped slots and a hole which requires bicortical screw placement at a 45° angle to the plane of the plate. This patent discloses that this angular positioning is for the purpose of producing compression.

The SYNTHES Morscher plate system employs hollow, slotted screw heads. The screws are placed unicortically so that the heads, when properly aligned, come to rest in the upper portion of the plate holes. The upper portion of each screw is internally threaded to receive a tiny screw which is screwed into the bone screw head in order to increase the interference fit between the bone screw head and the wall of the associated plate hole.

In the system disclosed in U.S. Pat. Nos. 5,364,399 and 5,423,826, use is made of pairs of unicortical bone screws that may be locked in place at both ends of the associated plate by locking screws which have a small diameter shank and a large head. At each end of a plate two bone screws may be locked in place by a single locking screw which is situated between the bone screws. Generally, the plate is provided, between its two ends, with a diagonal slot or slots for receiving one or more additional screws, each additional screw being securable in a bone graft or a respective vertebra which is spanned by the plate. There is no locking screw associated with these intermediate bone screws to lock the bone screws to the plate.

The Codman Shurtleff plating system utilizes the side of a preinstalled rivet having a head rotatable to press against the side of the head of a bone screw so as to secure that one screw to the plate. The plates of this system also are provided with holes for receiving intermediate screws, but these screws are not associated with any locking means.

While the designers of the last-mentioned systems recognized the importance of locking the bone screws in position on their associated plates, they did not provide for any locking of the intermediate bone screws in their associated holes.

In an earlier version of the Codman Shurtleff system, the locking mechanism was a lever pivotable about a shaft passing entirely through the plate and then flared so as to retain the shaft within the plate. The lever was rotated after the bone screw had been inserted to engage the head of the bone screw and thus secure the bone screw to the plate.

Based on a consideration of the features of all of the known cervical plating systems, it appears that there remains a need for an improved system having the following combination of features:

- 1) The plate should be sufficiently strong to perform its intended function without mechanical failure;
- 2) The plate should be preformed in three dimensions so as to anatomically conform in both the longitudinal and transverse planes to the anterior cervical spine;
- 3) The plate should be constructed so that all of the bone screws are generally perpendicular to the plate when viewed from the side, but pairs of screws are highly convergent corresponding to any vertebral level when viewed from the bottom, or on end;
- 4) Each pair of screws engages in a respective vertebra and the high convergence of screws in a pair allows the length of the screws which engage the bone to be longer

6

and still remain within that vertebra and provide a safer and stronger engagement with the vertebrae;

- 5) The system should include bone screws which are capable of achieving enhanced purchase within the bone of the vertebral body and without the need to penetrate the posterior vertebral cortex and enter the spinal canal;
- 6) Use should be made of a screw which is self-tapping, thereby eliminating the need for separate tapping steps;
- 7) A reliable means should be provided for engaging and manipulating the plate during installation;
- 8) The plate should be engageable with an instrument means which can reliably produce bone screw holes which are coaxial with the screw holes in the plate;
- 9) It should be possible to prepare the vertebral bone to receive the bone screws so as to produce a stronger connection and a reduced danger of thread stripping by means of a pilot hole punch creating a pilot hole for the bone screws;
- 10) Alternatively to the use of a pilot hole punch, a relatively (compared to the overall root diameter of the screw) small diameter drill may be used to create the pilot hole.
- 11) Means should be provided for locking each and every bone screw in position relative to the plate, and the locking means should be of sufficient size and strength to reliably perform its intended functions;
- 12) Bone screw locking means should preferably be retainable by the plate prior to bone screw insertion, or should be reliably attachable to a driver to prevent any small parts from becoming loose in the wound; and
- 13) The system should be capable of effecting compression of the vertebral segments to be fused while maintaining and/or restoring lordosis.

OBJECTS OF THE INVENTION

It is an object of the present invention to provide an improved anterior cervical plating system, installation instrumentation, and installation method which has the above described features and which avoids many of the shortcomings of previously known systems.

One object of the present invention is to provide a locking mechanism where a plurality of bone screws used for attaching the plate to the vertebrae can be easily and reliably locked in place at the same time by a single operation.

Another object of the present invention is to provide a vertebral plate in which the locking mechanisms for locking the bone screws may be pre-installed by the manufacturer prior to the insertion of the bone screws by the physician so that the physician does not have to attach the locking mechanism to the plate as a separate procedure during the operation.

Another object of the invention is to provide an anterior cervical plating system which allows for the intersegmental compression of the spinal segment (compression of the adjacent vertebrae and the fusion graft in the disc space between the adjacent vertebrae) in lordosis, and similarly, where desired, multisegmental compression.

A further object of the invention is to provide bone screws which provide for tactile feedback to the surgeon to assure sufficient tightening of the screws while avoiding stripping and are less prone to failure by breakage or by loosening.

Another object of the invention is to provide bone screws which achieve optimal purchase within the bone, without the need to penetrate the posterior cortex of the vertebrae.

A further object of the invention is to provide plates which are textured or otherwise treated to promote bone growth from vertebrae to vertebra beneath the plate.

Another object of the invention is to provide a plate which is constructed to reliably engage an instrument for forming all bone screw holes coaxial with the holes formed in the plate, the instrument having integral depth limiting means which completely eliminates the danger of perforation of the posterior vertebral wall or entry into the spinal canal.

Yet another object of the invention is to provide a system in which the bone screws and locking mechanisms, when fully installed, have a low profile.

It is another object of the present invention to provide for an anterior cervical plating system which is at least in part bioresorbable.

It is another object of the present invention to provide for an anterior cervical plating system comprising at least in part of bone ingrowth materials and surfaces.

It is another object of the present invention to provide for an anterior cervical plating system comprising at least in part of bone growth promoting substances.

It is another object of the present invention to provide instruments for reliably and easily performing the installation of the plates of the present invention.

It is still another object of the present invention to provide an improved method of installing the plates of the present invention.

The above and other objects and features of the invention will become more readily apparent from the following description of preferred embodiments of the invention, provided with reference to the accompanying drawings, which illustrate embodiments of the invention solely by way of non-limiting example.

SUMMARY OF THE INVENTION

The plating system of the first preferred embodiment of the present invention comprises a plate having a length sufficient to span a disc space and to overlap, at least in part, at least two adjacent cervical vertebrae, a substantial portion of the lower surface of the plate preferably being biconcave, that is concave curved along a substantial portion of the longitudinal axis of the plate and concave curved along a substantial portion of the transverse axis of the plate. The lower surface of the plate may also be textured and/or treated to induce bone growth along the lower surface of the plate which contacts the cervical vertebrae. The plate is provided with a plurality of bone screw receiving holes which extend through the plate, from the upper surface to the lower surface of the plate, and at least one locking element is associated with the bone screw receiving hole. The plate and its component parts, may be made of any implant quality material suitable for use in the human body, and the plate and associated component may be made of a bioresorbable material.

Bone screws are each insertable into a respective bone screw receiving hole for attaching the plate to a vertebra. A locking element, is engageable to a locking element receiving recess and has a head formed to lock the bone screws to the plate. In the preferred embodiment, a single locking element locks a number of different bone screws in place. The locking elements are pre-installed prior to use by the surgeon in a manner so as to not impede installation of the bone screws.

As a result, the problems previously associated with the locking screws of the type applied after the insertion of the bone screws, including the problems of instrumentation to position and deliver to the plate the locking means, backing out, breakage, stripping and misthreading associated with the prior art more delicate locking screws resembling "watch-maker's parts", are eliminated.

In an alternative embodiment of the present invention, a locking element fits within a respective bone screw receiving hole to lock a respective one of the bone screws in place. According to this second embodiment of the invention, each of the bone screws is locked to the plate by means of an individual locking element which bears against at least a portion of the bone screw. Since no other holes need be formed in the plate to attach the locks to the plate, the plate remains quite strong.

The locking elements can be in many forms to achieve their intended purpose, such as, but not limited to, screws, threaded caps, rivets, set screws, projecting elements, and the like.

Also, a novel bone screw is disclosed so as to prevent pulling out of the bone screw during use. This is achieved by a design which includes a screw in which the outer diameter or crest diameter of the thread is maintained substantially constant along the entire length of the shaft of the bone screw, from below the head to above the tip, where threads of a lesser outer diameter facilitate insertion. The screw tip is fluted at its distal end to be self-tapping. The thread also has an extremely thin and sharp profile to cut into and preserve the integrity of the vertebral bone stock.

The plating system does not require that the head of the bone screw be hollow, or that additional holes be placed through the plate in addition to those provided for the passage of the bone screws. It will be appreciated that bone screws are weakened when their heads are hollow and that plates are weakened when they are provided with additional holes.

Additionally, the plate of the disclosed systems permit the proper aligning of the holes in the plate for the bone screws and for the plate to be easily applied to the vertebrae in compression. The plates include appropriate slots and engagement means for engaging compression instrumentation, described in detail below, for applying a compression force between adjacent vertebrae to which the plate is attached, in a reliable and easy manner.

An improved locking screw driver is provided. The driver provides for a wedged interference fit with a recess in the head of the bone screws and the head of the locking elements. The same driver is usable for both bone screws and locking elements. The driver ensures that the locking element cannot fall off the driver and become lost in the wound. The driver has a tapered end to facilitate insertion into the complimentary recess in the head of the screws and is used to engage and pick up the locking elements. Alternatively, the receiving socket can be tapered to the same purpose.

Alternatively, a combination bone screw and locking screw driver is disclosed in which the bone screw driver passes through a longitudinal opening in the locking screw driver so that both the bone screw and the locking screw can be loaded prior to insertion of the bone screw and both can be tightened with one instrument, without removing it from position.

Also, instruments are provided for forming pilot holes to assist in the ease and accuracy of the installment of the bone screws, and for creating a creating a compression force between adjacent vertebrae during installation of the plate and for holding the plate during installation.

BRIEF DESCRIPTION OF THE DRAWINGS

FIG. 1 is a top perspective view of a first embodiment of a cervical spine multiple locking plate.

FIG. 2 is a top plan view of the cervical spine multiple locking plate shown in FIG. 1.

FIG. 3 is a side elevational view of the cervical spine multiple locking plate shown in FIG. 1.

FIG. 4 is an end view of the cervical spine multiple locking plate shown in FIG. 1.

FIG. 5 is a bottom plan view of the cervical spine multiple locking plate shown in FIG. 1.

FIG. 6 is a top plan view of the cervical spine multiple locking plate shown in FIGS. 1-5, with locking elements installed in an open configuration.

FIG. 7 is a top plan view of a modification of the plate of FIGS. 1-6 with a four bone screw locking element in place.

FIG. 8 is a top plan view of a further embodiment of a cervical locking plate of FIG. 1 with an elongated central slot for increased compression capability.

FIG. 9 is a top plan view of a locking element for use with the plates of FIGS. 1-6.

FIG. 10 is a top plan view of a locking element for use with the central opening of the plate of FIGS. 7 and 22.

FIG. 11 is a top plan view of a locking cap for use in the end openings shown in FIGS. 1, 6, and 7.

FIG. 12 is a side elevational view of the locking element of FIG. 16.

FIG. 13 is a side elevational view of another embodiment of the locking element of FIG. 16.

FIG. 14 is a top perspective view of an alternative embodiment of cervical spine multiple locking plate for use with locking rivets.

FIG. 15 is a bottom plan view of the cervical spine multiple locking plate of FIG. 14.

FIG. 16 is a top plan view of a two bone screw locking element.

FIG. 17 is a top plan view of an alternative embodiment of a four bone screw locking element having head slits for increased flexibility of the locking tabs.

FIG. 18 is a bottom plan view of a rivet type locking element for use with the central opening of the plate of FIG. 14.

FIG. 19 is a side elevational view of a rivet locking element.

FIG. 20 is a top perspective view of the bottom portion of the head of rivet of FIG. 19 viewed along lines 20-20.

FIG. 21 is a top perspective view of the head portion of a three bone screw locking element.

FIG. 22 is a top perspective view of a third embodiment of a cervical spine multiple locking plate utilizing locking elements in the form of threaded caps.

FIG. 23 is a side elevational view of a locking element for use with the plate of FIG. 22.

FIG. 24A is a side elevational view of a bone screw in accordance with the present invention.

FIG. 24B is an enlarged side elevational view of the bone screw of FIG. 24A.

FIG. 25 is a side elevational view of an alternative embodiment of a bone screw in accordance with the present invention.

FIG. 26 is a bottom end view of the bone screw shown in FIG. 24A.

FIG. 27 is a top end view of the bone screw shown in FIG. 24A.

FIG. 28 is a top perspective view of a fourth embodiment of a cervical spine multiple locking plate.

FIG. 29 is a top perspective view of a locking element for use with the plate of FIG. 28.

FIG. 30 is a partial side sectional view of the plate of FIG. 28 along lines 30-30 with a bone screw in place.

FIG. 31 is a top perspective view of the plate of FIG. 1 positioned against the anterior aspect of three successive vertebral bodies in the cervical spine, a plate holder, and an instrument for forming bone screw receiving holes in to the vertebral bodies.

FIG. 32 is a cross-sectional view of a portion of the bone forming device shown in FIG. 31 viewed along lines 32-32.

FIG. 33 is a side elevational view in partial cross section illustrating a compression post tool and a compression post engaged to it for insertion into a vertebral body.

FIG. 34 is a side elevational view in partial cross section of the compression post tool engaged for removal of the compression post from the vertebral body.

FIG. 35 is a bottom end view of the compression post tool of FIG. 34.

FIG. 36 is a side elevational view of a plate engaging hook for use with the compression apparatus shown in FIG. 38.

FIG. 37 is a cross-sectional view through the plate of an alternative embodiment of a hole forming instrument in the form of a drill guide and drill for use during the plate installation procedure.

FIG. 38 is a side elevational view showing intersegmental compression of the spine and compression apparatus.

FIG. 39 is a view similar to that of FIG. 38 showing the compression apparatus in a further stage of the plate installation procedure.

FIG. 40 is a top perspective view showing the locking of the bone screws to the plate.

FIG. 41 is a partial side sectional view of a locking element attached to a driver instrument.

FIG. 42 is a partial side sectional view of another embodiment of the locking element attached to a driver instrument.

FIG. 43 is a partial cross-sectional view showing a cervical plate, locking element, and bone screws along lines 43-43 of FIG. 40.

FIG. 44 is an enlarged portion of detail along line 44 of FIG. 43.

FIG. 45 is a side view in partial cross section of a plate holder attached to a plate.

FIG. 46 is a side view in partial cross section of another embodiment of a plate holder attached to a plate.

FIG. 47 is a top perspective view of a first embodiment of a single locking plate.

FIG. 48 is a top plan view of the plate shown in FIG. 47.

FIG. 49 is a side elevational view of the plate shown in FIG. 47.

FIG. 50 is an end view of the plate shown in FIG. 47.

FIG. 51 is a bottom plan view of the plate shown in FIG. 47.

FIG. 52 is a top plan view of the plate shown in FIG. 47, with locking elements in place.

FIG. 53 is a side elevational view of a bone screw used with the plate shown in FIG. 47.

FIG. 54 is a top end view of the bone screw shown in FIG. 53.

FIG. 55 is a bottom end view of the bone screw of FIG. 53.

FIG. 56 is a top plan view of a locking cap for use with the single locking plate of FIG. 47.

FIG. 57 is a side elevational view of the locking cap shown in FIG. 56.

FIG. 58 is a bottom plan view of the locking cap shown in FIGS. 56 and 57.

FIG. 59 is a bottom perspective view of the locking cap of FIGS. 56-58.

FIG. 60 is a top perspective view of the single locking plate of FIG. 47 shown being held by a plate holder against three vertebral bodies, with the hole forming instrument for punching a pilot hole into the vertebral bodies for receiving a bone screw.

FIG. 61 is a side elevational view in partial cutaway of the hole forming instrument threaded to a bone screw receiving hole.

11

FIG. 62 is a perspective side sectional view of the drill and drill guide threadably engaged to the plate for drilling a hole for insertion of a bone screw.

FIG. 63 is a top perspective view of a single locking plate installed along a segment of the spine with two locking caps installed in two bone screw receiving holes.

FIG. 64 is a side elevational view in partial cross section of a locking cap engaged to a driver for installing the locking cap.

FIG. 65 is a partial cross sectional view of the plate, bone screws and locking caps along line 65-65 of FIG. 63.

FIG. 66 is an enlarged fragmentary view of area 66 of FIG. 65.

FIG. 67 is a perspective view of a cervical locking plate being held by an alternative plate holder instrument.

FIG. 68 is an end sectional view showing the plate holder of FIG. 67 engaging a plate.

FIG. 69A is an end sectional view of an alternative embodiment of the plate holder.

FIG. 69B is an end sectional view of another alternative embodiment of the plate holder.

FIG. 70 is a plate holder instrument with an offset and removable handle.

FIG. 71 is a top perspective view of a second embodiment of a cervical single locking plate having individual locking elements to lock each bone screw.

FIG. 72 is a top perspective view of a threaded locking element for use with the cervical single locking plate of FIG. 71.

FIG. 73 is a partial side sectional view of the plate of FIG. 71 viewed along lines 73-73 with the locking element of FIG. 72 in place to hold a bone screw, but not fully tightened.

FIG. 74 is a top perspective view of an alternative locking element for use with a first modification of the cervical single locking plate of FIG. 71.

FIG. 75 is a side sectional view of the first modification of the plate of FIG. 71 with the locking element of FIG. 74.

FIG. 76 is a perspective view of an alternative locking element for use with the first modification of the plate of FIG. 71.

FIG. 77 is a partial side sectional view of the first modification of the plate of FIG. 71 with the locking element of FIG. 76 in place.

FIG. 78 is a top perspective view of another alternative locking element in the form of a rivet for use with a second modification of the locking plate of FIG. 71.

FIG. 79 is a partial side sectional detail view of the plate of FIG. 71 modified to use a locking element of FIG. 78 shown in place.

FIG. 80 is a partial cross sectional view of a plate and bone screw with the end of a tool shown for use in inserting both the bone screws and locking caps.

FIG. 81 is a side elevational view of another embodiment of the tool of FIG. 80.

FIG. 82 is a further embodiment of a cervical spine single locking plate for use in stabilizing multiple segments of the spine.

FIG. 83 is a further embodiment of a cervical spine multiple locking plate for use in stabilizing multiple segments of the spine.

FIG. 84A-84E are various embodiments of cervical spine multiple locking plates for use in stabilizing a single segment of the spine.

12

DETAILED DESCRIPTION OF THE DRAWINGS

The present invention will be described first in association with the preferred embodiment of the plate system in which a plurality of bone screws are locked in place with one locking element. This is referred to as the multiple locking plate system. The multiple locking plates will be described, then the locking elements for locking the bone screws to the plate, then the bone screws associated with the multiple locking plates, and finally the instrumentation and method of installation of the multiple locking plates. Thereafter the plate systems in which a single locking element locks a single bone screw will be described. This is referred to as the single locking plate system. The locking elements, bone screws, instrumentation, and method of installation associated with the single locking plate will then be discussed.

1. Multiple Locking Plate System

The preferred embodiment of the multiple locking anterior cervical locking plate 2 according to the present invention (here shown by way of example for use in a two level fusion (three adjacent vertebrae)) is shown in FIGS. 1-5. Plate 2 has a generally elongated form whose outline generally departs from rectangular due to the presence of lobes or lateral projections 4 at the corners and at the center of the sides of plate 2. Each lobe 4 has a rounded outline and contains a respective circular bone screw receiving hole 6. Two additional intermediate circular bone screw receiving holes 8 are located inwardly of the sides of plate 2 and are centered on the longitudinal center line of plate 2. Lobes 4 give plate 2 additional strength in the region surrounding each bone screw receiving hole 6. It is recognized that other shapes for the plate 2 may be employed.

The intermediate paired bone screw receiving holes 8 are for use with a two level (three vertebrae) fusion. The intermediate bone screw receiving holes 8 may be eliminated for a single level (two vertebrae) fusion, or additional intermediate bone screw receiving holes 8 may be added if additional levels are to be fused.

Plate 2 is further provided with three locking element holes 12, each of which in the preferred embodiment is internally threaded 3, and each of which is surrounded by a shallow countersunk region 14. As will be described in greater detail below, in the preferred embodiment, bone screws are inserted in the bone screw receiving holes and a single pre-installed locking element associated with each of the locking element holes 12 locks a number of bone screws 30 in position at one time.

The number of paired bone screw holes generally correspond to the number of vertebrae to be fused. A plate for a one level fusion could have but a single locking element hole 12, while plates for fusing more than two levels (three vertebrae) could have additional middle locking element holes 12 corresponding to additional paired bone screw holes. In the embodiment illustrated in FIGS. 1-6, each end locking element 20 will lock three bone screws 30 in place, while the locking screw 21 in the central locking hole 12 locks two bone screws 30 in place. As shown in FIG. 7, central locking element 25 can also be configured so that four bone screws 30 are locked at one time.

As shown particularly in FIGS. 3, 4 and 5, plate 2 is shaped so that its bottom surface 27 (the surface which will be in contact with the vertebral bodies) has a bi-concave curvature, being concave both in the longitudinal plane (corresponding to its length) and in the plane transverse thereto, corresponding to its width. The concave curvature in the longitudinal plane conforms to the proper shape of the anterior aspect of

13

the spine with the vertebrae aligned in appropriate lordosis. That longitudinal curve is an arc along the circumference of a circle (referred to herein as the "radius of curvature") 15.0 cm to 30.0 cm in radius and more preferably 20.0-25.0 cm in radius. Viewed on end in FIG. 4, the plate 2 has a radius of curvature of a circle 15-25 mm in radius, but preferably 19-21 mm in radius. While the plate 2 may have a thickness between 2 to 3 mm, a thickness of between 2.25 and 2.5 mm is preferred.

Having the bottom surface 27 of plate 2 contoured so that it is able to lie flush against the associated vertebral bodies is in contrast to conventional plates which have larger radii of curvature that contact the vertebral bodies only along the longitudinal centerline of the plate, thereby permitting side-to-side rocking of the plate relative to the vertebral bodies. The contour of the plate of the present invention provides effective resistance to rocking of the plate 2 relative to the vertebral bodies about the longitudinal center line of the plate, thereby reducing stress on the plate 2 and bone screws 30, and preventing the soft tissues from becoming engaged beneath the plate.

Other advantages produced by the above curvature are that the plate 2 will conform more closely to the facing bone surface; the plate 2 will project from the spine by a smaller distance; soft tissue will be prevented from sliding underneath the edges of the plate 2, where it could be subject to damage; and the angle of the bone screws 30, perpendicular to the plate when viewed from the side, when installed will be at a substantial converging angle, trapping the vertebral bone between the bone screws 30, and thus more strongly anchoring the plate to the spine.

As shown in FIG. 5, the bottom surface 27 of plate 2, preferably has a porous, roughened, and/or textured surface layer and may be coated with, impregnated with, or comprise of fusion promoting substances (such as bone morphogenetic proteins) so as to encourage the growth of bone along the underside of the plate 2 from vertebrae to vertebrae. The textured bottom surface 27 also provides a medium for retaining fusion promoting substances with which the bottom surface 27 layer can be impregnated prior to installation. The bottom surface 27 of plate 2 may be given the desired porous textured form by rough blasting or any other conventional technology, such as etching, plasma spraying, sintering, and casting for example. If porous, the bottom surface 27 is formed to have a porosity or pore size in the order of 50-500 microns, and preferably 100-300 microns. Fusion promoting substances with which the porous, textured bottom surface 27 can be impregnated include, but are not limited to, bone morphogenetic proteins, hydroxyapatite, or hydroxyapatite tricalcium phosphate. The plate 2 may comprise of at least in part a resorbable material which can further be impregnated with the bone growth material so that as the plate 2 is resorbed by the body of the patient, the bone growth material is released, thus acting as a time release mechanism. Having the plate 2 being made from a material that is resorbable and having bone growth promoting material present permits the vertebrae to be fused in a more natural manner as the plate becomes progressively less load bearing thereby avoiding late stress shielding of the spine.

As further shown in FIGS. 4 and 5, at least one end of plate 2 has a recess 18 that can cooperate with a compression apparatus, described in detail later in reference to FIGS. 36 and 38.

FIG. 6 is a top plan view of the plate 2 of FIG. 1 with locking elements 20, 21 inserted into the locking element receiving holes. In the preferred embodiment, the locking elements 20, 21 are in the form of screws that cooperate with

14

the threaded interior 3 of the locking holes 12. Each of these locking elements 20, 21 is shown in its initial open orientation, where the orientation of the cutouts 22 in the head 23 of each locking element 20, 21 is oriented so as to permit introduction of bone screws 30 into adjacent bone screw receiving holes 6,8 without interference by the head 23 of the locking element 20, 21. It is appreciated that other configurations of the head 23 are possible so as to permit introduction of bone screw into adjacent bone screw receiving holes without interference by the head 23.

FIG. 8 is a top view of another embodiment of plate 2 of FIGS. 1-5, and is generally referred to as plate 120. Plate 120 is provided with a longitudinally extending elongated slot 122 along its longitudinal axis which is superimposed on the middle locking hole 12. Elongated slot 122 allows additional relative movement between plate 120 and a compression post 54 associated with a compression tool during the compression procedure, as discussed below.

Referring to FIGS. 14 and 15, an alternative embodiment of a multiple locking plate referred to by the number 70 is shown. In plate 70, rather than the threaded locking hole 12, a central opening 200 for receiving a removable rivet 202, of the type shown in FIGS. 17-20, is provided. FIG. 15 is a bottom plan view of the plate 70 shown in FIG. 14. The contour of the plate 70 is the same as that of the plate 2 shown in FIGS. 1-5. The rivet 202 is removable and fits within the unthreaded opening 200, comparable to the locking hole 12 and slot 122 described above. Other embodiments may employ a rivet that is not removable, but is manufactured as part of the plate 70 as would be used in the end locking holes 19 of FIGS. 14 and 15.

Referring to FIG. 22, another alternative embodiment of a multiple locking plate is shown and is generally referred to by the number 230. The plate 230 uses threaded caps, such as cap 300 shown in FIGS. 9 and 23, for a locking element or preferably one with cut outs as described having an appearance in a top view such as the locking element in FIGS. 10-11, for example. The central locking hole 232 has an elongated slot 234 for providing an increased compression capability, as will be discussed further herein.

Referring to FIGS. 10-13, a first embodiment of a locking element 20, 21, 25 in the form of locking screws according to the present invention for use with plate 2 is shown. FIG. 10 is a top plan view which illustrates the head 23 of the central locking element 25 shown in FIG. 7. The shaft 46 of locking element 25 is threaded 47 to mate with the threading 3 within the associated locking hole 12 of plate 2. As shown in FIG. 21, each segment 49 on each side of cutouts 22 of the locking element 21 has a bearing surface 48 formed at the lower surface of locking element head 23. As shown in FIG. 16, the locking element head 23 can be provided with two slots 42 for providing flexibility to the locking element head 23 to assist in the locking element's ability to ride over the top of the bone screw head 32 during the bearing action when the locking element is rotated. Alternatively, it is appreciated that the bearing surface can be cammed, ramped or wedged. The cammed, ramped or wedged features can also be used with the other locking elements described herein.

Referring to FIGS. 6 and 10-13, it will be appreciated that when the locking elements 20, 21 are rotated in the clockwise direction with respect to the view of FIG. 6, a respective bearing surface 48 (as best seen in FIG. 21) will ride upon the curved top surface 39 of a respective bone screw head 32 in order to positively lock the associated bone screws 30 and the locking elements 20, 21 in place.

Alternatively, as shown in FIGS. 12 and 13 in place of a bearing surface 48, a ramp or wedge shaped surface 44 may

15

be used to increase the force applied to the bone screw head 32. When locked, the leading end of the ramped portion of the locking element would be lower than the prominence of the bone screw head 32 so that more force is needed to lift the locking element and untighten it than is needed for the locking element to remain tight and locked. However, the locking element heads 23 need not have slots, be cammed, or have a ramped surface to achieve the locking of the bone screw 30 in place. Pressure, friction, interference fits, or other engagement means capable of preventing the locking element from moving from its locked position may be employed.

The rivet 202, shown in FIGS. 17-20 is intended for use in association with plate 70 shown in FIGS. 14-15, is shown in detail in cross section in FIGS. 19 and 20. The rivet 202 has a head 204, a shaft 206, and an elongated bottom segment 208 for fitting within the corresponding opening 200 in the plate 70. The lower surface 210 of the head 204 of the rivet 202 has an irregular surface which may be cammed, such as on the bottom of locking element 20, 21, for engaging the top surface 39 of the bone screw head 32. For use in the end locking holes 19, the upper surface of the elongated bottom segment 208 can have an irregular surface for cooperating with the irregular surface of the bottom of the plate 70 to hold the rivet 202 in the locked position against the bone screw head 32, as shown in FIG. 15. While the rivet of FIG. 18 is a separate, removable component from the plate, the rivets, and particularly those for use with the end locking holes, can be formed as part of the plate during the manufacturing process of the plate and rivet can be non-removable.

Each of the above embodiments provides tight attachment of the locking element relative the bone screw 30 and relevant plate.

In the alternative embodiment of multiple locking plate 23 shown in FIG. 22, the locking element can be in the form of threaded locking cap 300 shown in FIG. 23. The threaded locking cap 300 has a thread 302 on its outer circumference corresponding to the thread 303 on the inner circumference of the locking element depressions 304 in the top of the plate 230 shown in FIG. 22. The locking cap 300 is relatively thin, particularly compared to its width. The top 305 of locking cap 300 is provided with a noncircular through hole 306 for receiving a similarly configured driving tool.

Referring to FIGS. 28, 29, and 30 another embodiment of the multiple locking plate generally referred to by the number 400 and a locking element in the form of a thin locking member 412 are shown. Plate 400 has an opening in its top surface for insertion of the thin locking member 412, a recess 402 associated with each of the bone screw receiving holes 408 and a slot 410 in the side wall of the bone screw receiving holes 408 to permit the thin locking member 412, having a series of thin projections or blades 414, thinner than the slot 410, that give this locking member 412 an appearance similar to that of a propeller. The thin locking member 412 is able to be rotated within the plate so as to not cover the bone screw holes, thus allowing the thin locking member 412 to be pre-installed prior to the installation of the bone screws by the surgeon. Limited rotation of the thin locking member 412 allows the blades 414 to protrude through the slot 410 and to cover a portion of the top of the associated bone screws 30. The blades 414 of the thin locking member 412 are flexible and, when rotated, slide over the top surface 39 of the bone screw head 32 to lock the bone screw 30 in place. As with the other embodiments discussed, each of the embodiments of the locking element is capable of locking more than one bone screw 30. It is appreciated that the various multiple locking plates and locking element combinations are capable of lock-

16

ing as many as four bone screws at once, but are equally effective for locking a lesser number or none at all, that is securing itself to the plate.

It will be noted that one characteristic of each of the above described locking element embodiments is to have a driver engagement means, in these cases for example, a recess 24 as large as the recess 34 in the bone screws 30 so that the same tool can be used to turn both the bone screws 30 and the locking elements. Also, the locking elements are sufficiently strong and have sufficient mass so as to be able to withstand being locked without breakage.

All of the shown examples of the multiple locking elements that have a number of cutout portions have an arc with a radius greater than that of the bone screw head. In addition, the head 23 of each locking element 20, 21 is provided at its center with a noncircular recess 24, such as shown in FIG. 9 which is engageable by an appropriate manipulation tool, such as shown in FIGS. 40-42. In the embodiment of head 23 shown in FIG. 9, the associated tool would have a hex head, but as discussed with regard to FIGS. 80 and 81, other shapes of recesses in the head 23 may be used. The thread of each locking hole 12 and of each locking element 20, 21 has a close tolerance so that they will reliably retain their orientations so as to permit introduction of bone screws 30 into bone screw receiving holes 6, 8 without interference.

It is appreciated that while various forms of locking elements have been disclosed, in light of the teaching, other equivalent means can be used for the purpose of locking the bone screws 30 in place. In FIG. 83, an alternative multiple locking plate 990 is shown having additional intermediate bone screw receiving holes 980 and associated locking elements 960 for locking bone screws 30 in place. Plate 990 allows for a more close spacing and more pairs of bone screw holes than the number of vertebrae to be engaged.

In FIGS. 84A-84E various plates 700a-g used for a single level fusion are shown. Each of these plates 700a-g is designed to span one spinal segment consisting of one disc space and two adjacent vertebrae (containing the bone graft), and have bone screws inserted into the end of the vertebrae through the bone screw receiving holes 6 associated with the two adjacent vertebrae and then locked in place. As shown in FIGS. 84A-84E, one locking element 710, or two locking elements can be used to lock four bone screws in place. In FIGS. 84A-84E, each of the plates 700a-e is shown with the locking elements in their open orientation, before being rotated to lock the bone screws.

Each of the above described plates can have the same generally biconcave contour as already described for conforming to the anterior aspect of the spine.

FIGS. 24A and 24B provide a side view of one embodiment of a bone screw 30 according to the present invention. FIG. 27 is a top view of the bone screw 30. At the center of bone screw head 32 is a profiled recess 34 which may have the same form as the recess 24 of each locking element 20, 21 in which case it may be turned with the same tool as that employed for turning locking elements 20, 21. It is appreciated that the driver engaging portion of the bone screw 30 could be slotted, and be either male or female (as is shown).

In the embodiment of bone screw 30 shown in FIGS. 24A and 24B, the bone screw head 32 is stepped, with the first lower head portion 35 being contiguous with the screw shank 33 and has a smaller diameter than the upper portion of the bone screw head 32. When this embodiment of bone screw 30 is employed, each bone screw receiving hole 6, 8 of the plate 2 has a countersunk region 14 matching the diameter of the upper portion of the bone screw head 32 and dimensioned for an interference fit. The lower portion 35 of the bone screw

17

head 32 is dimensioned to achieve an interference fit with its associated portion of bone screw receiving holes 6, 8. The larger diameter upper portion of bone screw head 32 assures that the bone screw 30 cannot be advanced completely through bone screw receiving holes 6, 8 of plate 2. The bone screw 30 passes completely through the upper surface of the plate 2 without engaging the upper surface in any way.

As shown in FIG. 44, the head 32 of screw 30 passes unobstructed through the upper surface of the plate until the lower surface of enlarged screw head 32 engages the upper face of the narrowed bone screw receiving portion at the midsubstance or below the midsubstance of the plate. This is considered optimal for allowing for the greatest screw to plate stability, even absent the lock, against all forces except those reverse the path of insertion, while still providing for the greatest plate strength beneath the bone screw head 23. That is, since the plate is of only generally 2-3 mm in thickness, a sheer vertical circumferential wall is best able to constrain the motion of a screw if the head is similarly configured and there is little tolerance between them. Placing the support of the head near the mid thickness of the plate is preferred as it allows the head to remain large to accommodate the recess for the driver without being weakened, while placing the support of the head away from the upper surface of the plate allows the screw head to be deep into the plate. Placing the support of the head at approximately the mid thickness of the plate assures plenty of plate material beneath the head to support while providing adequate head length above and below the contact point to prevent the contact point from acting as a fulcrum by providing adequate lever arms to prevent unwanted motion.

In the alternative embodiment of bone screw 30', as shown in FIG. 25, bone screw head 32' is tapered in the direction from the top of the bone screw head 32' toward screw tip 36'. Again, the bone screw head 32' is dimensioned to achieve an interference fit in the associated bone screw receiving hole 6, 8 when the bone screw 30' has been fully installed. When this embodiment of bone screw 30' is employed, bone screw receiving holes 6, 8 need not be provided with a countersunk region 4.

In each of the above embodiments of the bone screws, the bone screws 30 and 30' present a unique combination of a tapered screw shaft 33 and a helical thread 31. The diameter of screw shaft 33 generally increases from a distal portion of the shaft near the screw tip 36 toward the proximal portion of the shaft near screw head 32. In the preferred embodiment, the rate of increase in diameter is also greater near the bone screw head 32. Such a shape avoids stress risers and provides increased strength at the screw-plate junction, where it is needed the most. The tapering of screw shaft 33 may have a concave form, as shown in FIG. 24A, or may be linear. The distal portion of the screw shaft 33 may assume a constant diameter.

Referring again to FIGS. 24A and 24B, the thread 31 of the bone screw 30 has a substantially constant outer, or crest, diameter "d" from the proximal portion of the shaft below the bone screw head 32 to the distal portion of the shaft near the bone screw tip 36. In the screw tip 36, the crest diameter of thread 31 may be reduced for preferably one to two turns to facilitate the insertion and penetration of the bone screw 30 into the bone.

In the preferred embodiment, the thread 31 of each bone screw 30 has an outer diameter slightly smaller than the diameter of the lowest portion 35 of the bone screw head 32, which is adjacent the trailing, or upper, end of the associated thread 31. In addition, the thread 31 is relatively thin, in the direction of the longitudinal axis of the screw, and tapers outwardly, and has a cross section of a triangle.

18

An example of the dimensions of a bone screw for use in human anterior cervical spinal surgery for insertion into the vertebrae is as follows: the threaded portion of said screw has a length from about 10 mm to about 22 mm (12-18 mm preferred) and a head length from about 1 mm to about 3 mm (2-2.5 mm preferred). The threaded portion should have a maximum outside diameter from about 3.6 mm to about 5.2 mm (3.8-4.5 mm preferred) and the head has a diameter from about 3.8 mm to about 6 mm (4-5.5 mm preferred). The thread pitch is from about 1.25 mm to about 2.5 mm (1.5-2.0 mm preferred) and has a sharp and thin threaded profile. The apex of the two faces of the thread have an angle of less than about 21 degrees (15 degrees preferred) and the base of the thread is less than about 0.60 mm thick (0.25 mm-0.35 mm preferred). The screw has a root diameter that increases from proximally above the tip of the shank, along the longitudinal axis to proximally below the head portion of the screw. Preferably, the tip of the screw tip is fluted by at least one cut out section so as to make the screw self-tapping.

Even though the thread 31 of the bone screw 30 has a thin profile, the thread will nevertheless be stronger than the bone into which it is introduced so that this thread will efficiently cut a thin helical groove in the bone tissue. The volume of bone that will be displaced by the thickness of the thread is minimized by the thin form of the thread, yet the substantial crest diameter of the screw thread maximizes the surface area of the threads in contact with the bone. While enlarging the screw shaft 33 diameter near the bone screw head 32 increases its strength where needed, reducing the screw shaft 33 diameter away from the bone screw head 32 where such strength is not required allows for the maximum area of engagement for the thread 31 to the bone.

In the preferred embodiment, as shown in FIGS. 24A and 26, bone screw tip 36 is provided with cutting flutes 38, to make the bone screw 30 self-tapping. Unlike the prior art bone screws, used for anterior cervical spinal surgery which are not self-tapping, the thread form of the present invention screw is itself more like a tap than a conventional screw in that the threads are very sharp and fluted. Additional embodiments of the bone screws 30 is shown in FIGS. 53-55.

By way of example, plates for fusing three adjacent vertebrae (2 interspaces, or two spinal segments) are shown. Each set of the bone screw receiving holes associated with a vertebrae is considered to be a segment of the plate so that for example, in FIG. 1 three segments are shown—an upper, a central, and a lower segment. While the present discussion is in association with plates for use in fusing three vertebrae across two interspaces, it should be understood that longer and shorter plates having the appropriate number and location of bone screw receiving holes corresponding to the number of vertebrae to be fused are contemplated, and would take the form of the plates shown with fewer or more intermediate segments, such as the segment along line 9 of FIG. 1, or the intermediate segments of the plates shown in FIGS. 82-84F.

Referring to FIGS. 31-42, an outline of the steps of the method for installing the plates of the present invention is set forth below. A detailed description of the instrumentation and method for installing the plates of the present invention follows the outline.

60 Step 1

Having completed the interbody fusions, the surgeon removes any bone spurs or localized irregularities along the front of the spine of the area to be fused.

65 Step 2

The correct length plate is selected by the surgeon by measuring the distance on the spine by a caliper, ruler, tem-

19

plate, and the like. That plate having a length sufficient to span the distance of the spine to be fused and to partially overlap a portion of each of the end vertebrae to be fused.

Step 3

Utilizing a plate holder, the plate is placed into the wound and positioned to confirm positioning, length, and screw hole alignment relative to the segments of the spine to be fused.

Step 4

As shown in FIG. 31, with the plate thus positioned and securely held, the plate may be attached to any of the vertebrae to be fused (by example only, here shown as the top vertebra).

Sub-Step 4A

The pilot (guide) hole punch 60 is attached to the plate 2 as per FIG. 32, or alternatively, while not preferred the drill guide may be used as per FIG. 37. In either event, the pilot hole forming means rigidly aligns with and is captured by the plate bone screw receiving hole wall.

Sub-Step 4B

The pilot hole is then formed by impacting the pilot hole punch of FIG. 32 or drilling with the drill of FIG. 37. In the alternative while not preferred, the formation of the pilot hole can be done away with altogether and the correct screw selected so as to have a length less than the distance along its path to the posterior vertebral cortex can be directly inserted.

The determination of the appropriate screw length is made by measuring or templating from radiographs, MRI's, or CT scans, or determined directly by measuring the depth of the disc space.

Step 5

The correct screw is then attached to the screw driver which regardless of the specific form of the screw driver engagement means, is designed to have an interference fit so as to remain firmly bound to the driver during transport to the insertion site. FIGS. 41, 42, 63, 64, 80 and 81 show various ways of achieving such a fit of the driver and screw. In addition to a wedging at the screw and driver interface, clips, and springs and other means are well known for temporarily and reversibly securing the screw to the driver, such as is shown in FIG. 80 where a slotted inwardly springing sleeve holds a threaded cap peripherally until, as it is screwed into the plate, it is automatically pushed back releasing the threaded cap.

Once a first bone screw has been fully inserted into a vertebra through the plate, it is preferable to insert the other of the transverse pair in the manner already described as per FIG. 33.

In a similar manner, it is possible to insert the remaining bone screws as per the surgeon's preference into each of the vertebrae to be included into the fusion, just the end vertebrae of the fusion construct, or additionally place screws into the fusion grafts.

However, as shown in FIGS. 33, 34, 38 and 39, it is possible with the present invention at the surgeon's option to place any portion or all of the fusion construct under compression and to do so intersegmentally or across the entire length of the fusion construct even when multi-segmented.

It is appreciated that the same procedure could be generally used for any of the plate systems of the present invention.

As shown in FIG. 31, the vertebrae 50a-c are separated from one another by fusion graft blocks 51 which were previously installed in the spinal disc space between adjacent vertebrae 50 forming a fusion bone graft construct. Plate 2 is shown in FIG. 31 with the locking elements 20, 21 removed in order to simplify the illustration. It will be understood, how-

20

ever, that in the preferred embodiment the locking elements 20, 21 can be, and preferably are, pre-installed in the positions shown in FIG. 6 prior to positioning plate 2 upon vertebral bodies of the vertebrae 50, thereby saving the surgeon time and trouble.

Plate 2 may be held in position by any known plate holding means, but preferably by the holding tools shown in FIGS. 45, 46 or 70 by the notches 142 in the sides of the compression arms 104, 130 of a vertebral compressor tool 100 shown in FIG. 39, or as a further alternative, by the unitary plate holder similar to the FIG. 70 design.

As shown in FIG. 45, plate holder 870 has a hollow tubular housing 872, with a central rod 874 having a thread 878 at one end for engaging one of the threaded locking holes 12 in the plate 2. The bottom end of the housing 872 has projections 880, 882 that extend outwardly and then downwardly to fit into the bone screw receiving holes 8 of the plate 2 preventing the housing 872 from rotating. The central rod 874 is located in the housing 872 such that it can be rotated by rotating a handle (not shown) which is fixed to the central rod 874 at its upper end.

In FIG. 46 an alternative embodiment of the plate holder 890 is shown. A single solid member 890 has a threaded projection 894 at its bottom end for attachment to the central threaded locking hole 12 in the plate. The bottom surface of the holder 890 of this embodiment is contoured so as to match the contours of the top surface of the plate adjacent to the locking hole 12, shown as a depression 14 (FIG. 1).

Referring to FIGS. 67-68, an embodiment of a plate holder for holding any of the plates while being positioned on the vertebrae is shown and generally referred to by the number 800. The plate holder 800 has a hollow tubular housing 802, with a central rod 804 having a handle 806 at one end and a thread 808 at its other end for engaging one of the threaded locking holes 12 in the plate 600. The bottom end of the housing 802 has projections 810, 812 that extend outwardly and then downwardly 814, 816 to fit along the side edge of the plate 2 between the end and intermediate lobes 4, preventing the housing 802 from rotating. The central rod 804 is located in the housing 802 such that it can be rotated by rotating the handle 806 which is fixed to the central rod 804 at its upper end. This central rod 804 can also be attached to the housing 802 so that it can move up and down to some extent, by any number of conventional ways, such as by having the central rod 804 have an annular depression with a length of approximately 3-5 mm, and a set screw projecting inward from the housing to engage the central rod 804. Once the plate 600 is in the proper place and the plate is attached to one of the vertebrae by bone screws 30, the central rod 804 is disconnected from the opening in the plate 600 and the holder 800 is removed.

FIG. 69A is an alternative embodiment of the plate holder 850. A single solid member 852 has a threaded projection 854 at its bottom end for attachment to the central threaded locking hole 12 in the plate. The solid member 852 could also be threaded into a bone screw receiving hole 6. The bottom surface of the holder 850 of this embodiment is contoured so as to match the contours of the top surface of the plate adjacent to the locking hole 12, shown as a depression 14 (FIG. 1).

FIG. 69B is another embodiment of the plate holder 850'. A housing 851' having an end 853' configured to engage a bone screw receiving hole 6 contains a rod 855' having an uneven diameter and having a threaded portion 857'. As rod 855' is rotated by a handle similar to handle 806 shown in FIG. 68, rod 855' screws downward into the housing 851' into matching threads 858'. As the end of rod 855' is driven down, it spreads portions 859a' and 859b' (859c' and 859d' not shown)

21

wedging plate holder **850'** into a bone screw receiving hole of the plate. Plate holder **850'** is best used with non-threaded bone screw receiving holes, but works for all types of bone screw receiving holes.

Referring to FIG. **70**, an alternative embodiment of the plate holder referred to by the number **800'** is shown in which there is a removable handle **860** that is used for first attaching the plate holder **800'** to the plate, by rotating the shaft **804**, and then for holding the plate holder **800'** off to the side by extension **864**, during the attachment procedure reducing the interference of the plate holder **800'** with the surgical procedure.

Referring to FIG. **38**, a compression tool **100** is shown with a toothed gear bar **102** having a first compression arm **104** secured to its free end. Compression arm **104** has at its distal end a bore **106** for removably holding either a plate engaging element **108**, shown in FIG. **36**, having a hook **110** at one end for engaging a depression or notch **18** in the end of plate **2**, or for removably holding a compression post **54** shown in FIGS. **33-34**. As shown in FIG. **36**, plate engaging element **108** includes a shaft **112** that will be inserted into the corresponding bore **106** of compression arm **104**, and a flange **115** for resting against the bottom face of bore **106** to accurately limit the depth of insertion of plate engaging element **108** into the bore **106**. A ring spring **128**, preferably of metal, is located in an annular depression of the shaft **112**, for holding the plate engaging element **108** in the bore **106**.

Referring to FIGS. **38-39**, compression tool **100** includes a second moveable compression arm **130** movable along toothed bar **102** parallel to first compression arm **104**. The distal end of the second compression arm **130** also has a bore **132**, the same as bore **106**, that can receive a removable compression post **54**. Bores **106** and **132** are the same so that either compression arm **104**, **130** can be used to hold the removable compression post **54**, permitting the compression tool **100** to be used in any orientation. By permitting the plate engaging element **108** and the compression post **54** to both rotate and slide in the bores **106**, **132** of the two compression arms **104**, **130**, with the plate engaging hook **110** able to work even at an angle to the plate allows for the apparatus to be readily attachable to the spine through the compression post **54** and plate.

Compression arm **130** has a driving assembly consisting of a toothed wheel (not visible) which is engaged with the tooth gear **138** of bar toothed gear **102** and is connected to compression arm **130** such that compression arm **130** is movable along the length of toothed gear bar **102** by means of the rotation of handle **140**, which is connected to the toothed wheel. When the handle **140** is turned in the direction of the arrow shown in FIG. **38**, compression arm **130** is moved toward compression arm **104**. The driving assembly has a self lock release mechanism whereby the movement of the two compression arms **104**, **130** away from one another is prevented, without the activation of the release. On the inward distal end of each compression arm, on facing sides, is a notch **142** or recess for holding the plate **2** along its sides between the central lobes **4** and end lobes **4**, as shown in FIG. **38**.

While the toothed gear bar **102** and compression arms **104**, **130** have been described as being straight, it is possible that the toothed gear bar **102** and compression arms **104**, **130** may be arcuately or otherwise shaped, so as to induce lordosis in the vertebrae, if so desired.

As shown in FIG. **31**, in the event that the compression tool **100** is used to hold the plate **2**, the ends **144** of the compression arms **104**, **130** will be located in line with the fusion graft construct **51** which was placed in the disc space when plate **2** is properly positioned. A gap will exist between plate **2** and

22

each fusion graft construct **51**, providing a space to accommodate the free ends of arms **104**, **130** should they extend beyond the bottom surface of the plate **2**. As will be described below, the same compression tool **100** can also be used for compressing a plurality of cervical vertebral bodies with bone grafts interposed during the attachment of plate **2** to the vertebrae **50**.

Referring to FIG. **31**, plate **2** is held by a suitable holder, in this case shown as the compression arms **104** and **130**. Once the appropriate length plate **2** has been properly positioned so that the bone screw receiving holes **6** are aligned with each of the respective vertebrae **50a-c** to be fused, the next step is the formation of bone screw receiving holes **6** prior to installation of the bone screws **30** themselves in the vertebrae **50a**. While the procedure is described as first attaching the plate **2** to the upper vertebrae **50a**, the plate **2** can be attached to any of the vertebrae in any order. Different sized plates are used so that, as indicated above, the physician will select the appropriate sized plate in which the bone screw receiving holes **6**, **8** are aligned with the three adjacent vertebrae **50a**, **50b** and **50c**. Pilot holes are formed by a pilot hole forming apparatus **60** shown in FIGS. **31** and **32**. Unlike with known prior art and screw plating systems, the bone screws **30** may be inserted without the prior formation of an opening into the vertebrae as the bone screws **30** are preferably sharp pointed, self-tapping, and have at their tip a diminishing major diameter to assist the screw entering and pulling into the bone. However, while a hole into the bone of the vertebrae may be formed prior to screw insertion, it is preferable that the hole be of a smaller diameter than the root diameter of the screw and for a different purpose than with the prior art. With the prior art the hole drilled had to be of a diameter equal to but preferably larger than the root (minor) diameter of the screw, as the screws were not self-tapping. It is desirable to create pilot holes to assure that a proper path for the bone screws **30** is maintained, and also to prevent damage to the vertebral bone during insertion of the bone screws **30**. In addition, the pilot hole forming apparatus **60** creates a more compact vertebral bone mass for reception of the self-tapping bone screw **30** used in this insertion.

As shown in FIGS. **31** and **32**, pilot hole forming apparatus **60** includes a hollow cylindrical housing **62** having a bottom provided with a through hole **63**. Housing **62** contains a central shaft **64** which extends through the through hole **63** in the bottom of housing **62**. The leading end **66** of shaft **64** tapers gradually to a sharp point **65**. Shaft **64** is provided with a ring member **78** having a diameter which closely corresponds to the inner diameter of housing **62** to guide the travel of shaft **64** within housing **62**. A compression spring **67** is interposed between the ring member **78** and the bottom of housing **62**. Compression spring **67** provides a bias force which normally urges the sharp point **65** into a retracted position within housing **62**. The upper end of shaft **64** has an enlarged head **68** extending outside of the housing **62** which is intended to be manually depressed or struck by a percussion instrument in order to drive the sharp point **65** out of housing **62** and into a vertebral body **50a**. Shaft **64** is given a length, taking into account the length that spring **67** will have when fully compressed, to determine the maximum depth of the pilot hole formed in a vertebral body. The depth is selected to assure that the pilot hole does not reach the posterior cortex of the vertebral body, which borders the spinal canal.

Certain structural features of hole forming apparatus **60** are shown in greater detail in FIG. **32**. In particular, it can be seen that the bottom end of housing **62** has a projecting portion **69** dimensioned to fit precisely in a bone screw receiving hole **6** or **8** of plate **2**. The bottom **71** of the projecting portion **69** is

flat in a plane perpendicular to the axis of housing 62. When the projecting portion 69 of housing 62 is snugly inserted into a bone screw receiving hole 6, 8 and the flat bottom 71 is placed flush against the upper surface of plate 2, it is assured that the leading end 66 of shaft 64 will form a pilot hole in the vertebral bone having an axis perpendicular to the plane of the associated portion of plate 2, thereby assuring that the bone screw 30 will be subsequently installed so that its axis is also perpendicular to the plane which is parallel to the upper and lower surfaces of the associated portion of plate 2.

When a plate is used which has a threaded bone screw receiving hole, the lower end of the pilot hole forming apparatus 60 is threaded so as to engage the thread in the bone screw receiving hole 6, 8 thereby fixing the plate and the pilot hole forming apparatus together, assuring a stable fit between the pilot hole forming apparatus and the plate 2. It should be noted that the diameter of the leading end 66 of the shaft 64 is small since it has to fit within the small space left between the inside wall of the pilot hole forming apparatus. Since it is only a pilot hole for a self-tapping bone screw 30 that is being formed, the small diameter is satisfactory.

Referring to FIG. 37, if for any reason it should be desired to form the pilot hole in the vertebral body 50 by drilling, rather than by the use of the pilot hole forming apparatus 60, use can be made of a drill guide 80, having a lower end as shown in FIG. 37. The drill 80 guide consists of a tubular member 82 and a small diameter lower end 84 which is dimensioned to achieve a precise interference fit in the associated bone screw receiving hole 6, 8 of plate 2. Along the small diameter lower end 84, drill guide 80 has an axial end surface in a plane perpendicular to the longitudinal axis of the drill guide 80 so that when the small diameter portion 84 is fitted into the bone screw receiving hole 6 and the surface surrounding the small diameter portion 84 is flush against the upper surface of plate 2, the axis of the drill guiding bore 86 in drill guide 80 will be precisely perpendicular to the upper and lower surfaces of the associated portion of plate 2. As with the case described above, the bottom end of the drill guide 80 can be threaded so as to engage to the threaded opening of plate 2.

After the bone screw receiving holes 6, 8 are formed in the vertebral body 50a through the upper two bone screw securing holes 6 of plate 2 by means of either hole forming apparatus 60 or drill guide 80, bone screws 30 are threaded into the vertebrae 50 while holding the plate 2 firmly against the vertebrae 50 with compression tool 100 or plate holder 800. This locks the plate to the vertebrae 50a.

It is then possible, if desired, to compress the fusion graft in the next adjacent vertebrae 50b before attaching bone screws 30 to the adjacent vertebrae 50b through the central bone screw receiving holes of plate 2. Once the initial bone screws are in place in the vertebrae 50a, the plate holder 100 or 800 may be removed from the plate 2. The compression of the fusion graft construct between the two adjacent vertebrae 50a and 50b is achieved as follows:

Compression post 54 is driven through the central locking hole 12 of plate 2 by means of insertion tool 90, shown in FIGS. 33, 34 and 35, into the vertebral bone of vertebra 50b, where it will be used in a subsequent step to apply a compression force between vertebrae 50a and 50b. Compression post 54 consists of a shaft 56 having a sharp point 57 at its lower end, an enlarged central collar 58 which serves as a depth stop, and a circumferential groove 59 proximate its upper end, defining an enlarged head 55.

Compression post insertion tool 90 consists of a shaft 92 having a closed hollow portion 94 at its lower end 96 for receiving compression post 54 and an enlarged percussion

cap 98 at its other end. Compression post insertion tool 90 also includes in its lower end 96 a second opening 95 having a recess 99 in its inside wall for permitting engagement of the enlarged head 55 on the compression post 54 within the depression 97. The second opening 95 is in communication with the hollow portion 94 of the insertion tool 90, as shown in FIG. 35.

Referring to FIG. 38, the bore 132 in the second compression arm 130 of compression tool 100 is then applied over compression post 54 in vertebrae 50b, and the plate engaging element 108 is inserted in the bore 106 of the first compression arm 104 of compression tool 100. The hook 110 of the plate engaging element 108 shown in FIG. 36 is fitted into the notch 18 at the end of the plate 2 which is fixed by the bone screws 30 inserted into the vertebrae 50a, as shown in FIG. 38. As indicated above, however, the compression tool 100 can be rotated so that the first compression arm 104 is now at the bottom and is able to fit over the compression post 54 in vertebrae 50c.

Since the plate is attached to vertebrae 50a by means of bone screws 30 and compression post 54 is fixed to the adjacent vertebrae 50b, movement of the first and second compression arms 104 and 130 in the direction of vertebrae 50a by rotation of handle 140 results in compression of the bone graft construct 51 between the adjacent vertebrae 50a and 50b. The distance of several millimeters is sufficient for compression of the bone graft construct 51. Once the desired compression is obtained, bone screw pilot holes can be formed in vertebral body 50b by means of pilot hole forming apparatus 60, as described above, for insertion of bone screws 30 into bone screw receiving holes 8 of bone plate 2, fixing the plate 2 to the adjacent vertebrae 50b. Compression tool 100 can then be withdrawn by activation of the release.

FIG. 39 illustrates the use of compression tool 100 to induce compression between the lower two vertebral bodies 50b and 50c after bone screws 30 have been installed in the middle vertebral body 50b as just described. As shown in FIG. 39, compression post 54 remains in place in the middle vertebral body 50b and an additional compression post 54 is driven into the lower vertebral body 50c by means of pilot hole forming tool 60 distal to the plate itself in the recess between the end projections 4 to allow for the lower compression post 64 to be moved towards vertebrae 50b upwardly as shown. The original compression post 64 is inserted in bore 106 in the first compression arm 104 and the additional compression post 54 is inserted into the bore 132 of the second compression arm 130 of compression tool 100. Again, as discussed above, the turning of the handle 140 results in the two compression arms 104, 130 moving towards one another, resulting in the compression post 54 in vertebrae 50c moving towards the upper compression post 54 in vertebrae 50b, once again compressing the fusion graft construct 51 between vertebrae 50b and 50c. The upper compression post 54 in vertebrae 50b can not move since the vertebrae 50b has been fixed to the plate by the insertion of the bone screws 30 in the bone screw receiving holes 8 of the plate 2. Thus, only the lower compression post 54 and vertebrae 50c can move. As before, the pilot holes associated with vertebrae 50c are formed and the bone screws 30 are inserted through bone screw receiving holes 6. The compression tool 100 is then removed. Compression post 54 is then extracted from the vertebrae by inserting it in the second opening 95 of the compression post insertion/removal tool 90, so that it engages the enlarged head 55 of the end of compression post 54 by depression 97, as shown in FIG. 34.

It is recognized that other variations in the order of compression may be employed. For example, during the compression

sion of the fusion graft construct **51** between vertebrae **50b** and **50c**, the hook **110** of plate engagement element **108** may engage the notch **18** in the end of the plate **2**, and the other compression arm of the compression tool **100** may engage the compression post **54** in the third adjacent vertebrae **50c**. It should also be noted that plate **2** has a recess end cut out portion between the lobes at the end of the plate for insertion of the compression post **54** in the vertebrae. Otherwise, there may not be room below the end of the plate **2** for insertion of the compression post **54**.

It will be noted that the above-described procedure will be performed with the bone screws **30** fully inserted into vertebral bodies **50a**, **50b** and **50c** and lordosis is maintained during compression of the bone graft construct **51**.

As indicated above, the procedure for attaching the plate **2** to the vertebrae **50a**, **50b** and **50c** was illustrated without the locking screws **20**, **21** in place on the plate **2**. FIG. **40** is a perspective view showing the plate **2** of FIGS. **1-5**, at a stage of a surgical procedure when bone screws **30** have been fully installed in three adjacent vertebrae **50a**, **50b** and **50c**, and locking screws **20**, **21** have been rotated through an angle of about 90N to lock three bone screws **30** in place; the left-hand locking screw **20** as viewed has been rotated through an angle of about 60N to lock three bone screws **30** in place and the central locking screw **21** has been rotated through an angle of about 90N to lock two other bone screws **30** in place. At this time, one of the camming surfaces **44** of each locking screw **20**, **21** rests atop the screw head **32** of a respective bone screw **30**.

Installation of the locking cap **300** can also be performed with a tool **220** such as shown in FIGS. **41** and **42** having a suitably shaped tip **222** with a length corresponding to the depth of hole **306** in a locking cap **300**. The end **222** of tool **220** is flared just proximal to the most distal end so that it creates a friction fit with the screw cap **300** for ease of manipulation, and prevents the screw cap **300** from falling off the tool **200**.

FIG. **43** is a cross-sectional view in the plane of the center of the two end locking screw holes **6** of plate **2**, with two bone screws **30** in their installed positions and locking element **21** in its locking position. FIG. **44** is an enlarged view of one of the bone screws **30** in plate **2** of FIG. **43**. In a preferred embodiment, the axis of each screw **30** is generally perpendicular to tangents to the upper and lower surfaces of plate **2** at points which are intersected by the longitudinal axis of the associated bone screw **30**. Thus, because of the curvature of plate **2** in the plane of FIG. **43**, bone screws **30** can be directed so as to converge toward one another at a desired angle. Preferably, such angle will be greater than 14°. More preferably, such angle will be greater than 14° and less than 30°. The axis of the two bone screws **30** shown in FIG. **43** may subtend an angle of about 45N. Alternatively, the curvature of the plate from side to side may be so as to conform to the surface of the anterior aspect of the human adult cervical spine and the axis of the paired screw hole may deviate from being perpendicular to the plate when viewed on end to achieve optimal convergence.

Because the bone screws **30**, once inserted, are locked to the plate, a "claw" of a rigid triangular frame structure is obtained at each pair of bone screws **30** such that the attachment of plate **2** to the vertebral bodies **50a**, **50b** and **50c** would be highly secure due to the trapping of a wedged mass of bone material between the angled bone screws triangle, even if any thread stripping should occur. The "claw" may be further formed by three angled bone screws in a tripod configuration or by four bone screws in a four sided claw configuration.

A plating system according to each of the above embodiments can be installed in the same manner as described above, and using the same instruments and tools, as illustrated and described above with respect to the first embodiment. In the case of the embodiment shown in FIG. **22**, the compression operations would be performed by means of slot **232** instead of the middle locking screw hole **12**.

2. The Single Locking Plate Systems

The single locking plate system will now be described. FIGS. **47-52** are views of a first embodiment of a single locking plate system. The contour of plate **600** is the same as the plate **2** shown in FIGS. **1-5**. Plate **600** contains bone screw receiving holes **602** which are internally threaded **603** for receiving corresponding locking elements in the form of a locking cap **610**, shown in FIGS. **56-59**. For example, in plate **600**, the bone screw hole **602** has an outer diameter of approximately 5 mm with a preferred range of 4-6 mm; and a threaded inner diameter of approximately 4.8 mm, with a range of 3.5-5.8 mm for this use. Attaching means other than threads may be used, such as bayonet type attachment elements.

The bottom of each bone screw receiving hole **602** has an inwardly stepped portion of properly selected dimensions for retaining an associated bone screw **170**, as shown in FIGS. **53-55**. As described in greater detail below, in this embodiment, a single locking element in the form of a locking cap **610** having threads **608** shown in FIGS. **56-59**, is associated with each of the bone screws receiving holes **602**.

The difference between the bone screw **170** used in the single locking embodiment of the plate from the bone screw used in association with the multiple locking plate is essentially due to the fact that whereas in the multiple locking plate embodiment the locking elements slide over a portion of the top **39** of the screw head **32**, in the single locking embodiment the locking cap **610** fits over the head **172** of the bone screw **170**. Therefore, the head **172** of the bone screw **170** of the present embodiment need not be smooth. This permits the head **172** of this embodiment bone screw **170** to be thicker and stronger.

FIG. **65** shows two bone screws **170** and associated threaded locking caps **610** in their fully installed positions. In these positions, head portions **174** and **176** of each bone screw **170** form an interference fit with corresponding portions of an associated bone screw receiving hole **602**. Rim **612** of each threaded locking cap **610** forms an interference fit with upper portion **178** of the head of its associated bone screw **170**. Because the thread **608** of each locking cap **610** mates precisely with the internal thread in an associated bone screw receiving hole **602**, each threaded locking cap **610** is additionally subjected to a clamping force between associated head portion **178** and the internal threads **603** of associated bone screw receiving hole **602**. The rounded head **614** of each threaded locking cap **610** assures that the upper surface of an assembled plating system will be free of sharp edges, or projections.

Referring to FIGS. **80** and **81** tools for use in inserting both the bone screws and the locking cap in the single locking plate **600** are shown. In the first embodiment of the driving tool **1000** shown in FIG. **80**, the tool **1000** has an outer tubular housing **1002**. Within the housing **1002** is a torqs type or hexagonal driver **1004** that has a projecting end **1006** that corresponds to the recess **306** in the cap **610** for engagement with the cap **610**. As indicated above, the driver **1004** is configured so that it makes a firm attachment for the locking cap **610** for holding the locking cap **610** firmly to the driver. The hex driver **1004** is hollow so as to be able to permit the

shaft **1010** of a Phillips or torqs screw driver to fit through the hollow portion **1012** for engagement by its tip **1012** with the corresponding recess **180** of bone screw **170** for engagement by the end **1006** of the driver **1004**. The shaft **1010** of the driver **1000** is longer than the tubular housing and driver **1004** has an upper end (not shown) extending from the top end of the tubular housing **1002** so that it can be rotated by the handle.

The housing **1002** has a diameter that permits the locking cap **610** to be held within the inner end of the tubular housing **1002** by a friction fit or to the driver **1004**. It is appreciated that other methods of holding the locking cap **610** within the end of the tubular housing **1000** may also be employed.

As shown in FIG. **80**, the operation of the bone screw and locking element driver **1000** is as follows: the cap **610** is inserted onto the end of the cap driver **1004**, and then the cap driver **1004** with the shaft **1010** of the bone screw driver passing through the central longitudinal opening of the cap driver. As shown, the bone screw driver shaft **1010** passes through the recess **306** in the cap **610** and engages the recess **180** in the head of the bone screw **170**. The bone screw **170** is shown being installed in a bone screw receiving hole in the plate **600**. The handle (not shown) of the bone screw driver is rotated, thereby screwing the bone screw **170** in place. Since the diameter of the bone screw driver is less than the width of the recess **306** of the cap **610**, the bone screw driver shaft **1010** is able to rotate without rotation of the cap **610**.

The hollow tubular housing **1002** rests on the top surface of the plate **600** and assists in the alignment of the shaft **1010** in relationship to the plate. Once the bone screw **170** is inserted, the cap driver **1004** is depressed until the threads **608** on the outside of the cap **610** engages the threads **603** of the bone screw receiving hole. The cap driver **1004** is then turned until the cap **610** is securely locked in place.

In FIG. **81**, an alternative embodiment of the combination bone screw and locking cap driver is shown. In this embodiment, a housing is not used. Instead, the driver shaft **1010** holds the cap **610** by friction and the handle **620** for the bone screw driver shaft **1010** is rotated. A ball spring assembly **622** holds the cap driver **1002** up until the bone screw has been screwed into the bone screw receiving hole. Driver **1010** has an elongated portion that once the bone screw has been installed, the ball spring **622** is depressed and the handle **624** associated with the cap driver is permitted to descend for rotation of the cap **610**. A tubular housing can be employed to assist in aligning of the cap **610** in the bone screw receiving hole, as indicated above.

The drivers shown in FIGS. **80** and **81** simplify the procedure, and reduce the number of instruments that are necessary to be used during the installation procedure. The procedure is quick and reliable, giving the physician more assurance that small watch parts will not be lost or difficult to manipulate.

FIG. **52** is a top view of the plate **600** partially installed, with threaded locking caps **600** installed in bone screw receiving holes **602**.

FIGS. **53-55** show a bone screw **170** for use with the single locking plating system according to the invention. Bone screw **170** differs from bone screw **30** previously described in detail, only with regard to the stepped configuration of head **172**. Preferably, bone screw **170** includes a lower portion **174** which is contiguous with the screw shank and has a reduced diameter equal to the maximum diameter of the shank **176**. Portion **178** of head **172** also has smaller diameter than lower portion **174**. The thread **182** has the same configuration as for the bone screw **30** discussed above. However, either embodiment of bone screws can be used with any of the plates.

As in the case of the multiple locking plating system described above, the bone screws **170** for use in the single locking plating system are preferably solid, where the screws adjoin the lower plate surface, where screws used with prior art plates are most prone to breakage, the only recess in the heads being for engagement of the tip **222** of driving tool **220** and with the recess being above the critical area. Therefore, these bone screws **170** remain robust. The screw heads are not deeply slitted into portions and the locking caps do not impose a radial outer force on the associated bone screw heads so the screw heads do not spread apart so as to be stressed and weakened.

Referring to FIGS. **71**, **73** and **75** another alternative embodiment of the single locking plate system of the present invention is shown and referred to by the number **500**. The plate **500** has the same contour as the plate **2** shown in FIGS. **1-5**, but associated with each of the bone screw openings **502**, are threaded openings **524** offset from the bone screw openings **502** for receiving the locking element **506**, **508**, shown in FIGS. **72** and **74** as a threaded locking set screw or cap **506** or screw **508**.

It is appreciated that other configurations of single locking plates may be employed. Referring to FIG. **82**, a single locking plate **900** is shown in which there are a pair of bone screw receiving holes **910** at its ends **930** and a number of bone screw receiving holes **950** along the longitudinal axis of the plate **900**. The additional bone screw receiving holes **950** permit a single plate to be able to be aligned with a number of different sized vertebrae disc spaces, and bone fusion grafts. As indicated above, the plate of the present invention shown in FIGS. **1-5**, requires that a properly sized plate be selected by the surgeon so that each pair of bone screw receiving holes **6**, **8** line up with the appropriate vertebrae. This requires a number of different sized plates to be available for optimum attachment of the bone screw receiving holes to each of the vertebrae. With the plate **900** of FIG. **82**, the close spacing and increased number of central openings permit the surgeon to locate at least one appropriate opening to be aligned with each of the intermediate vertebrae, and/or bone grafts.

The procedure for installation of the single locking plates is substantially the same as described herein in detail for the multiple locking plates. The central longitudinal slot **670** in the single locking plates is used for the compression procedure. The same instrumentation is used to create the plate hole either by means of a punch or a drill. FIGS. **60-69** show the various steps in the procedure for installation of the single locking plates, comparable to the steps employed in the installation of the multiple locking plates.

Referring to FIGS. **76-79** the heads **507** and **526** of the locking elements **508** and **522** have a recess **510** and **524** corresponding to the radius of the bone screw openings **502** and **528** so that the locking element **508** and **522** may be installed in place prior to the insertion of the bone screw **170** into the bone screw receiving hole **502** and **528**. When the locking elements **508** and **522** are rotated, a portion of its head extends over the top of the head of bone screw **170** to lock it in place. As with the above embodiments, the bottom surface of the locking screws **508** and **522** can have a camming or other configuration for engagement with the top surface **39** of the associated bone screw **170**.

While the plate instrumentation and method have been described in association with attaching a plate to the vertebrae of the spine, it should be appreciated that the plates can be adopted for specification to other parts of the body. See, for example, application Ser. No. 09/022,344, filed Feb. 11, 1998, and titled Skeletal Plating System, now U.S. Pat. No. 6,139,550, incorporated by reference above. However, the

dimensions of the plate, the specific contours and placement of the bone screw receiving holes would have to be modified.

Similarly, the bone screws described in this application could be used in other parts of the body, again being modified so as to serve their intended purposes, depending on the size of the body part in which they are to be installed.

While particular embodiments of the present invention have been shown and described, it will be obvious to those skilled in the art that changes and modifications may be made without departing from this invention in its broader aspects and, therefore, the aim in the appended claims is to cover all such changes and modifications as fall within the true spirit and scope of this invention.

While specific innovative features may have been presented in reference to specific examples, they are just examples, and it should be understood that various combinations of these innovative features beyond those specifically shown are taught such that they may now be easily alternatively combined and are hereby anticipated and claimed.

What is claimed is:

1. A plate system adapted for application to the anterior human spine and for contacting at least a portion of the anterior aspects of at least two vertebral bodies, said plate system comprising:

a plate having a longitudinal axis and a length sufficient to span a disc space and overlap portions of at least two adjacent vertebral bodies, said plate having a lower surface for placement against the vertebral bodies and an upper surface opposite said lower surface;

at least two bone screw receiving holes extending through said plate from said upper surface through said lower surface, each of said bone screw receiving holes having a central longitudinal axis and being adapted to receive a bone screw to attach said plate to the spine; and

a locking element for preventing the inadvertent backing out of at least two of the bone screws from within said bone screw receiving holes, said locking element being adapted to engage said plate to lock the bone screws without threading into said plate, wherein said locking element is adapted to be coupled to said plate prior to the insertion of the bone screws in said bone screw receiving holes, and adapted to move, while engaged to said plate, from a first position which permits the insertion of one of the bone screws into one of said bone screw holes to a second position which prevents the bone screw from backing out of said bone screw hole.

2. The plate system of claim 1, wherein said locking element is adapted to slide over at least a portion of said bone screw receiving holes.

3. The plate system of claim 1, wherein at least a portion of said locking element is adapted to slide under a lower-facing portion of said plate.

4. The plate system of claim 1, wherein said locking element is a rivet.

5. The plate system of claim 1, wherein said locking element includes a slot.

6. The plate system of claim 1, wherein said locking element has a lower surface having a portion forming at least one of a cam and a ramp.

7. The plate system of claim 1, wherein said locking element has a height and a cross section transverse to the height, the transverse cross section of said locking element being non-circular.

8. The plate system of claim 1, wherein said locking element has an upper surface with a minimum transverse cross

sectional dimension and a maximum transverse cross sectional dimension, the minimum transverse cross sectional dimension of said upper surface of said locking element being greater than one-half a width of said plate.

9. The plate system of claim 8, wherein the maximum transverse cross sectional dimension of said upper surface of said locking element is less than one-half the length of said plate.

10. The plate system of claim 1, wherein said plate includes a recess configured to receive at least a portion of said locking element.

11. The plate system of claim 1, wherein said recess includes linear portions parallel to the longitudinal axis of said plate.

12. The plate system of claim 1, wherein said locking element is removably coupled to said plate.

13. The plate system of claim 1, in combination with at least two bone screws each having a central longitudinal axis and being adapted to engage each of the at least two vertebral bodies, respectively, each of said bone screws having a leading end for insertion into the vertebral bodies and a trailing end opposite said leading end.

14. The plate system of claim 1, wherein at least a first pair of said bone screw receiving holes is transversely oriented side-by-side in said plate to overlie the anterior aspect of a cervical vertebral body, said locking element being adapted to cover at least in part a portion of each of said transversely oriented side-by-side bone screw receiving holes.

15. The plate system of claim 1, in combination with a bone graft.

16. The plate system of claim 1, in combination with a bone growth promoting material.

17. The plate system of claim 16, wherein said bone growth promoting material includes at least one of bone, bone morphogenetic protein, hydroxyapatite, and hydroxyapatite tricalcium phosphate.

18. The plate system of claim 1, wherein at least a portion of one of said plate and said locking element is a bioresorbable material.

19. A plate system adapted for application to the anterior human spine and for contacting at least a portion of the anterior aspects of at least two vertebral bodies, said plate system comprising:

a plate having a longitudinal axis and a length sufficient to span a disc space and overlap portions of at least two adjacent vertebral bodies, said plate having a lower surface for placement against the vertebral bodies and an upper surface opposite said lower surface;

at least two bone screw receiving holes extending through said plate from said upper surface through said lower surface, each of said bone screw receiving holes having a central longitudinal axis and being adapted to receive a bone screw to attach said plate to the spine; and

a locking element for preventing the inadvertent backing out of at least two of the bone screws from within said bone screw receiving holes, said locking element being adapted to engage said plate to lock the bone screws without threading into said plate, wherein said locking element is a rivet, and is adapted to move, while engaged to said plate, from a first position which permits the insertion of one of the bone screws into one of said bone screw holes to a second position which prevents the bone screw from backing out of said bone screw hole.

UNITED STATES PATENT AND TRADEMARK OFFICE
CERTIFICATE OF CORRECTION

PATENT NO. : 7,704,255 B2
APPLICATION NO. : 10/883086
DATED : April 27, 2010
INVENTOR(S) : Gary K. Michelson

Page 1 of 1

It is certified that error appears in the above-identified patent and that said Letters Patent is hereby corrected as shown below:

Title Page 2, Column 1:

Reference 2,825,329: change "Ceasar" to -- Caesar --.

Title Page 3, Column 2, Other Publications:

Line 44: change "Advertisment" to -- Advertisement --;
Lines 46 and 47: change "Technical" to -- Technique --;
Line 50: change "Llumbar" to -- Lumbar --; and
Line 51: change "Spreadec; Ccatalog" to -- Spreader; Catalog --.

Title Page 4, Column 1, Other Publications:

Line 70: change "Countinuing" to -- Continuing --.

Title Page 4, Column 2, Other Publications:

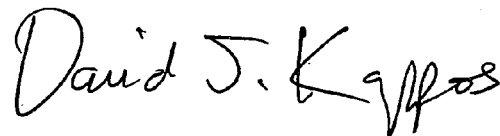
Line 5: change "filed" to -- file --;
Line 15: change "Transmittla" to -- Transmittal --;
Lines 18 and 19: change "Countinuing" to -- Continuing --;
Line 20: change "PTC/SB/08s" to -- PTO/SB/08s --;
Line 33: change "Contintuing" to -- Continuing --;
Line 37: change "Statemant" to -- Statement --; and
Line 41: change "PTO/SBb/08S" to -- PTO/SB/08s --.

Column 30:

Line 12: change "claim 1," to -- claim 10, --.

Signed and Sealed this

Twenty-second Day of June, 2010



David J. Kappos
Director of the United States Patent and Trademark Office

UNITED STATES PATENT AND TRADEMARK OFFICE
CERTIFICATE OF CORRECTION

PATENT NO. : 7,704,255 B2
APPLICATION NO. : 10/883086
DATED : April 27, 2010
INVENTOR(S) : Gary K. Michelson

Page 1 of 1

It is certified that error appears in the above-identified patent and that said Letters Patent is hereby corrected as shown below:

Title Page, Item (73) Assignee:

Change "Warsaw Orthopedic, Inc., Warsaw, IN" to -- Zimmer Spine, Inc., Minneapolis, MN --.

Title Page, Item (56), Page 4, Column 2, Other Publications:

Line 3: change "Allowibility" to -- Allowability --;
Line 43: change "Allowibility" to -- Allowability --; and
Line 50: change "initaled" to -- initialed --.

Signed and Sealed this
Twenty-second Day of February, 2011

A handwritten signature in black ink that reads "David J. Kappos". The signature is written in a cursive style with a large initial "D" and "K".

David J. Kappos
Director of the United States Patent and Trademark Office