



US007011663B2

(12) **United States Patent**  
**Michelson**

(10) **Patent No.:** **US 7,011,663 B2**  
(45) **Date of Patent:** **\*Mar. 14, 2006**

(54) **SURGICAL RONGEUR HAVING A  
REMOVABLE STORAGE MEMBER**

(56) **References Cited**

(75) Inventor: **Gary Karlin Michelson**, Venice, CA  
(US)  
(73) Assignee: **Gary Karlin Michelson**, Los Angeles,  
CA (US)  
(\* ) Notice: Subject to any disclaimer, the term of this  
patent is extended or adjusted under 35  
U.S.C. 154(b) by 0 days.  
  
This patent is subject to a terminal dis-  
claimer.

U.S. PATENT DOCUMENTS

1,127,948 A	2/1915	Wappler
2,984,241 A	5/1961	Carlson
3,628,524 A	12/1971	Jamshidi
3,752,161 A	8/1973	Bent
3,842,839 A	10/1974	Malis et al.
3,902,498 A	9/1975	Niederer
3,949,747 A	4/1976	Hevesy
4,122,856 A	10/1978	Mosior et al.
4,201,213 A	5/1980	Townsend
4,416,278 A	11/1983	Miller
4,662,371 A	5/1987	Whipple et al.
4,722,338 A	2/1988	Wright et al.
4,733,663 A	3/1988	Farley

(21) Appl. No.: **10/765,341**

(22) Filed: **Jan. 27, 2004**

(65) **Prior Publication Data**  
US 2004/0186499 A1 Sep. 23, 2004

**Related U.S. Application Data**  
(63) Continuation of application No. 09/790,008, filed on  
Feb. 21, 2001, now Pat. No. 6,695,849, which is a  
continuation of application No. 08/108,908, filed on  
Aug. 18, 1993, now Pat. No. 6,200,320, which is a  
continuation-in-part of application No. 07/905,127,  
filed on Jun. 24, 1992, now abandoned, which is a  
continuation of application No. 07/398,987, filed on  
Aug. 28, 1989, now abandoned.

(51) **Int. Cl.**  
**A61B 17/32** (2006.01)  
(52) **U.S. Cl.** ..... **606/83; 606/170; 606/184**  
(58) **Field of Classification Search** ..... **606/83,**  
**606/184, 170, 171, 79**  
See application file for complete search history.

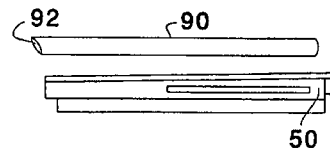
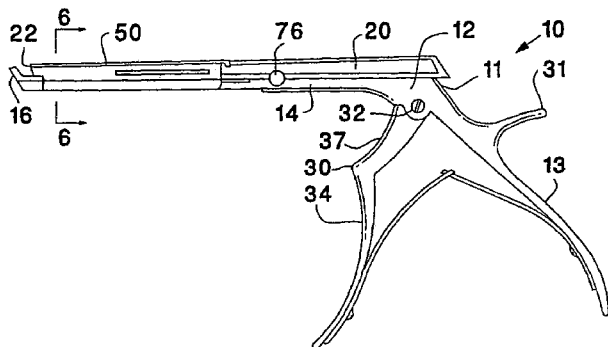
(Continued)  
**FOREIGN PATENT DOCUMENTS**  
DE 85 18 482.9 10/1985

(Continued)  
*Primary Examiner*—Michael Thaler  
(74) *Attorney, Agent, or Firm*—Martin & Ferraro, LLP

(57) **ABSTRACT**

An improved multi-bite bone cutting rongeur with an ultrathin foot plate and a disposable cutting element and storage chamber unit is disclosed. The present invention has an integrated cutting element and storage chamber unit that is truly disposable, rather than merely replaceable. The present invention requires the use of no tools or special assembly. The chamber is simply placed onto the shaft whereby it is immediately locked into place by the use of the instrument.

**15 Claims, 5 Drawing Sheets**



# US 7,011,663 B2

Page 2

---

## U.S. PATENT DOCUMENTS

4,760,848	A	8/1988	Hasson
4,777,948	A	10/1988	Wright
4,990,148	A	2/1991	Worrick, III et al.
5,009,661	A	4/1991	Michelson
5,026,375	A	6/1991	Linovitz et al.
5,061,269	A	10/1991	Muller
5,273,519	A	12/1993	Koros et al.
5,275,607	A	1/1994	Lo et al.

5,451,227	A	9/1995	Michelson
5,653,713	A	8/1997	Michelson
5,702,420	A	12/1997	Sterling et al.
5,782,849	A	7/1998	Miller

## FOREIGN PATENT DOCUMENTS

DE	37 29 513	3/1988
DE	3 709 067	9/1988
EP	0 244 491	11/1987
GB	2 198 950	6/1988

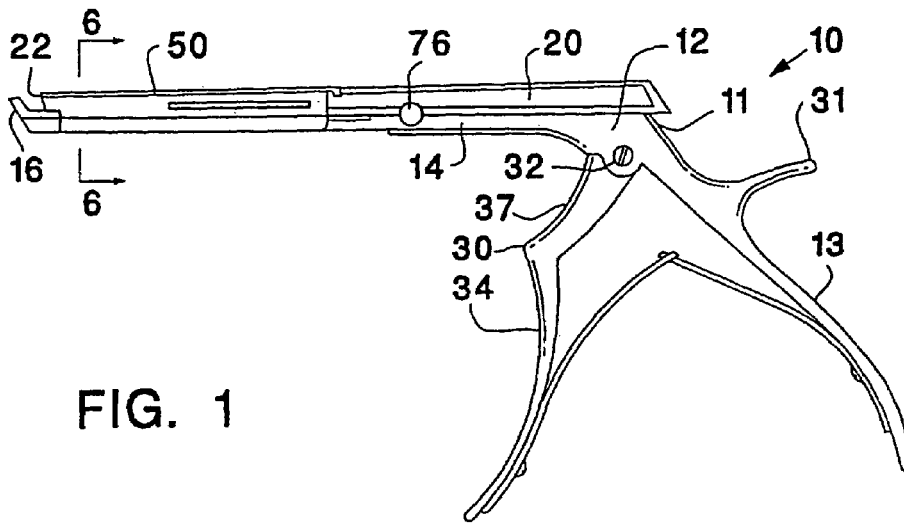
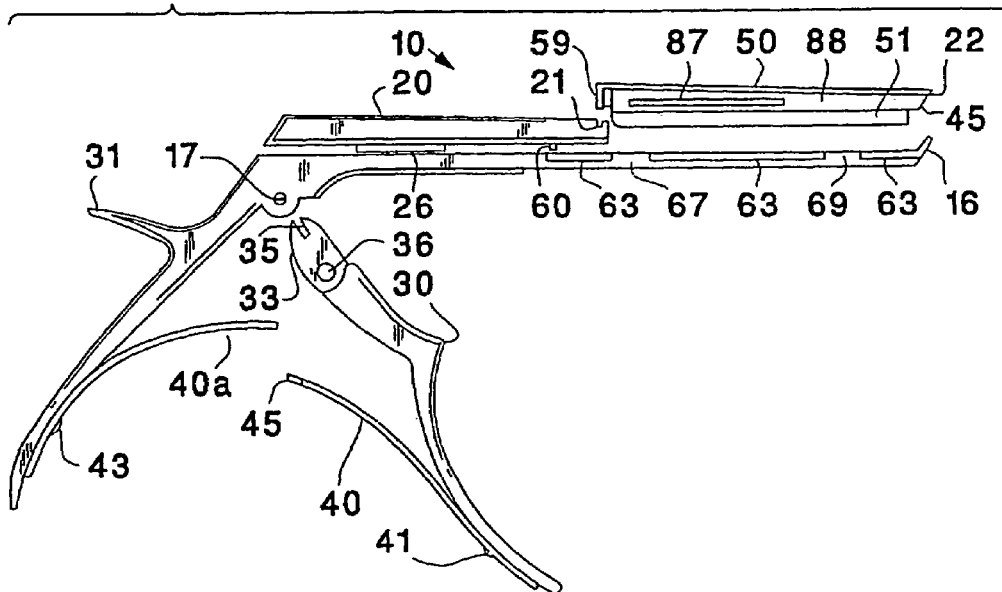
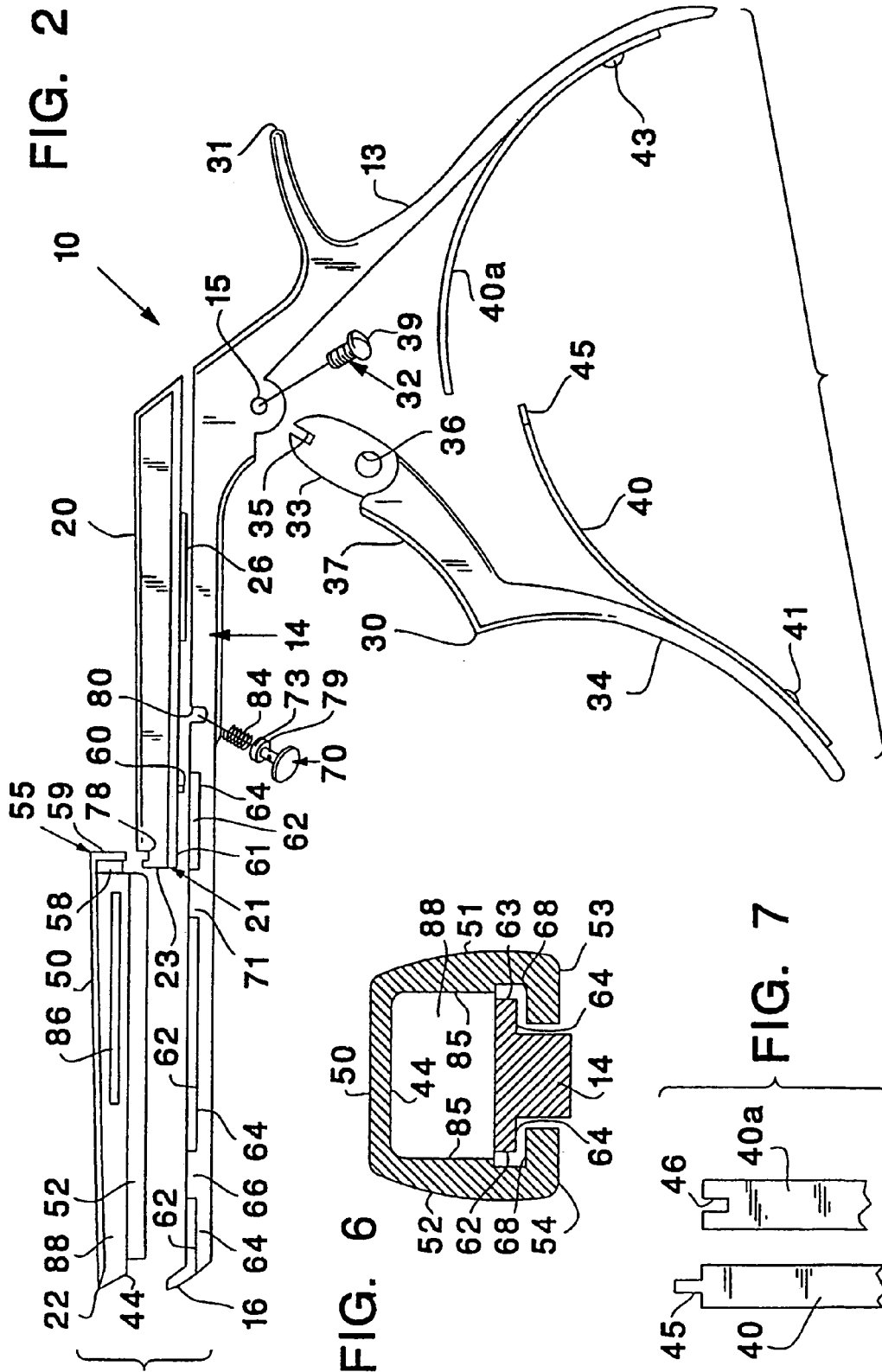


FIG. 1

FIG. 3





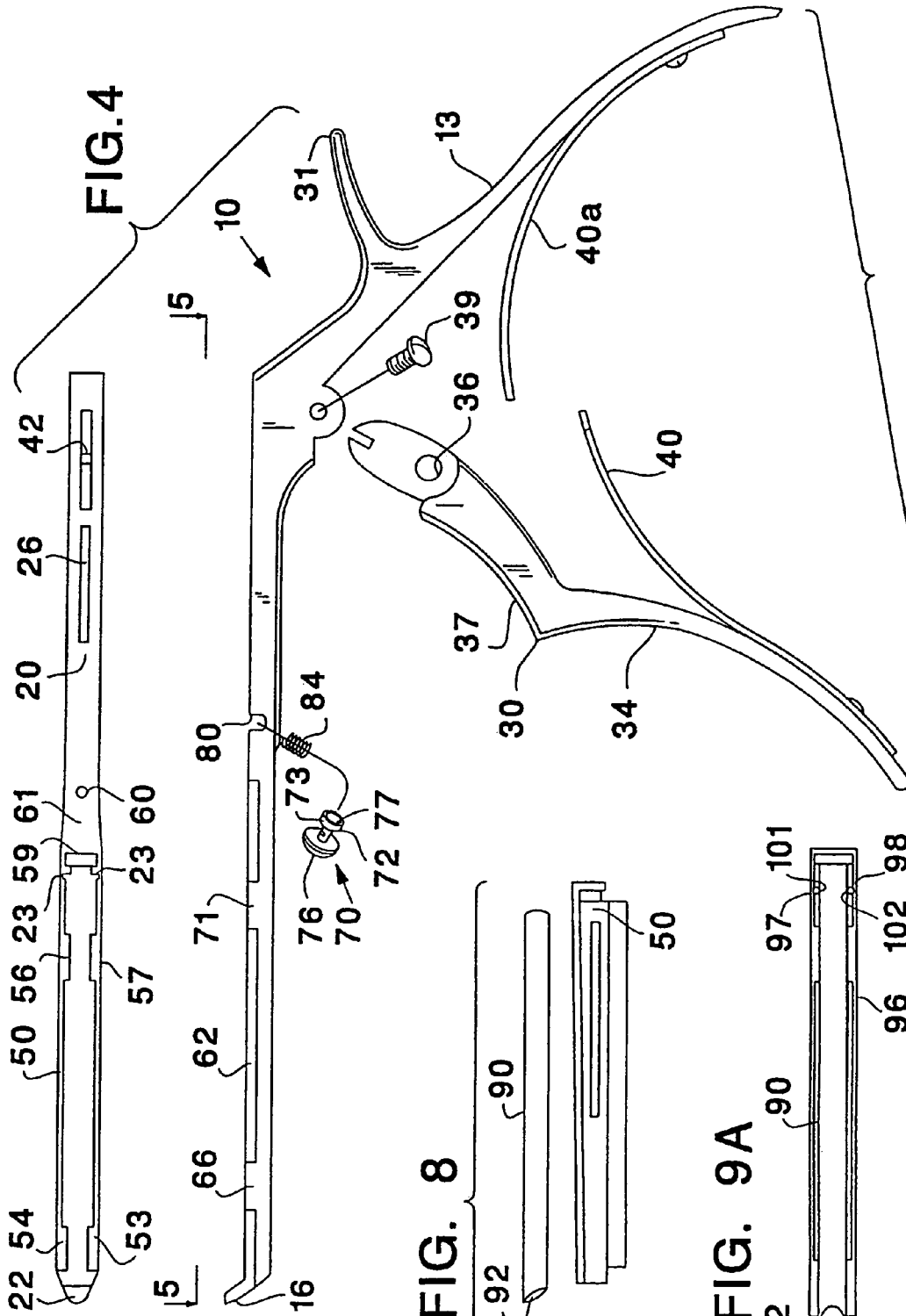


FIG. 4

FIG. 8

FIG. 9A

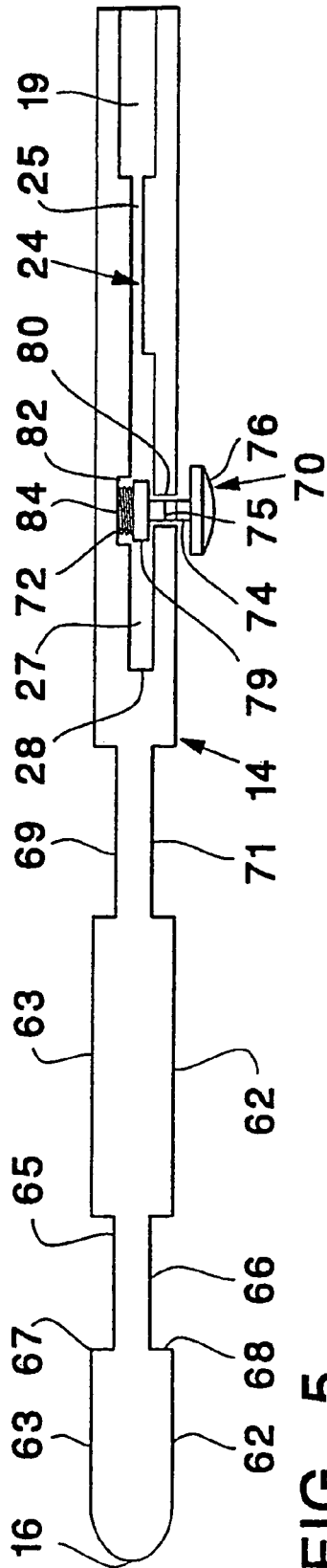


FIG. 5

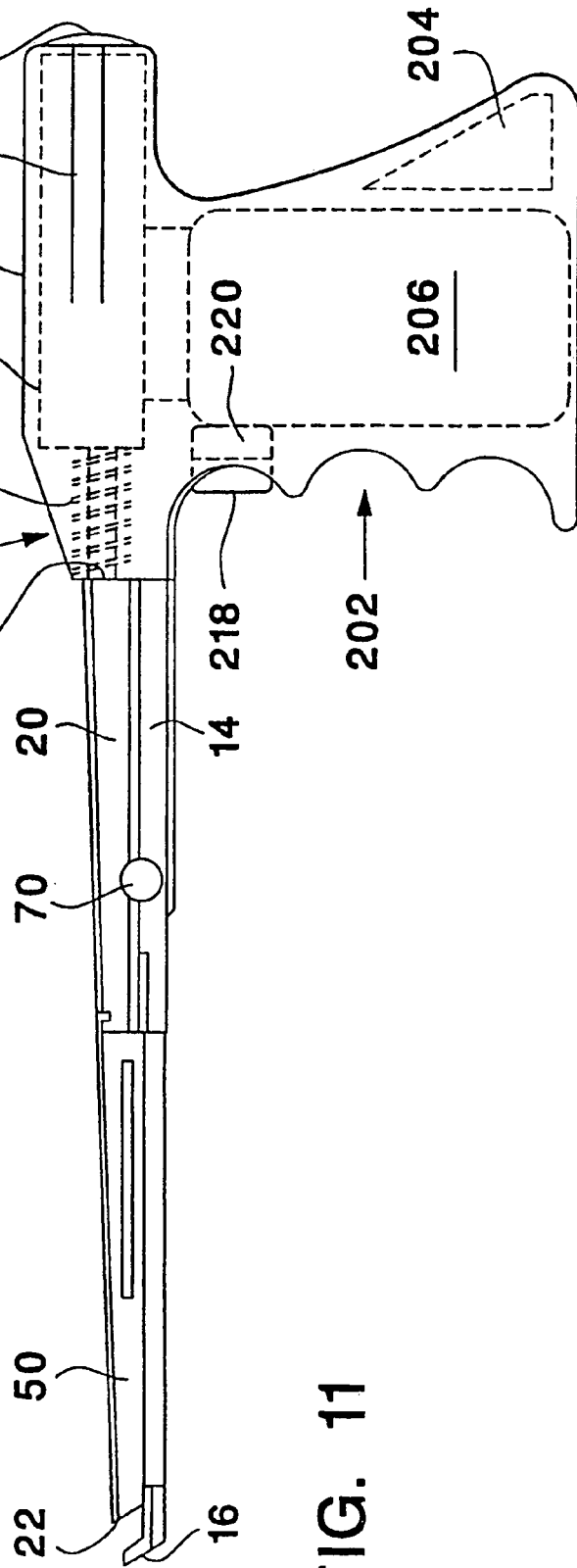
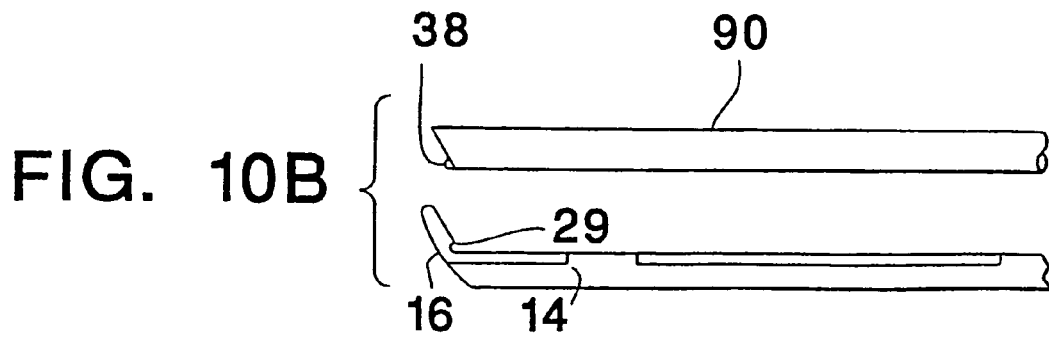
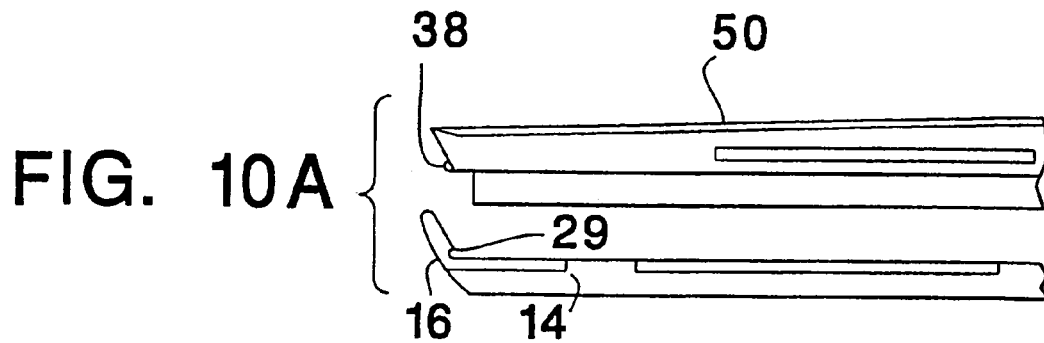
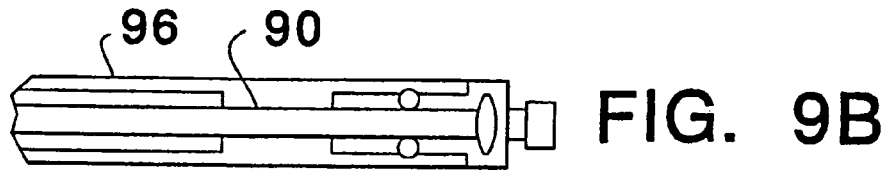


FIG. 11



## SURGICAL RONGEUR HAVING A REMOVABLE STORAGE MEMBER

### BACKGROUND OF THE INVENTION

This application is a continuation of application Ser. No. 09/790,008, filed Feb. 21, 2001 now U.S. Pat. No. 6,695,849; which is a continuation of application Ser. No. 08/108,908, filed Aug. 18, 1993, now U.S. Pat. No. 6,200,320; which is a continuation-in-part of application Ser. No. 07/905,127, filed Jun. 24, 1992, now abandoned; which is a continuation of application Ser. No. 07/398,987, filed Aug. 28, 1989, now abandoned; all of which are incorporated herein by reference.

#### 1. Field of the Invention

This invention relates to surgical instruments, and more particularly to surgical instruments used to bite out or cut portions of bone or cartilage.

#### 2. Description of the Related Art

Rongeurs are surgical instruments for the cutting away of human tissue, and most commonly, cartilage and/or bone. At present there is a need for a rongeur having a less cumbersome and less intrusive foot plate which would make the instrument safer for use in the spinal canal and about the delicate neural structures and extend the range of use of the instrument by allowing it to be used in closer proximity to those same structures.

Attempts have been made in the past to provide a rongeur with a less cumbersome foot plate. For example, U.S. Pat. No. 4,990,148 issued to Worrick, III et al. ("Worrick") on Feb. 5, 1991 teaches a means for allowing a limited reduction of the foot plate thickness by the addition of a groove placed at the junction of the foot plate to the shaft for the purpose of relieving crossed fields of stress. However, the foot plate of Worrick is still internally cupped to maintain a cutting edge, which thus limits any further reduction in the thickness of the foot plate.

Essentially flat foot plates had been in use earlier this century, but proved to be undesirable because spinal bone is markedly compressed during the biting process. When the foot plate is flat, the mass of bone bitten is forcefully compacted into the singularly cupped recess of the movable jaw such that it is extremely difficult to remove that bone after each bite.

At present, there is also a need for a rongeur with a capacity to remain within the wound and to repeatedly bite and to store the bone bitten until all the requisite bone removal has been completed without the need to continuously remove the rongeur from the wound for the purpose of removing the bone from the instrument to clear the cutting edges. A further and related need is for a rongeur that would collect and contain all of the bitten material such that the delicate neural structures would be protected from contact with the bitten material and/or any cogenerated inadvertent debris. In this regard, any rongeur can bite more than once, but not properly. That is, one could deliberately take several small bites, each of which would fail to fill the cup in the foot plate and the singularly cupped recess of the moveable jaw, in lieu of taking one full bite. However, once the cup and the cupped recess are filled further biting is not possible. Bone may be crushed as cups that are already full approach one another, but their contents will shield any further interposed bone from the cutting edges, thus making any further bone cutting impossible.

An example of a multibite rongeur is shown in U.S. Pat. No. 3,902,498 issued to Niederer on Sep. 2, 1975. Niederer teaches the use of a rongeur hollow at the tip such that it is

possible to take several bites. Unfortunately, since the hollow tip is open to the wound at both ends, the further use of the instrument pushes the already bitten material out of the other end of the hollow tip and back into the depths of the surgical wound where it can cause great harm.

Finally, there is also a need for a surgical rongeur that will upon each use present a perfectly formed and razor sharp cutting edge, which will mate exactly, and close completely, to the opposed foot plate. In this regard, Niederer taught the use of a disposable cutting element but not the use of a disposable storage chamber for the cut pieces.

Of note is U.S. Pat. No. 5,026,375 issued to Linovitz et al. on Jun. 25, 1991 which claims a modification of Niederer's teaching wherein the tip is replaceable rather than disposable, in that it requires assembly and is secured with a screw, and wherein the tip has extending from its lower surface an inverted "T" shaped portion made to be inserted into and engage with a correspondingly internally disposed inverted "T" slot within a portion of the instrument shaft.

A further problem with the design of conventional rongeurs limiting further thinning of the foot plate so as to maintain adequate strength is that since the opening of a conventional rongeur is much greater in its capacity than the sum volume of its cuts, in the process of biting with such a rongeur, the bone is not only bitten but is further compacted under tremendous pressure, that pressure being transmitted directly to the foot plate.

Conventional rongeurs by design have excursions beyond that needed to merely close the jaw completely when the rongeur is new. That is because the manufacturer must allow for the wear that will occur at the cutting edges, and yet still provide for the capacity of the instrument to still close fully later. Thus, when bone is bitten with a conventional rongeur, a force considerably greater than that necessary to cut or even compact the bone is additionally transmitted to the foot plate as the slidable member attempts further proximal migration in opposition to the foot plate.

### SUMMARY OF THE INVENTION

The present invention is an ultra-thin foot plate, multi-bite rongeur with an integral storage chamber and cutting element that is replaceable and disposable. The integral storage chamber and cutting element of the present invention is removably locked to a central shaft and is removably engaged to a driving member. The integral storage chamber and cutting element slides along the shaft towards a foot plate at the distal end of the shaft in response to the movement of the driving member which may be hand operated or powered by a solenoid or a pneumatic means.

The ultra-thin foot plate of the present invention is made possible by the complete absence of a cup. The foot plate shaft junction area of the present invention is designed to mitigate the stress concentration of the junction. The foot plate of the present invention need not be as thick as that of a conventional rongeur since the only force applied to it is that sufficient to actually cut the bone being bitten. During use, the integral storage chamber and cutting element is closed at its proximal end and open at its distal end terminating in an ultra-sharp cutting surface. The interior cross sectional area of the storage chamber flares in both height and width from distal to proximal. Inasmuch as the cutting element storage chamber unit is hollow, rather than cupped, and the opposed surface of the foot plate is flat, the bone bitten is always driven rearward into the chamber portion. As the storage chamber is closed while in use except for the



cutting entrance, it may be used to repeatedly bite bone without the danger of the bone bitten coming free and falling into the spinal canal.

When the present invention has completed its task and removed all of the bone as needed, the integral storage chamber and cutting element may be removed from the shaft of the rongeur and the bitten bone may be removed from the storage chamber and made available for use, as in performing a spinal fusion.

The present invention allows for the clean cutting of bone or cartilage without any compaction. Further, as the cutting element of the present invention is disposable and thus always fresh and sharp, less force is required during the actual cutting of the bone. In addition, since the integrated cutting element storage chamber unit is always fresh and sharp, edge wear is not a problem and the capacity for further excursion of the cutting element towards the foot plate is unnecessary and may be completely blocked, thereby sparing damage to the foot plate.

Finally, the present invention has an integrated cutting element and storage chamber unit that is truly disposable, rather than merely replaceable and requires no special assembly or the use of any tools. The integrated cutting element and storage chamber is simply placed onto the shaft whereby it is immediately locked into place by the use of the instrument itself.

#### OBJECTS OF THE PRESENT INVENTION

It is an object of the present invention to provide an improved surgical rongeur capable of making multiple bites or cuts of bone or cartilage without being removed from the wound after each bite or cut.

It is another object of the present invention to provide an improved surgical rongeur capable of storing multiple cut pieces of bone or cartilage while the rongeur is in the wound.

It is yet another object of the present invention to provide an improved surgical rongeur having an integrated cutting element and storage chamber.

It is a further object of the present invention to provide an improved surgical rongeur having an integrated cutting element and storage chamber unit that is easily replaceable and disposable.

It is yet a further object of the present invention to provide an improved surgical rongeur having a replaceable and disposable integrated cutting element and storage chamber unit that does not require the use of tools or special assembly.

It is still a further object of the present invention to provide an improved surgical rongeur having an integrated cutting element and storage chamber unit where the integrated cutting element and storage chamber is simply placed onto the shaft whereby it is immediately locked into place by the use of the instrument.

It is another object of the present invention to provide an improved surgical rongeur with an ultra-thin foot plate that is flat.

It is yet another object of the present invention to provide an improved surgical rongeur that allows for the clean cutting of bone or cartilage without any complication.

These and other objects of the present invention shall be more clear upon review of the following detailed description of the drawings when reviewed in conjunction with the accompanying drawings.

#### BRIEF DESCRIPTION OF THE DRAWINGS

FIG. 1 is a perspective side view of an improved bone rongeur constructed in accordance with the present invention.

FIG. 2 is an exploded first side view of an improved bone rongeur constructed in accordance with the present invention.

FIG. 3 is an exploded second side view of an improved bone rongeur constructed in accordance with the present invention.

FIG. 4 is a bottom plan view of the slide drive member engaged to the cutting/storage member and a side view of the body of the surgical rongeur of the present invention.

FIG. 5 is a top plan view along lines 5—5 of FIG. 4 of the shaft portion of the rongeur of the present invention showing the configuration of the slot and recess.

FIG. 6 is a cross sectional view along lines 6—6 of FIG. 1.

FIG. 7 is a partial schematic view of the spring means for biasing the handle of the rongeur of the present invention.

FIG. 8 is a perspective view of an alternative embodiment of the cutting/storage member of the present invention including a disposable storage and cutting element.

FIGS. 9A and 9B are perspective views of further alternative embodiments of the cutting/storage member of the present invention including a disposable storage and cutting element secured to the bottom portion of a carrier member.

FIGS. 10A and 10B show a partial schematic side view of another alternative embodiments of the foot plate and the cutting/storage member of the present invention.

FIG. 11 is a perspective side view of an alternative embodiment of the present invention showing a power rongeur.

#### DETAILED DESCRIPTION OF THE DRAWINGS

Referring to FIGS. 1–4, the improved surgical bone rongeur 10 is shown constructed in accordance with the present invention and consists generally of a body 12 having a rear handle 13 depending at an angle from the proximal end 11 of the body 12, and has a shaft 14 extending distally and terminating at its distal end in a foot plate 16. A support spike 31 extends from the upper portion of the rear handle 13 as support for the area of the hand between the thumb and the first finger. Mounted on the shaft 14 is a slide drive member 20 for reciprocating movement on the shaft 14. The slide drive member 20 has a pin 42 located at its bottom surface near its proximal end as shown in FIG. 4.

Referring to FIG. 2, a pivoting forward handle 30 includes a lower finger grip portion 34 and an upper finger portion 37 for the fingers. The upper part of the forward handle 30 has an extension 33 with an elongated opening 35 and an aperture 36 through which passes a pivot pin 32. Extension 33 fits into the body 12 through slot 19 (shown in FIG. 5) and is contained within the body 12.

Once the extension 33 is positioned within slot 19, the pivot pin 32, having a screw head 39 on one end and threads at its other end, is used to pivotally attach the forward handle 30 to the body 12. The pivot pin 32 passes through opening 15 in one side of the body 12 through aperture 36 in the forward handle 30 and threads into threaded aperture 17 in the other side of the body 12. The elongated opening 35 of the extension 33 surrounds the pin 42 of slide drive member 20 mounted on the shaft 14 so that the forward handle 30 engages the pin 42 and serves as the driving means for the slide drive member 20. The forward handle 30 is attached to

5

the body 12 at an angle to the slide drive member 20 so that when the forward handle 30 moves proximally the slide drive member 20 moves distally.

The forward handle 30 and the rear handle 13 are biased away from each other by spring means 40 and 40a. Spring means 40 is attached at one end to the bottom of forward handle 30 by screw 41 and spring means 40a has one end attached to the bottom of rear handle 13 by screw 43. In order to interlock the two spring means 40 and 40a, spring means 40 has an extension piece 45 at its upper end that fits into the notch 46 of the upper end of spring means 40a as shown in FIG. 7. Once interlocked, the spring means 40 and 40a oppose each other to bias the forward handle 30 distally. Other spring mechanisms, internal or external, and other biasing means, including pneumatic means, may also be employed for urging the forward handle 30 distally.

Referring to FIGS. 4 and 5, the slide drive member 20 is slidably mounted to the top surface of shaft 14 within a slot 24 formed in the shaft 14 having an inverted T-shaped portion 25 into which is fitted a complementary inverted T-shaped runner 26 depending from the bottom surface of slide drive member 20. Slot 24 extends distally from the inverted T-shaped portion 25 to form a wider portion 27 of the slot 24.

Referring to FIG. 4, a stop pin 60 depends from the distal end 61 of the bottom surface of the slide drive member 20. The stop pin 60 serves to guide the slide drive member 20 to keep the distal end 61 of the slide drive member 20 from sliding off the shaft 14 during the operation of the rongeur 10. The stop pin 60 is set back from the distal end 61 of the slide drive member 20 and fits within the wider portion 27 of slot 24. The wider portion 27 of the slot 24 has a slot wall 28 at its distal end which catches the stop pin 60 and prevents the slide drive member 20 from sliding off the shaft 14 distally.

Referring back to FIG. 2, on one side of the shaft 14 is a rounded aperture 80. The rounded aperture 80 corresponds in location to a recess 82 in the top surface of shaft 14 as shown in FIG. 5. The recess 82 bisects the wider portion 27 of slot 24 and has a rounded bottom surface. Located within the recess 82 and extending from the aperture 80 is a push button assembly 70 having a large diameter, external button portion 76 and a narrow diameter portion 74 that passes through the aperture 80. The narrow diameter portion 74 has a depression 75 with a flat bottom. The narrow diameter portion 74 terminates at its other end in a large diameter member 72 having a slightly smaller diameter than the diameter of the rounded recess 82. The large diameter member 72 has a flattened top surface 73 so that it is flush with the top surface of the shaft 14 when the large diameter member 72 is inserted within the recess 82. The reverse end of the large diameter member 72 has a small depression 77 for receiving the end of a coil spring 84 as shown in FIG. 4.

The large diameter member 72 is placed within the recess 82, so that the narrow diameter portion 74 crosses the wider portion 27 of the slot 24 at a right angle and extends through the rounded aperture 80 and the external button portion 76 is external to the shaft 14. The depression 75 in the narrow diameter portion 74 is of a sufficient depth to permit the stop pin 60 depending from the slide drive member 20 to easily pass through the wider portion 27 of the slot 24 and over the depression 75 unobstructed by the narrow diameter portion 74.

Within the recess 82 is a coil spring 84 having an end that fits within the small depression 77 of the large diameter member 72. The coil spring 84 serves to bias the large diameter member 72 so that in its biased position, the large

6

diameter member 72 blocks the wider portion 27 of slot 24. The large diameter member 72 has a diameter that is sufficient to prevent the stop pin 60 from sliding over it. The external button portion 76 is at its greatest extension out of the rounded opening 80 when the large diameter member 72 is in the biased position and blocks the wider portion 27 of the slot 24. To unblock the wider portion 27 of the slot 24, the user simply presses the external button portion 76 of the button assembly 70 so that the coil spring 84 compresses and the large diameter member 72 moves further into the recess 82. When the large diameter member 72 is positioned as far into the recess 82 as possible the depression 75 of the button assembly 70 is positioned directly beneath the stop pin 60 depending from the bottom surface of the slide drive member 20 so that the stop pin 60 can pass through the wider portion 27 of the slot 24 unobstructed.

It is appreciated that the rounded recess 82 may be placed at various locations along the shaft 14 so that the button assembly 70 contained therein may also be positioned at various locations along the shaft 14 beneath the slide drive member 20. The position of the stop pin 60 depending from the slide drive member 20 may also be changed to correspond to the location of the button assembly 70 and the configuration of the slot 24 and the position of the wider portion 27 may also be modified accordingly without departing from the scope of the present invention. For example, the rounded recess 82 may be positioned along the shaft 14 so that it is located above the opening 15 and the threaded aperture 17 of the body 12. In this position, the button assembly 70 in addition to controlling the displacement of the slide drive member 20 along the shaft 14 could also serve as a hinge and attachment means for the forward handle 30 replacing the pivot pin 39.

As shown in FIG. 5, the shaft 14 has a pair of rails 62,63 extending from either side of the shaft 14 which run parallel to the shaft 14. The rails 62,63 have a bottom flat surface 64 that is perpendicular to the sides of the shaft 14 as shown in FIG. 6. Near the distal end of the shaft 14 are forward notches 65,66 that provide a break in the continuity of the rails 62,63. Positioned proximal to the forward notches 65,66 are rear notches 69,71 which similarly provide a break in the continuity of the rails 62,63.

The distal end 61 of the slide drive member 20 engages a cutting/storage member 50 which is removably attached to both the shaft 14 and to the slide drive member 20. The cutting/storage member 50 has depending sides 51 and 52 which are mirror images of each other. As shown in FIG. 4, near the distal end of the cutting/storage member 50 the depending sides 51,52 each have forward rail-engaging members 53,54 respectively. Forward rail-engaging members 53,54 fit within the forward notches 65,66 of shaft 14. Each of the forward rail-engaging members 53,54 has a top flat surface 68 that is perpendicular to the depending sides 51 and 52 for engaging the bottom flat surface 64 of rails 62,63 as shown in FIG. 6. Once the forward rail-engaging members 53,54 are engaged to the rails 62,63, the cutting/storage member 50 is prevented from sliding upward as it moves along the shaft 14.

Also located on each of the depending sides 51,52 of the cutting/storage member 50 are rear rail-engaging members 56,57 which are sufficiently spaced proximally from the forward rail-engaging members 53,54 so that when the forward rail-engaging members 53,54 are placed over forward notches 65,66, the rear rail-engaging members 56,57 are directly over the rear notches 69,71 in the shaft 14. The rear rail-engaging members 56,57 are identical to the for-

ward rail engaging members 53,54 and similarly each have a top flat surface 68 for engaging the bottom flat surface 64 of rails 62,63.

Referring to FIGS. 2 and 4, the proximal end of the cutting/storage member 50 has a male connection means 55 having grooves 58 on both sides of a key portion 59. The male connection means 55 fits into a female connection means 21 located at the distal end 61 of the slide drive member 20. The female connection means 21 has rails 23 for engaging the grooves 58 of the male connection means 55 and a notched area 78 for receiving the key portion 59. The cutting/storage member 50 may be engaged to the slide drive member 20 by lowering the cutting/storage member 50 toward the slide drive member 20 so that the male and female connection means 55 and 21 slide into each other. To disengage the cutting/storage member 50 from the slide drive member 20, the cutting storage member 50 is simply lifted out. As an alternative, the cutting/storage member 50 may also be attached to the slide drive member 20 in any number of conventional ways, such as by snap fit.

The cutting/storage member 50 is placed on the shaft 14 by aligning the forward rail-engaging members 53,54 with the forward notches 65,66 and by simultaneously aligning the rear rail-engaging members 56,57 with the rear notches 69,71 so that the male connection means 55 slides into and engages the female connection means 21 of the slide drive member 20. In order to properly align the cutting/storage member 50 so that it may engage the shaft 14, the slide drive member 20 must be positioned sufficiently proximal from the foot plate 16.

The range of proximal to distal movement of the slide drive member 20 is controlled by the large diameter member 72 of the button assembly 70. In its biased position, the large diameter member 72 is positioned in the wide portion 27 of slot 24 so that the distal edge 79 of the large diameter member 72 blocks the stop pin 60 and thus the slide drive member 20 from moving proximally along shaft 14. The appropriate position of the slide drive member 20 for attaching the cutting/storage member 50 to the shaft 14 may only be achieved by sliding the stop pin 60 past the position of the distal edge 79 of the large diameter member 72. In order to slide the stop pin 60 past the distal edge 79, the button assembly 70 must be manually depressed toward the shaft 14 so that the large diameter member 72 is pushed into the recess 82 and is moved out of the wide portion 27 of slot 24. As the forward handle 30 is biased forward by the spring means 40 and 40a, the slide drive member 20 is moved proximally along the shaft 14 so that the stop pin 60 is positioned within the depression 75 of the narrow diameter portion 74. With the stop pin 60 positioned within the depression 75, the large diameter member 72 is pushed back within the recess and the coil spring 84 is compressed within the recess 82 of the shaft 14.

Once aligned with the forward and rear notches 65,66 and 69,71 and engaged to the slide drive member 20, the cutting/storage member 50 is in position to be pushed distally along shaft 14 by the slide drive member 20 toward the foot plate 16. This is accomplished by squeezing the forward handle 30 to move the slide drive member 20 and the stop pin 60 distally so that the stop pin 60 is no longer within the depression 75 of the narrow diameter portion 74, and the large diameter member 72 is returned to its biased position by the coil spring 84. As the cutting/storage member 50 is engaged to the slide drive member 20, the movement of the cutting/storage member 50 is responsive to the movement of the slide drive member 20. As the cutting

storage member 50 is moved distally the front and rear rail-engaging members 53,54 and 56,57 engage the rails 62,63.

Once the cutting/storage member 50 engages the rails 62,63 of the shaft 14, it may not be lifted out and the cutting/storage member 50 is locked to the shaft 14. The proximal movement of the slide drive member 20 is stopped by the large diameter member 72 in its biased position which blocks the stop pin 60 from further proximal travel in the wider portion 27 of the slot 24. To remove the cutting/storage member 50 from the shaft 14, the stop pin 60 must be again positioned by the user so that it is within the depression 75 of the narrow diameter portion 74. Thus, the cutting/storage member 50 may be locked or unlocked to the shaft 14 without the use of tools by simply pressing the button assembly 70.

The distal end of the cutting/storage member 50 opens into a storage chamber 88 which is bounded by upper and side walls 44 and 85 which are sharpened to form cutting edges 22 facing the foot plate 16. The depending sides 51,52 of cutting/storage member 50 are recessed from the foot plate 16 for maximum bite since no cutting edge is required at the depending sides 51,52. While the foot plate 16 may have a slight concave depression, it is to be understood that it is preferable substantially flat, with or without a cutting edge.

The storage chamber 88 extends along the interior of the cutting/storage member 50 at least partially toward its proximal end. The cross sectional area of the interior of the storage chamber 88 may be constant or preferably progressively increases from the distal end to the proximal end so that a number of successive bone fragments can more easily slide into the storage chamber 88 and stack up without jamming.

The rongeur 10 of the present invention is used in the conventional manner to bite bone or cartilage. The cut bone fragments are pushed by the foot plate 16, one by one, into a stack within the storage chamber 88 of the removable cutting/storage member 50 after being cut and are not likely to fall back into the wound site because they are forced into the storage chamber 88 with considerable force and are prevented from jamming as the cross sectional area of the interior space of the storage chamber 88 increases from distal to proximal away from the cutting edge 22. Thus, it is not necessary that the cut bone fragments be removed during the surgical procedure, and bite after bite takes place, without the need to remove the rongeur 10 from the wound.

In the preferred embodiment, the side walls 44 and 85 of the cutting/storage member 50 have narrow slits 86,87 partially along the length of the cutting/storage member 50. Once the cutting/storage member 50 is filled with cut pieces of bone, it is removed from the shaft 14 and a stylet or similar instrument may be inserted through the slits 86,87 on either of the side walls 44,85 to aid in the removal of the cut pieces from the storage chamber 88 containing the cut pieces.

Alternatively, the proximal end of the storage chamber 88 of the cutting/storage element 50 may also be open. During use, the distal end 61 of the slide drive member 20 may be used to block the open proximal end of the storage chamber 88. Once the cutting/storage element 50 is removed from the rongeur 10, the proximal end of the storage chamber 88 is open and a stylet may be used to push the cut bone fragments stored within the storage chamber 88 so that the fragments exit from the distal end.

The use of a removable hollow cutting/storage member 50 permits a new sharp cutting edge to be provided for each

operation as it may easily be replaced. Both the storage chamber **88** and the cutting edge **22** could be made of metal or any other suitable material such as ceramic for the edge or a plastic (e.g. polycarbonate) for the storage chamber **88**.

In the preferred embodiment, the rongeur **10** has a body **12** that is approximately  $7\frac{1}{4}$  inches in length; a cutting/storage member **50** that is approximately  $3\frac{1}{4}$  inches in length and approximately  $\frac{7}{8}$  inches in height and approximately  $\frac{3}{8}$  inches in width; a slide drive member **20** that is approximately  $3\frac{1}{16}$  inches in length and approximately  $\frac{7}{8}$  inches in height and approximately  $\frac{3}{8}$  inches in width; a rear handle **13** approximately  $4\frac{7}{8}$  inches in length and a front handle **30** approximately  $4\frac{3}{8}$  inches in length having an extension member **33** that is approximately  $\frac{7}{8}$  inches long; and a button assembly **70** having an overall length of approximately  $\frac{7}{16}$  inches.

In an alternative embodiment of the present invention, the rongeur **10** includes a removable and disposable straw **90** as part of the cutting/storage member **50** as shown in FIG. **8**. Straw **90** is a hollow member in the shape of a cylinder or may have any other shape suitable for use with rongeur **10**. At the distal end of the straw **90** is a sharp cutting edge **92** for cutting bone or other similar tissue. The straw **90** has a diameter that is sufficiently sized so that it may be inserted within the storage chamber **88** of the cutting/storage member **50**. In this embodiment, the distal end of the cutting/storage member **50** is truncated so that the cutting edge **92** at the distal end of straw **90** extends from the chamber **88** and may be used to cut bone or cartilage against the foot plate **16**. In this embodiment, the cutting/storage member **50** is actually a carrier member as the straw **90** does the actual cutting and storing of the bone. Prior to use, the straw **90** is inserted within the storage chamber **88** before the cutting/storage member **50** is placed on the shaft **14**. The hollow chamber **94** of the straw **90** functions to store the cut pieces of bone or cartilage. The stored cut pieces may be removed for future use in the same manner described above for the preferred embodiment.

Straw **90** has an open distal end and a proximal end that may be closed during use of the rongeur. Additionally, straw **90** may have a cross sectional area that increases from its distal end to its proximal end.

In a further alternative embodiment, the straw **90** instead of being inserted within the storage chamber **88** is affixed to the bottom of a modified cutting/storage base **96** as shown in FIGS. **9A** and **9B**. The cutting/storage base **96** is identical in construction to the cutting/storage member **50** but does not have the storage chamber **88** and essentially acts as a housing for carrying the straw **90**. The straw **90** is placed in the bottom of the cutting/storage base **96** prior to placing the cutting/storage base **96** on the shaft **14**. The straw **90** is held in place and is prevented from rotating by pins **97,98** which complement the grooves **101,102** in the straw **90** as shown in FIG. **9A**, and prevent any movement of the straw **90** within the cutting/storage base **96** during the operation of the rongeur. Once the cutting/storage base **96** is removed from the shaft **14**, the straw **90** is easily removable from the cutting/storage base **96**.

The straw **90** is preferably made of metal or any other material which is capable of being sharpened and maintaining a sharp cutting edge **92** for multiple bites by the rongeur **10**. After the straw **90** is used and removed from the rongeur **10**, the cut pieces contained therein are removed and may be used for bone grafting purposes if desired. The relatively low cost of the straw **90** allows the straw **90** to be truly disposable.

As a further alternative embodiment of the rongeur **10**, the intersection of the foot plate **16** and the shaft **14** may have a groove **29** as shown in FIGS. **10A** and **10B** to relieve crossed fields of stress. In this embodiment, the distal end of the cutting/storage member **50** or of a straw **90** has an extension element **38** that complements the shape of the groove **29** and fits within the groove **29**. The extension element **38** may be made of the same material as the cutting/storage member **50** or the straw **90** or may be a flexible material such as plastic. As a result of the angled orientation of the foot plate **16**, when the rongeur is fully closed, the cutting/storage member **50** or the straw **90** tends to be forced up the inclination of the foot plate **16** which may result in damage to the cutting edge **22** or **92**. The combination of the groove **29** and the extension element **38** functions to prevent any further upward excursion of the cutting/storage member **50** or straw **90** and thus prevents additional force from being applied to the foot plate **16** and prevents any possible damage to the cutting surfaces of the rongeur **10**.

The operation of the rongeur **10** of the present invention is as follows:

The rongeur **10** is set in the "release position" by positioning the stop pin **60** within the depression **75** of the narrow diameter portion **74** of the button assembly **70**. This is accomplished by manually pressing the external button portion **76** of the button assembly **70** so that the large diameter member **72** moves out of the wider portion **27** of the slot **24** to compress the coil spring **84**. The stop pin **60** may now freely pass by the position of the distal edge **79** of the large diameter member **72** and to fit within the depression **75**. As the spring means **40** and **40a** bias the forward handle **30** distally, the slide drive member **20** moves toward the foot plate **16**. With the stop pin **60** positioned within the depression **75**, the coil spring **84** is kept compressed within the recess **82**.

In the release position, the slide drive member **20** is positioned so that the cutting/storage member **50** may be easily placed on the shaft **14**. In the release position, the forward rail-engaging members **53,54** are aligned with the forward notches **65,66** and the rear rail-engaging members **56,57** are aligned with the rear notches **69,71**. Once aligned, the cutting/storage member **50** is positioned to easily engage the slide drive member **20** so that the male and female connector means **55** and **21** mate and the cutting/storage member **50** rests upon the shaft **14**.

Once the cutting/storage member **50** is engaged to the slide drive member **20**, the forward handle **30** is squeezed by the user to advance the slide drive member **20** so that the stop pin **60** exits from within the depression **75** and the large diameter member **72** is returned by the coil spring **84** to its biased position to block the wider portion **27** of the slot **24**. With the large diameter member **72** in this position, the stop pin **60** is stopped from any further proximal movement past the distal edge **79** of the large diameter member **72** thereby preventing any further proximal movement of the slide drive member **20** past the large diameter member **72**. With the slide drive member **20** in this position, the forward and rear rail engaging members **53,54** and **56,57** are engaged to the rails **62,63** and are no longer aligned with the forward and rear notches **65,66** and **69,71**. Therefore, the cutting/storage member **50** is securely locked to the shaft **14** and may not be removed from the shaft **14**.

With the cutting/storage member **20** in the locked position on the shaft **14**, the rongeur **10** may be placed in the wound and used to take multiple bites or cuts of the selected tissue with the cut pieces being stored within the storage chamber

## 11

88 of the cutting/storage element 50. Once the desired number of bites has been attained or if the storage chamber 88 becomes filled, the rongeur 10 is removed from the wound. The cutting/storage member 50 is removed from the shaft 14 of the rongeur by returning the rongeur to the release position by pressing the external button portion 76 as described above, so that the forward and rear rail-engaging members 52,54 and 56,57 are once again aligned with the forward and rear notches 65,66 and 69,71 and no longer engage the rails 62,63. The cutting/storage member 50 is then easily lifted up and away from the shaft 14.

The cut pieces may be removed from the storage chamber 88 by inserting a stylet in the slits 86,87 in the side walls 44,45 of the cutting/storage member 50 and pushing the cut pieces out from the chamber. If an alternative embodiment of the cutting/storage element 50 is used where the proximal end of the storage chamber 88 is closed only during use, the cut pieces may be pushed out of either end of the storage chamber 88. Similarly, if a disposable straw 90 is used, the cut pieces contained within the straw 90 may be removed by using a stylet to push the cut pieces out of either the proximal or the distal end of the straw 90 which are both open when not in use.

While the preferred embodiment of the present invention is a hand powered instrument, the use of alternative power sources such as electricity, battery supply, pneumatic, or other power sources can be employed.

In a powered rongeur, the finger grip of the rongeur can then be devoted to turning on and off the power supply source to drive the instrument. If gas or other fluid is used, a pressure relief valve is preferably incorporated within the fluid line to establish a limit pressure, which may be set to the maximum desired biting force to be delivered.

Referring to FIG. 11, a powered rongeur 200 is shown. The grip 202 is adapted for receipt of the electronic circuitry 204 and the rechargeable battery pack 206. A cover (not shown) holds the battery pack 206 within the grip 202.

Above the grip 202, is a housing 208 containing a wire coil 210 that surrounds a reciprocating rod 212. The rod 212 is connected at one end 214 to the slide drive member 20. The rod 212 is spring biased by a strong spring 216 in the proximal direction. Whereby, upon activation of the trigger 218 which closes switch 220, the rod 212 is driven forward driving the slide drive member 20 and the cutting/storage member 50 toward the foot plate 16. The speed of the rod 212 would result in additional cutting force, due to the momentum of the slide drive member 20. As a safety precaution, the momentum at which the rod 212 is driven forward may be set to a desired rate so that excessive force is not exerted on the cutting edge 22 and the foot plate 16. For example, the momentum generated by the coil 210 and the rod 212 may be set at a desired rate for cutting bone or cartilage so that the rongeur 200 will not bite a hard object, such as a metal pin, which requires a greater momentum to cut and would damage the foot plate 16 and the cutting edge 22.

Pulling of the trigger 218 closes the switch 220 to cause one closing and opening of the rongeur 200. For a second closing operation, the trigger 218 must be released and then depressed again in order to close switch 220 once again.

The rear portion of the housing 208 can be opened for access to the compartment by the removal of cap 222. Prior to sterilization, the cap 222 and the coil 210 can be removed from the housing 208. The rongeur 200 can be sterilized by heat upon removal of the coil 210 and the battery pack 206. Alternatively, the device can be cold gas sterilized or irradiated.

## 12

The rod 212 can be adjustable along the longitudinal axis, either by threads or other means, so that it can be moved forward if necessary. Also, a safety mechanism for preventing activation of the switch 220, well known in electrically operated devices, can be included. This could consist of a mechanical interference between the trigger and the switch to prevent activation of the switch 220.

In use, the surgeon would insert the rongeur 200 around the lamina to be cut and the trigger 218 would be pulled. The pulling of the trigger would cause the slide drive member 20 and the cutting/storage member 50 to be driven forward to close against the foot plate 16 cutting the bone, and then automatically returned to the original open position. Releasing the trigger 214 would permit the cutting/storage element 50 to return to its open position. The surgeon would then move the rongeur 200, without removing the rongeur 200 from the wound, to a new area for biting the bone, again activating the trigger and causing the rongeur to close. The device could be programmed to close at a predetermined rate, so that it would automatically open and close. After completion of the cutting procedure the rongeur 200 would be removed and the cutting/storage member 50 removed and replaced in the same manner described above for the manual rongeur 10.

While the present invention has been described in association with the preferred embodiment, it is recognized that other variations of the present invention may be made without departing from the scope of the present invention.

What is claimed is:

1. A rongeur for cutting bone or cartilage, comprising:
  - a shaft terminating in a foot plate;
  - a carrier member in slidable relationship to said shaft, said carrier member having a leading end, a trailing end opposite said leading end, and an open interior, said leading end having an opening in communication with said open interior;
  - a tubular member configured to be removably inserted at least in part into said open interior of said carrier member, said tubular member having an open end with a cutting edge adapted to contact said foot plate and cut pieces of bone or cartilage, said tubular member having a storage area proximate said cutting edge in communication with said open end, said storage area configured to collect and store at least one cut piece of bone or cartilage, said shaft being in slidable relationship with said carrier member without passing through said tubular member when said tubular member is inserted at least in part into said open interior of said carrier member; and
  - a mechanism for providing reciprocal motion of said carrier member and said shaft relative to one another.
2. The rongeur of claim 1, wherein said carrier member is removably coupled to at least a portion of said shaft.
3. The rongeur of claim 2, further comprising a lock for slidably locking said carrier member to said shaft.
4. The rongeur of claim 1, wherein said storage area increases in cross sectional area at least in part from said leading end to said trailing end of said carrier member.
5. The rongeur of claim 1, wherein said tubular member includes a second opening in communication with said storage area, said second opening adapted to be closed by a portion of said rongeur when in use.
6. The rongeur of claim 1, wherein said carrier member includes at least a portion thereof that is replaceable.

**13**

7. The rongeur of claim 1, wherein said tubular member is disposable.

8. The rongeur of claim 1, wherein said tubular member is configured to store multiple cut pieces of bone or cartilage.

9. The rongeur of claim 1, wherein said mechanism includes a handle for providing said reciprocal motion of said carrier member and said shaft relative to one another.

10. The rongeur of claim 1, wherein said carrier member is configured to be operatively coupled to at least one of a portion of said shaft and said mechanism.

11. The rongeur of claim 10, wherein said tubular member is configured to hold the cut pieces of bone or cartilage upon uncoupling from at least one of said shaft and said mechanism.

**14**

12. The rongeur of claim 1, wherein said carrier member is configured to prevent any of the cut pieces of bone or cartilage stored in said storage area from being ejected from said storage area while said rongeur is being used to cut the bone or cartilage.

13. The rongeur of claim 1, wherein said tubular member comprises a metal.

14. The rongeur of claim 1, wherein said tubular member extends from said carrier member when in use.

15. The rongeur of claim 1, wherein said tubular member includes at least one groove configured to engage a portion of said carrier member to hold said tubular member to said carrier member.

\* \* \* \* \*

UNITED STATES PATENT AND TRADEMARK OFFICE  
**CERTIFICATE OF CORRECTION**

PATENT NO. : 7,011,663 B2  
DATED : March 14, 2006  
INVENTOR(S) : Gary Karlin Michelson

Page 1 of 1


It is certified that error appears in the above-identified patent and that said Letters Patent is hereby corrected as shown below:

Column 13,

Line 12, change "sad" to -- said --.

Signed and Sealed this

Thirtieth Day of May, 2006

A handwritten signature in black ink on a light gray dotted background. The signature reads "Jon W. Dudas" in a cursive style.

JON W. DUDAS

*Director of the United States Patent and Trademark Office*