



US007288093B2

(12) **United States Patent**
Michelson

(10) **Patent No.:** **US 7,288,093 B2**
(45) **Date of Patent:** **Oct. 30, 2007**

(54) **SPINAL FUSION IMPLANT HAVING A CURVED END**

(75) Inventor: **Gary Karlin Michelson**, Venice, CA (US)

(73) Assignee: **Warsaw Orthopedic, Inc.**, Warsaw, IN (US)

(*) Notice: Subject to any disclaimer, the term of this patent is extended or adjusted under 35 U.S.C. 154(b) by 593 days.

(21) Appl. No.: **10/291,152**

(22) Filed: **Nov. 8, 2002**

(65) **Prior Publication Data**

US 2003/0065394 A1 Apr. 3, 2003

Related U.S. Application Data

(60) Continuation of application No. 08/480,684, filed on Jun. 7, 1995, which is a division of application No. 07/968,240, filed on Oct. 29, 1992, now Pat. No. 5,741,253, which is a continuation of application No. 07/698,674, filed on May 10, 1991, now abandoned, which is a division of application No. 07/205,935, filed on Jun. 13, 1988, now Pat. No. 5,015,247.

(51) **Int. Cl.**
A61B 17/56 (2006.01)

(52) **U.S. Cl.** **606/60; 606/61; 623/17.1**

(58) **Field of Classification Search** **606/60-61; 623/17.1**

See application file for complete search history.

(56) **References Cited**

U.S. PATENT DOCUMENTS

2,243,718 A 5/1941 Moreira

| | | |
|-------------|---------|-----------------|
| 2,537,070 A | 1/1951 | Longfellow |
| 2,543,780 A | 3/1951 | Hipps et al. |
| 3,128,768 A | 4/1964 | Geistauts |
| 3,298,372 A | 1/1967 | Feinberg et al. |
| 3,426,364 A | 2/1969 | Lumb |
| 3,486,505 A | 12/1969 | Morrison |
| 3,604,487 A | 9/1971 | Gilbert |
| 3,719,186 A | 3/1973 | Merig, Jr. |
| 3,848,601 A | 11/1974 | Ma et al. |
| 3,867,728 A | 2/1975 | Stubstad et al. |
| 3,875,595 A | 4/1975 | Froning |
| 3,892,232 A | 7/1975 | Neufeld |
| 3,905,047 A | 9/1975 | Long |
| 4,016,651 A | 4/1977 | Kawahara et al. |
| 4,051,905 A | 10/1977 | Kleine |
| 4,059,115 A | 11/1977 | Jumashev et al. |
| 4,070,514 A | 1/1978 | Entherly et al. |

(Continued)

FOREIGN PATENT DOCUMENTS

DE 1961531 7/1970

(Continued)

OTHER PUBLICATIONS

Bagby, George W.; Wobbler Syndrome in Horses (the Ataxic Horse); Spokane County Medical Society Bulletin; Spring 1979.

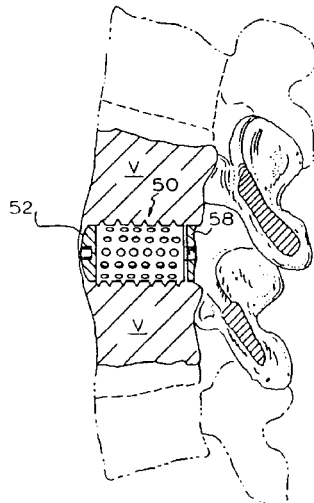
(Continued)

Primary Examiner—Michael A. Brown
(74) *Attorney, Agent, or Firm*—Martin & Ferraro, LLP

(57) **ABSTRACT**

An artificial spinal implant is disclosed which when placed between two adjacent vertebrae directly participates and is incorporated in the ensuing fusion. Instrumentation and procedure is also disclosed.

63 Claims, 7 Drawing Sheets



U.S. PATENT DOCUMENTS

| | | | | |
|-----------|-----|---------|-----------------------------|-----------|
| 4,086,701 | A | 5/1978 | Kawahara et al. | |
| 4,124,026 | A | 11/1978 | Berner et al. | |
| 4,175,555 | A | 11/1979 | Herbert | |
| 4,177,524 | A | 12/1979 | Grell et al. | |
| 4,181,457 | A | 1/1980 | Holmes | |
| D257,511 | S | 11/1980 | Zahn | |
| 4,259,072 | A | 3/1981 | Hirabayashi et al. | |
| 4,262,369 | A | 4/1981 | Roux | |
| D260,525 | S | 9/1981 | Lassiter | |
| 4,289,123 | A | 9/1981 | Dunn | |
| 4,293,962 | A | 10/1981 | Fuson | |
| 4,309,777 | A | 1/1982 | Patil | |
| 4,315,340 | A * | 2/1982 | Veldman | 470/9 |
| 4,328,593 | A | 5/1982 | Sutter et al. | |
| 4,332,036 | A | 6/1982 | Sutter et al. | |
| 4,341,206 | A | 7/1982 | Perrett et al. | |
| 4,349,921 | A * | 9/1982 | Kuntz | 623/17.16 |
| 4,356,572 | A | 11/1982 | Guillemin et al. | |
| 4,401,112 | A | 8/1983 | Rezaian | |
| 4,423,721 | A | 1/1984 | Otte et al. | |
| 4,484,570 | A | 11/1984 | Sutter et al. | |
| 4,501,269 | A * | 2/1985 | Bagby | 606/61 |
| RE31,865 | E | 4/1985 | Roux | |
| 4,545,374 | A | 10/1985 | Jacobson | |
| 4,553,273 | A | 11/1985 | Wu | |
| 4,554,914 | A | 11/1985 | Kapp et al. | |
| 4,570,624 | A | 2/1986 | Wu | |
| 4,599,086 | A | 7/1986 | Doty | |
| 4,636,217 | A | 1/1987 | Ogilvie et al. | |
| 4,653,486 | A | 3/1987 | Coker | |
| 4,657,550 | A | 4/1987 | Daher | |
| 4,664,567 | A | 5/1987 | Edwards | |
| 4,710,075 | A | 12/1987 | Davison | |
| 4,713,004 | A | 12/1987 | Linkow et al. | |
| 4,714,469 | A | 12/1987 | Kenna | |
| 4,736,738 | A | 4/1988 | Lipovesek et al. | |
| 4,743,256 | A | 5/1988 | Brantigan | |
| 4,743,260 | A | 5/1988 | Burton | |
| 4,763,644 | A | 8/1988 | Webb | |
| 4,790,303 | A | 12/1988 | Steffee | |
| 4,805,602 | A | 2/1989 | Puno et al. | |
| 4,820,305 | A | 4/1989 | Harms et al. | |
| 4,834,757 | A | 5/1989 | Brantigan | |
| 4,848,327 | A | 7/1989 | Perdue | |
| 4,863,476 | A | 9/1989 | Shepperd | |
| 4,863,477 | A | 9/1989 | Monson | |
| 4,877,020 | A | 10/1989 | Vich | |
| 4,878,915 | A * | 11/1989 | Brantigan | 623/17.11 |
| 4,904,260 | A | 2/1990 | Ray et al. | |
| 4,904,261 | A | 2/1990 | Dove et al. | |
| 4,936,848 | A | 6/1990 | Bagby | |
| 4,955,908 | A | 9/1990 | Frey et al. | |
| 5,015,247 | A | 5/1991 | Michelson | |
| 5,084,050 | A | 1/1992 | Draenert | |
| 6,019,760 | A * | 2/2000 | Metz-Stavenhagen et al. ... | 606/61 |
| 6,149,650 | A | 11/2000 | Michelson | |
| 6,264,656 | B1 | 7/2001 | Michelson | |

| | | |
|----|-------------|---------|
| GB | 1291470 | 10/1972 |
| WO | WO 86/03666 | 7/1986 |
| WO | WO 88/03781 | 6/1988 |

OTHER PUBLICATIONS

Albrektsson, T., et al.; Osseointegrated Titanium Implants; Acta Orthop. Scand.; vol. 52:155-170 (1981).

Raveh, J., et al.; Neue Rekonstruktionsmöglichkeiten des Unterkiefers bei knöchernen Defekten nach Tumorsektionen; Der Chirurg vol. 53:459-467 (1982).

DeBowes, R.M., et al.; Study of Bovine . . . Steel Baskets; Transactions of the 29th Annual Meeting; Orthopaedic Research Society, vol. 8, p. 407, (Mar. 8-10, 1983).

Brandt, L., et al.; A Dowel Insert for Anterior Cervical Interbody Fusion; J. Neurosurg. 61:793-794 (Oct. 1984).

Raveh, J., et al.; Use of the Titanium-coated Hollow Screw and Reconstruction Plate System in Bridging of Lower Jaw Defects; J. Oral Maxillofac Surg. 42:281-294 (1984).

Otero-Vich, Jose M.; Anterior Cervical Interbody Fusion with Threaded Cylindrical Bone; J. Neurosurg 63:750-753 (Nov. 1985).

Morscher, E., et al.; Die vordere Verplattung der Halswirbelsäule mit dem Hohltschrauben-Plattensystem aus Titanium, *Der Chirurg*, vol. 57, pp. 702-707 (1986) with English Translation.

Bagby, G.W.; Basket Implant Facilitates Spinal Fusion; Orthopedics Today, vol. 7, No. 10, (Oct. 1987).

Butts, M. K., et al.; Biomechanical Analysis of a New Method for Spinal Interbody Fixation; 1987 Symposium, American Society of Mechanical Engineers, "Advances in Bioengineering", Boston, MA (Dec. 13-18, 1987).

Crawley et al.; A Modified Cloward's Technique for Arthrodesis of the Normal Metacarpophalangeal Joint in the Horse; Veterinary Surgery, vol. 17, No. 3, pp. 117-127 (1988).

Raveh, J., et al.; Surgical Procedures for Reconstruction of the Lower Jaw Using the Titanium-Coated Hollow-Screw Reconstruction Plate System: Bridging of Defects; Otolaryngologic Clinics of North America; vol. 20, No. 3 (Aug. 1987).

Goldthwaite, N., et al.; Toward Percutaneous Spine Fusion; Ch. 45; Lumbar Spine Surgery; C.V. Mosby Company, pp. 512-522 (1987).

Bagby, G.W.; Arthrodesis by the Distraction-Compression Method Using a Stainless Steel Implant; Orthopedics, vol. II, No. 6, pp. 931-934 (Jun. 1987).

Itoman, M., et al.; Banked Bone Grafting for Bone Defect Repair—Clinical Evaluation of Bone Union and Graft Incorporation; J. Jpn. Orthop. Assoc. 62:461-469 (1988).

Cloward, Ralph B.; Surgical Techniques for Lumbar Disc Lesions; Codman; Signature Serial 3.

Cloward, Ralph B.; Ruptured Cervical Intervertebral Discs: Removal of Disc & Osteophytes & Anterior Cervical Interbody Fusion (A.C.I.F.); Codman; Signature Series 4.

Cloward, Ralph B.; Recent Advances in Surgery of the Cervical Spine; pp. 285-293; German Society For Neurosurgery; vol. 2 Cervical Spine Operations; Excerpta Medica.

Hutter, Charles George; Spinal Stenosis and Posterior Lumbar Interbody Fusion; pp. 103-114; Clinical Orthopaedics and Related Research; No. 193; The Association of Bone and Joint Surgeons.

Lin, Paul M.; Posterior Lumbar Interbody Fusion; pp. 114-122; Charles C. Thomas; Springfield, Illinois.

Muller, M.E.; Manual of Internal Fixation: Techniques Recommended by the AO Group; Second Edition, Expanded and Revised; pp. 3-20, 27-41, 53-58, 71-78, 94, 311, 320; Springer-Verlag; 1979.

Hierholzer, G.; Manual on the AO/ASIF Tubular External Fixator; pp. 85-91; Springer-Verlag; 1985.

Heim, Urs; Small Fragment Set Manual: Technique Recommended by the ASIF-Group; pp. 5-7, 10, 20, 21, 30; Springer-Verlag; 1974.

Harmon, Paul H.; Anterior Excision and Vertebral Body Fusion Operation for Intervertebral Disk Syndromes of the Lower Lumbar Spine: Three- to Five-Year Results in 244 Cases; pp. 107-127; Clinical Orthopaedics and Related Research, No. 26, J.B. Lippincott Company, 1963.

Harmon, Paul H.; A Simplified Surgical Technic for Anterior Lumbar Discectomy and Fusion; Avoidance of Complications;

FOREIGN PATENT DOCUMENTS

| | | |
|----|--------------|---------|
| DE | 26 21 384 | 11/1977 |
| DE | 31 01 333 | 12/1981 |
| DE | 31 32 520 | 6/1982 |
| DE | 35 05 567 A1 | 6/1986 |
| EP | 0 077 159 | 4/1983 |
| EP | 0 260 044 | 3/1988 |
| EP | 0 307241 | 3/1989 |
| EP | 0 268 115 | 4/1989 |
| ES | 283078 | 5/1985 |
| FR | 2581336 | 11/1986 |

Anatomy of the Retroperitoneal Veins; pp. 130-143; Clinical Orthopaedics and Related Research, No. 37, J.B. Lippincott Company, 1964.

Bullough, Peter G.; Atlas of Spinal Diseases; Figure 5.7; J.B. Lippincott Company; 1988.

Arnold, David M.; State of the Art Reviews: Pedicle Fixation of the Lumbar Spine; pp. 176-200, Hanley & Belfus, Inc., 1992.

North American Spine Society Second Annual Meeting, Jun. 25-28, 1987.

Cloward, Ralph B.; The Treatment of Ruptured Lumbar Intervertebral Discs by Vertebral Body Fusion; J Neurosurg. 10; pp. 154-167; 1953.

Morscher, E. et al.; The Anterior Plating of the Cervical Spine with the Titanium Hollow Screw System; Surgeon 57; 702-707; 1986.

White, Arthur H.; Lumbar Spine Surgery: Some Opinions of General Orthopedists and Superspecialists; pp. 11-15; 27; 30; 35-45; 265-268; 1987.

* cited by examiner

FIG. 1A

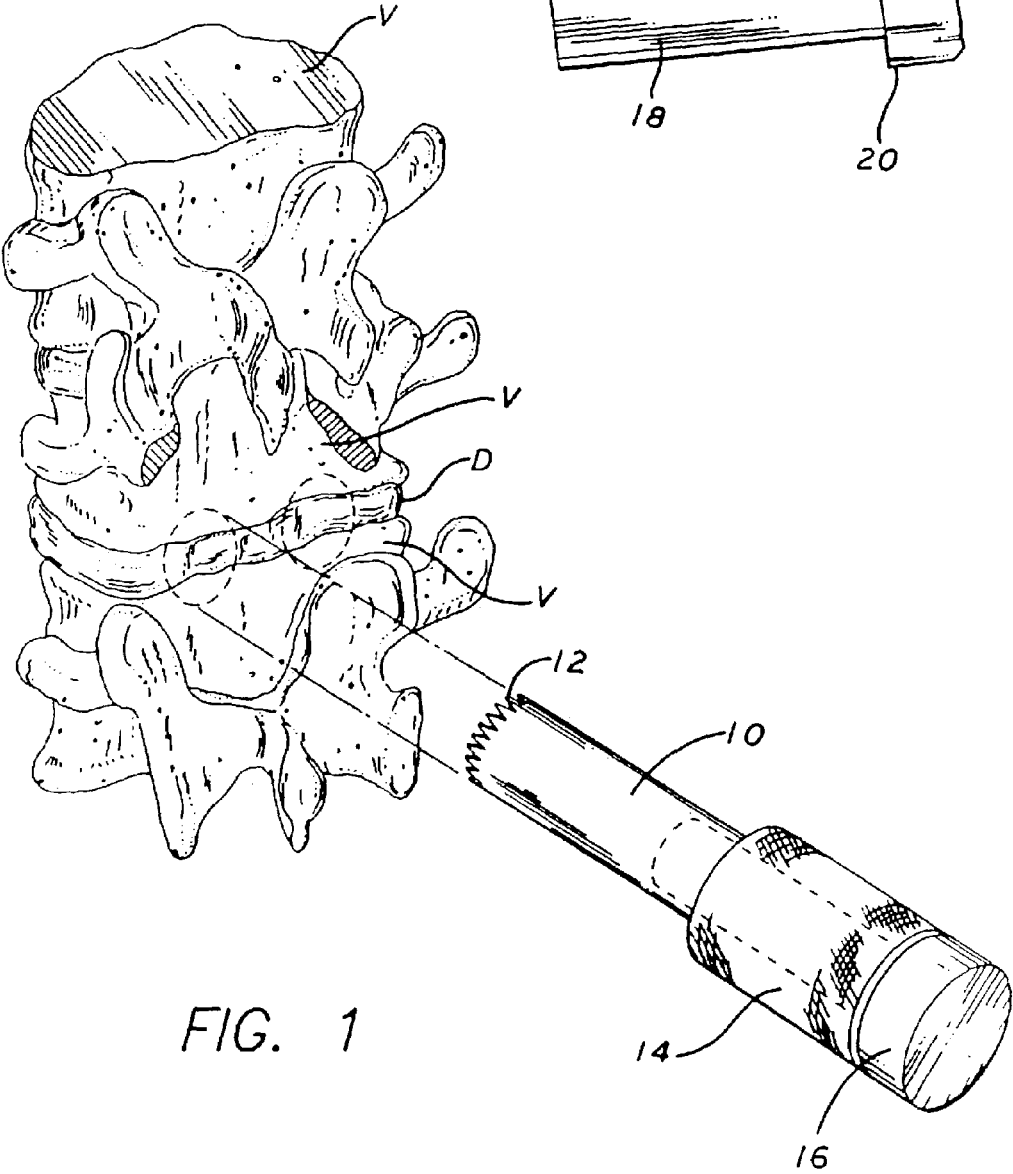
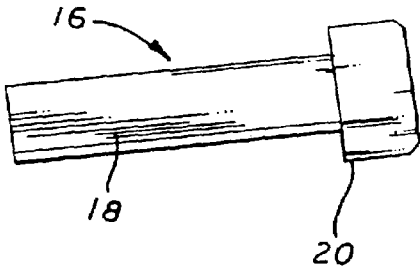
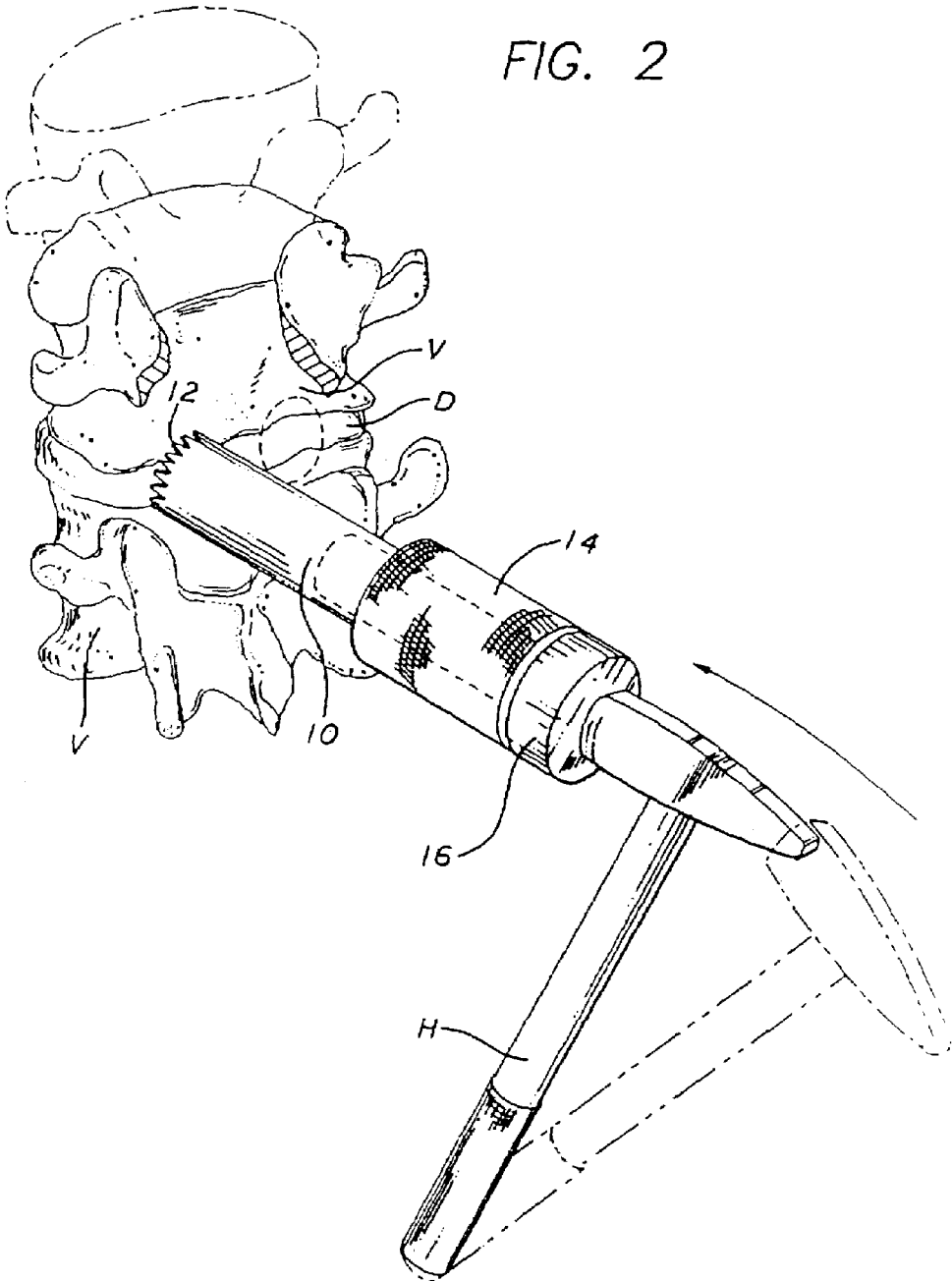
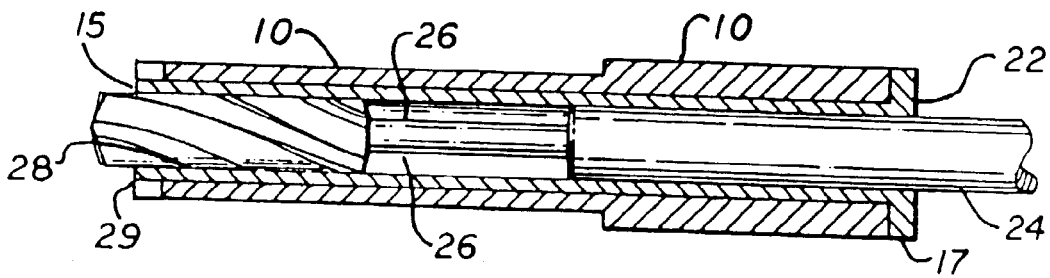
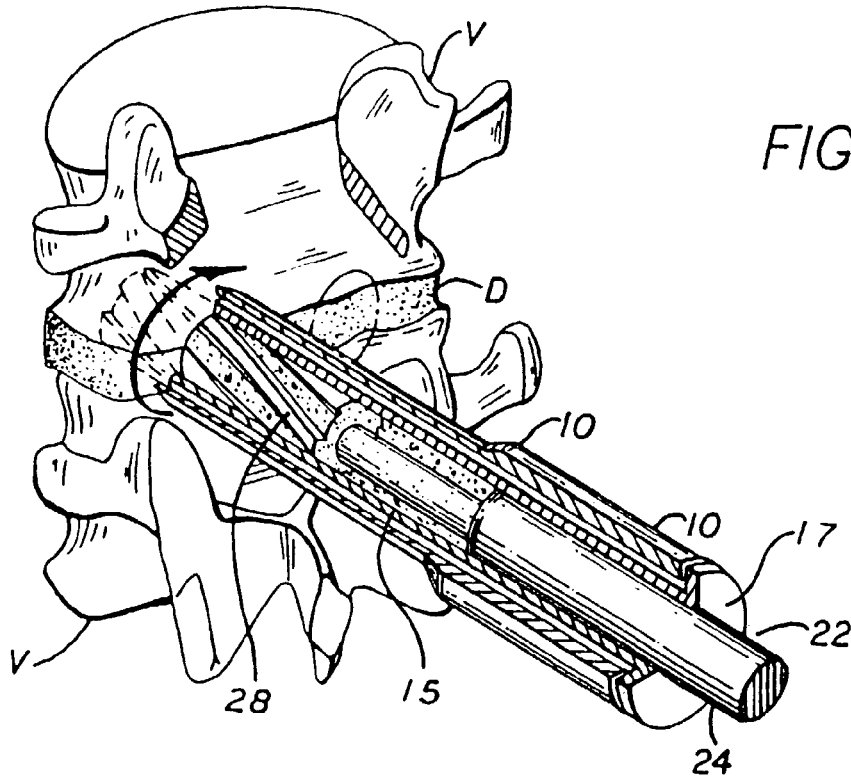
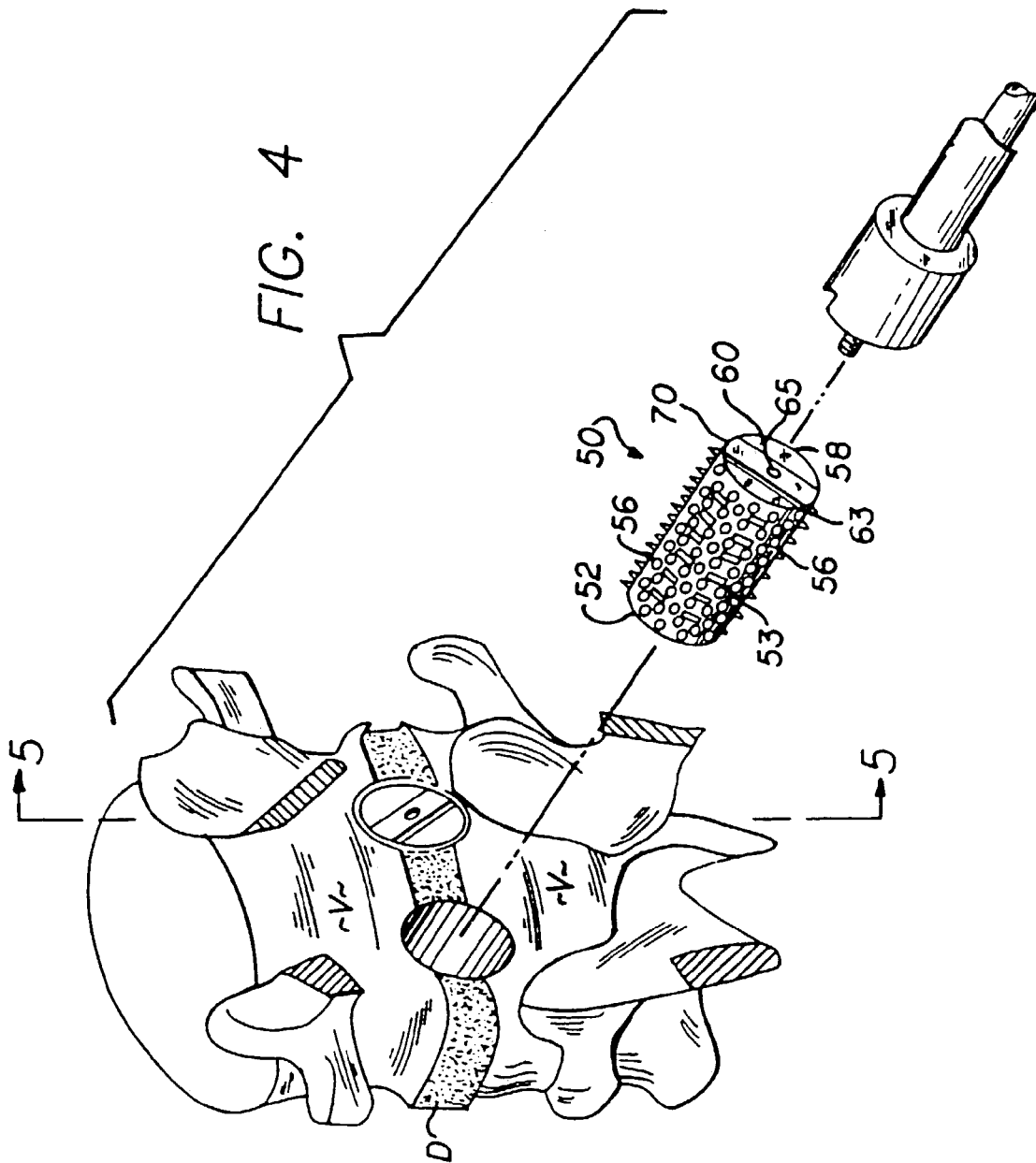


FIG. 1







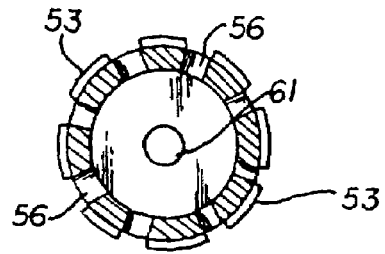
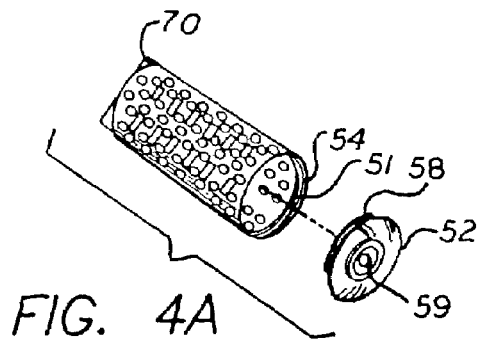


FIG. 4D

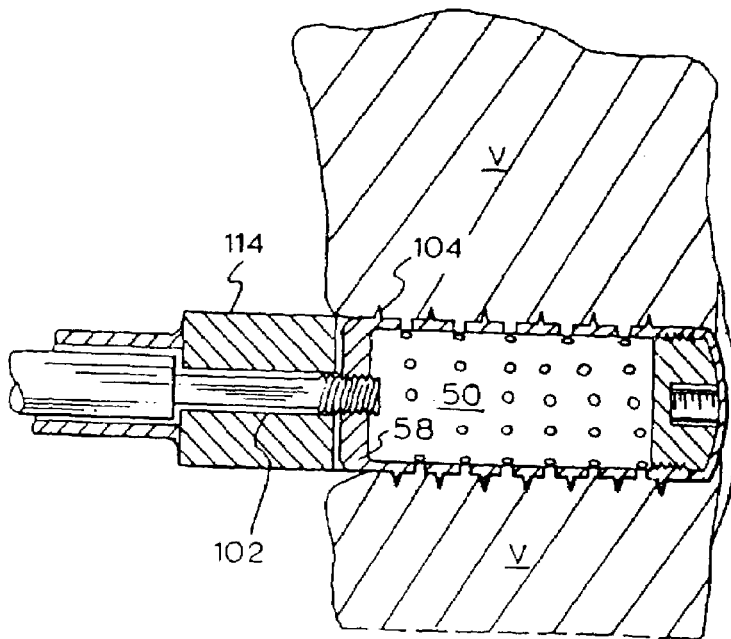


FIG. 4C

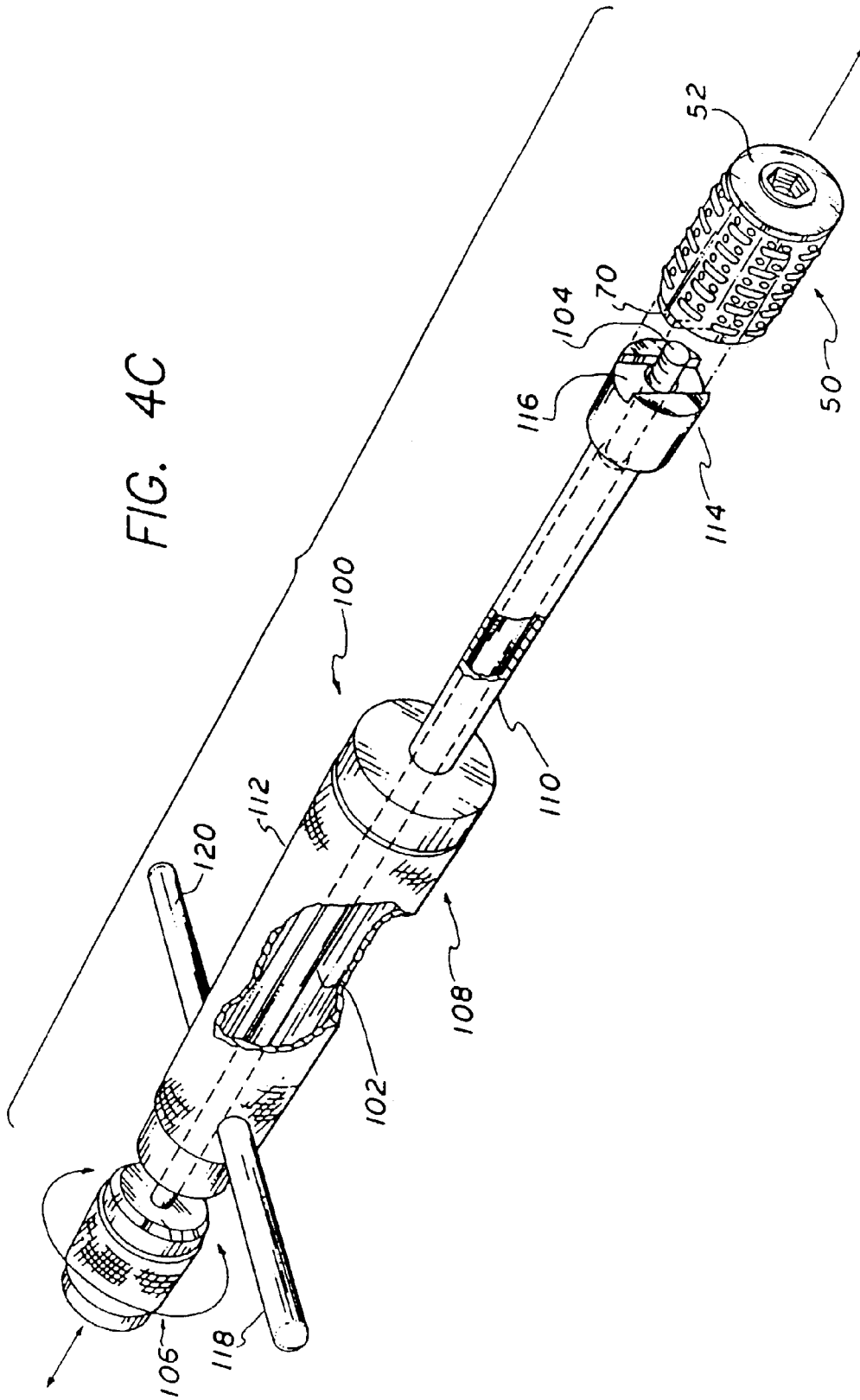
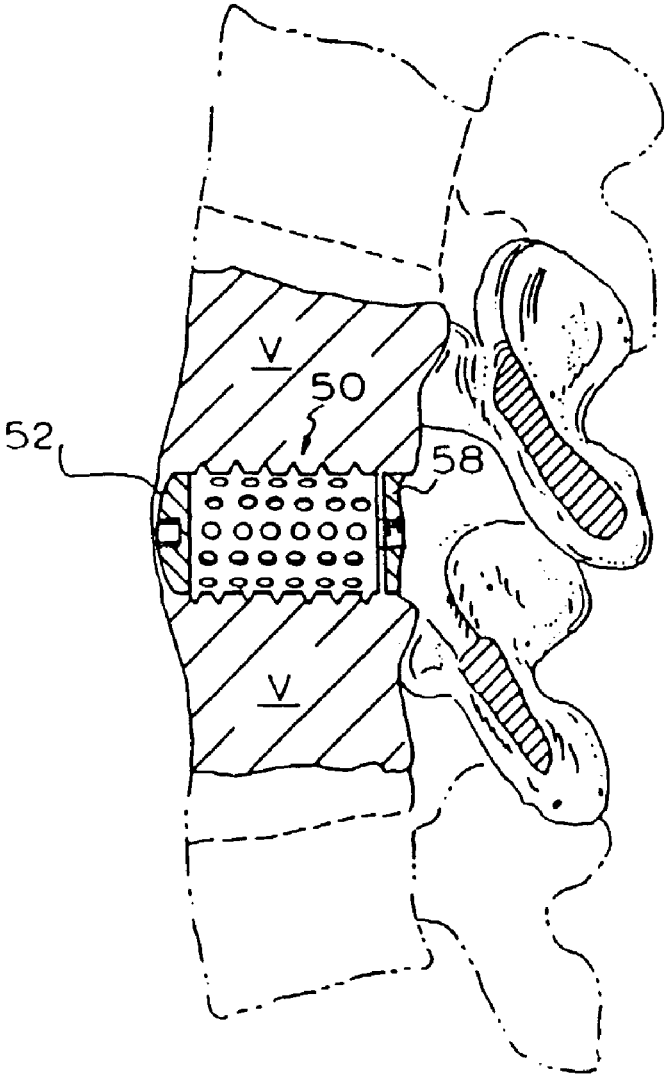


FIG. 5



SPINAL FUSION IMPLANT HAVING A CURVED END

This is a continuation of application Ser. No. 08/480,684, filed Jun. 7, 1995, pending, which is a divisional application of application Ser. No. 07/968,240, filed Oct. 29, 1992, now U.S. Pat. No. 5,741,253, which is a continuation of application Ser. No. 07/698,674, filed May 10, 1991, abandoned, which is a divisional of application Ser. No. 07/205,935, filed Jun. 13, 1988, now U.S. Pat. No. 5,015,247 all of which are incorporated herein by reference.

BACKGROUND

The present invention relates to an artificial fusion implant to be placed into the intervertebral space left after removal of a damaged spinal disc.

The purpose of the present invention is to provide an implant to be placed within the intervertebral disc space and provide for the permanent elimination of all motion at that location. To do so, the device is space occupying within the disc space, rigid, self-stabilizing to resist dislodgement, stabilizing to the adjacent spinal vertebrae to eliminate local motion, and able to intrinsically participate in a vertebral to vertebrae bony fusion so as to assure the permanency of the result.

At present, following the removal of a damaged disc, either bone or nothing is placed into the space left. Placing nothing in the space allows the space to collapse which may result in damage to the nerves; or the space may fill with scar tissue and eventually lead to a reherniation. The use of bone is less than optimal in that the bone obtained from the patient requires additional surgery and is of limited availability in its most useful form, and if obtained elsewhere, lacks living bone cells, carries a significant risk of infection, and is also limited in supply as it is usually obtained from accident victims. Furthermore, regardless of the source of the bone, it is only marginal structurally and lacks a means to either stabilize itself against dislodgement, or to stabilize the adjacent vertebrae.

A review of related prior art will demonstrate the novelty of the present invention.

There have been an extensive number of attempts to develop an acceptable disc prosthesis (an artificial disc) Such devices by design would be used to replace a damaged disc and seek to restore the height of the interspace and to restore the normal motion of that spinal joint. No such device has been found that is medically acceptable. This group of prosthetic or artificial disc replacements, seeking to preserve spinal motion and so are different from the present invention, would include:

U.S. Pat. No. 3,867,726 STUBSTAD—describing a flexible disc implant.

U.S. Pat. No. 4,349,921 KUNTZ—describing a flexible disc replacement with file like surface projections to discourage device dislocation.

U.S. Pat. No. 4,309,777 PATIL—describing a motion preserving implant with spiked outer surfaces to resist dislocation and containing a series of springs to urge the vertebrae away from each other.

U.S. Pat. No. 3,875,595 FRONING—describing a motion preserving bladder like disc replacement with two opposed stud-like projections to resist dislocation.

U.S. Pat. No. 2,372,622 FRENCH (FASSIO)—describing a motion preserving implant comprising complimentary opposed convex and concave surfaces.

In summary then, these devices resemble the present invention only in that they are placed within the intervertebral space following the removal of a damaged disc. In that they seek to preserve spinal motion, they are diametrically different from the present invention which seeks to permanently eliminate all motion at that spinal segment.

A second related area of prior art includes those devices utilized to replace essentially wholly removed vertebrae. Such removal is generally necessitated by extensive vertebral fractures, or tumors, and is not associated with the treatment of disc disease. While the present invention is to be placed within the disc space, these other vertebral devices cannot be placed within the disc space as at least one vertebrae has already been removed such that there no longer remains a “disc space.” Furthermore, these devices are limited in that they seek to perform as temporary structural members mechanically replacing the removed vertebrae (not a removed disc), and do not intrinsically participate in supplying osteogenic material to achieve cross vertebrae bony fusion. Therefore, again unlike the present invention which provides for a source of osteogenesis, use of this group of devices must be accompanied by a further surgery consisting of a bone fusion procedure utilizing conventional technique. This group consisting of vertebral struts rather than disc replacements would include the following:

U.S. Pat. No. 4,553,273 WU—describing a turnbuckle like vertebral strut.

U.S. Pat. No. 4,401,112 REZAIAN—describing a turnbuckle like vertebral strut with the addition of a long stabilizing staple that spans the missing vertebral body.

U.S. Pat. No. 4,554,914 KAPP—describing a large distractible spike that elongates with a screw mechanism to span the gap left by the removal of a entire vertebrae and to serve as an anchor for acrylic cement which is then used to replace the missing bone (vertebrae).

U.S. Pat. No. 4,636,217 OGILVIE—describing a vertebral strut mechanism that can be implanted after at least one vertebrae has been removed and which device consists of a mechanism for causing the engagement of screws into the vertebrae above and the vertebrae below the one removed.

In summary then, this group of devices differs from the present invention in that they are vertebral replacements struts, do not intrinsically participate in the bony fusion, can only be inserted in the limited circumstances where an entire vertebrae has been removed from the anterior approach, and are not designed for, or intended to be used for the treatment of disc disease.

A third area of prior art related to the present invention includes all devices designed to be applied to one of the surfaces of the spine. Such devices include all types of plates, struts, and rods which are attached by hooks, wires and screws. These devices differ significantly from the present invention in that they are not inserted within the disc space, and furthermore do not intrinsically participate in supplying osteogenic material for the fusion.

Therefore, with these devices where permanent spinal immobilization is desired an additional surgery consisting of a spinal fusion performed by conventional means or the use of supplemental methylmethacrylate cement is required. Such devices applied to the spine, but not within the disc space, would include the following:

U.S. Pat. No. 4,604,995—STEPHENS—describing a “U” shaped metal rod attached to the posterior elements of the spine with wires to stabilize the spine over a large number of segments.

U.S. Pat. No. 2,677,369—KNOWLES—describing a metal column device to be placed posteriorly along the lumbar spine to be held in position by its shape alone and to block pressure across the posterior portions of the spinal column by locking the spine in full flexion thereby shifting the maximum weight back onto the patient's own disc.

Other devices are simply variations on the use of rods (e.g. Harrington Luque, Cotrel-Dubosset, Zielke), wires or cables (Dwyer), plates and screws (Steffee), or struts (Dunn, Knowles).

In summary, none of these devices are designed or can be used within the disc space, do not replace a damaged disc, and do not intrinsically participate in the generation of a bony fusion.

Another area of related prior art to be considered is that of devices designed to be placed within the vertebral interspace following the removal of a damaged disc, and seeking to eliminate further motion at that location.

Such a device is contained in U.S. Pat. No. 4,501,269 BAGBY—describing an implantable device and limited instrumentation. The method employed is as follows: a hole is bored transversely across the joint and then a hollow metal basket of larger diameter than the hole is then pounded into the hole and then filled with the bone debris generated by the drilling.

While the present invention (device, instrumentation, and method) may appear to bear some superficial resemblance to the BAGBY invention, it is minimal, while the differences are many fold and highly significant. These differences include the following:

1. Safety—The present invention provides for a system of completely guarded instrumentation so that all contiguous vital structures (e.g. large blood vessels, neural structures) are absolutely protected. Said instrumentation also makes overpenetration by the drill impossible. Such overpenetration in the cervical spine, for example, would result in the total paralysis or death of the patient. In the thoracic spine, the result would be complete paraplegia. In the lumbar spine, the result would be paraplegia or a life-threatening perforation of the aorta, vena cava, or iliac vessels. The present invention is atraumatically screwed into place while the BAGBY device, in contradistinction, is pounded into position. BAGBY describes that the implant is significantly larger in size than the hole drilled and must be pounded in. This is extremely dangerous and the pounding occurs directly over the spinal cord which is precariously vulnerable to percussive injury. Furthermore, while it is possible, for example in the lumbar spine, to insert the present invention away from the spinal cord and nerves, the BAGBY device must always be pounded directly towards the spinal cord.

Furthermore, since the BAGBY device is pounded into a smooth hole under great resistance, and lacking any specific design features to secure it, the device is highly susceptible to forceful ejection which would result in great danger to the patient and a clinical failure. The present invention, in contradistinction, is securely screwed into place, and possesses highly specialized locking threads to make accidental dislodgement impossible. Because of the proximity of the spinal cord, spinal nerves, and blood vessels, any implant dislodgement as might occur with the BAGBY device might have catastrophic consequences.

2. Broad applicability—The BAGBY device can only be inserted from the front of the vertebral column, however, the present invention can be utilized in the cervical, thoracic, and lumbar spine, and can be inserted from behind (posteriorly) in the lumbar spine. This is of great importance in that

the purpose of these devices is in the treatment of disc disease and probably greater than 99 percent of all lumbar operations for the treatment of disc disease are performed from behind where the present invention can easily be utilized, but the BAGBY device, as per his description, cannot.

3. Disc removal—The BAGBY invention requires the complete removal of the disc prior to the drilling step, whereas the present invention eliminates the laborious separate process of disc removal and efficiently removes the disc and prepares the vertebral end plates in a single step.

4. Time required—The present invention saves time over the BAGBY invention in that time is not wasted laboring to remove the disc prior to initiating the fusion. Also, since with the present invention the procedure is performed through a system of guarded instrumentation, time is not wasted constantly placing and replacing various soft tissue retractors throughout the procedure.

5. Implant stability—Dislodgement of the implant would be a major source of device failure (an unsuccessful clinical result), and might result in patient paralysis or even death. As discussed, the BAGBY device lacks any specific means of achieving stability and since it is pounded in against resistance to achieve vertebral distraction, it is susceptible to forceful dislodgement by the tendency of the two distracted vertebrae, to return to their original positions squeezing out the device. The present invention however is screwed into place. As there is no unscrewing force present between the vertebrae and compression alone cannot dislodge the implant, the implant is inherently stable by its design. Furthermore, the threads of the present invention are highly specialized in that they are periodically interrupted such that the tail ends of each of the tabs so formed are blunted and twisted so as to resist accidental unscrewing. The removal of an implant with such "locking threads" requires the use of a special extractor included within the instrumentation. The stability of the present invention is still further enhanced, again in contradistinction to the BAGBY device, by the presence of a "bone ingrowth" surface texturing, which both increases the friction of the fit and allows for the direct growth of the vertebral bone into the casing of the implant itself.

6. Spinal stability—The present invention is not only self-stabilizing, it also provides stability to the adjacent vertebrae in at least three ways that the BAGBY device cannot. First, the BAGBY device is placed transversely across the joint in the center, leaving both vertebrae free to rock back and forth over this round barrel shaped axis, much like a board over a barrel, being used for a seesaw.

Secondly, as the BAGBY device lacks any specific design features to resist sliding, it may actually behave as a third body allowing the translation of the vertebrae relative to the device and to each other.

Thirdly, any device can only provide stability if it remains properly seated. The present invention is inherently stable, and therefore assures that it will stabilize the adjacent vertebrae; rather than, as with the BAGBY device, where the instability of the spine to be treated may instead cause a dislocation of the implant, with further loss of spinal stability.

7. The collapse of the interspace—While both the present invention and the BAGBY device can be fabricated to withstand the compression forces within the interspace, the interspace may nevertheless collapse under the superincumbent body weight as the implant settles into the vertebral bone. This is related to the load of per unit area. Again the present invention is superior to the BAGBY device in at

least four ways. First, the present invention offers considerably greater surface area to distribute the load. Secondly, while the BAGBY device is placed centrally, the present device is placed bilaterally where the bone tends to be more cortical and much stronger out towards the rim. Thirdly, the present invention supports the load achieving an “I” beam effect, whereas the BAGBY implant does not. Fourthly, it is not pressure alone that causes the collapse of the bone adjacent to the implant, but also bony erosion that is caused by the motion under pressure of the implant against the bone. As discussed in item 116 above, the present invention alone is highly resistant to such motion, again diminishing the likelihood of erosion and interspace collapse.

8. Bone ingrowth surface texturing—The present invention has a surface treatment of known and conventional technology to induce the growth of bone from the vertebrae directly into the casing material of the implant itself. The BAGBY device has no similar feature.

9. Fusion mass—The BAGBY invention calls for removing the disc and then drilling a hole between the adjacent vertebrae. The bony debris so generated is then put into the device. The present invention takes a core of pure bone producing marrow from the iliac crest, and then by use of a special press forcibly injects the device with an extremely dense compressed core of that osteogenic material until the material itself virtually extrudes from every cell of the implant.

10. The probability of achieving fusion—The fusion rate within the spine is known to be related directly to the amount of exposed vascular bone bed area, the quality and quantity of the fusion mass available, and the extent of the stabilization obtained with all other factors being half constant. It would then be anticipated, that the fusion rate would be superior with the present invention as compared to the BAGBY device, because of optimal implant stability (#5), optimal spinal stability (#6), bone ingrowth surface treatment (#8), superior fusion mass (#9), and the greater exposed vertebral bony surface area (#7).

The last area of prior art possibly related to the present invention arid therefore, to be considered related to “BONY INGROWTH”, and patents either describe methods of producing materials and or materials or devices to achieve the same. Such patents would include:

U.S. Pat. No. 4,636,526 (DORMAN), U.S. Pat. No. 4,634,720 (DORMAN), U.S. Pat. No. 4,542,539 (ROWE), U.S. Pat. No. 4,405,319 (COSENTINO), U.S. Pat. No. 4,439,152 (SMALL), U.S. Pat. No. 4,168,326 (BROEMER), U.S. Pat. No. 4,535,485 (ASHMAN), U.S. Pat. No. 3,987,499 (SCHARBACH), U.S. Pat. No. 3,605,123 (HAHN), U.S. Pat. No. 4,655,777 (DUNN), U.S. Pat. No. 4,645,503 (LIN), U.S. Pat. No. 4,547,390 (ASHMAN), U.S. Pat. No. 4,608,052 (VAN KAMPEN), U.S. Pat. No. 4,698,375 (DORMAN), U.S. Pat. No. 4,661,536 (DORMAN), U.S. Pat. No. 3,952,334 (BOKROS), U.S. Pat. No. 3,905,047 (LONG), U.S. Pat. No. 4,693,721 (DUCHEYNE), U.S. Pat. No. 4,070,514 (ENTHERLY).

However, while the present invention would utilize bone ingrowth technology, it would do so with conventional technology.

In summary then, tile present invention, instrumentation, and method, alone provides for a one stage discectomy, fusion, arid interbody internal spinal fixation; that being performed more quickly, with greater safety, and more affectively, for all of the aforementioned reasons than is possible with any other known art.

BRIEF SUMMARY OF THE INVENTION

The present invention comprises a series of artificial implants, the purpose of which is to participate in, and directly cause bone fusion across an intervertebral space following the excision of a damaged disc. Such implants are structurally load bearing devices, stronger than bone, capable of withstanding the substantial forces generated within the spinal interspace. Such device have a plurality of macro sized cells and openings, which can be loaded with fusion promoting materials, such as autogenous bone, for the purpose of materially influencing the adjacent vertebrae to perform a bony bond to the implants and to each other. The implant casing may be surface textured or otherwise treated by any of a number of known technologies to achieve a “bone ingrowth surface” to further enhance the stability of the implant and to expedite the fusion.

Further, said devices are so configured and designed so as to promote their own stability within the vertebral interspace and to resist being dislodged, and furthermore, to stabilize the adjacent spinal segments.

The apparatus for preparing the vertebrae for insertion of the implant is also disclosed, such instrumentation and method allowing for the rapid and safe removal of the disc, preparation of the vertebrae, performance of the fusion, and internal stabilization of the spinal segment.

DISCUSSION OF THE INSTRUMENTATION

The concept of performing various aspects of this surgery are not entirely new. Drills are frequently placed through hollow, tubular guards to protect the adjacent soft tissues. A set of instruments developed by Ralph Cloward utilizes such a tubular drill guard on a larger scale, for the purpose of drilling into the cervical spine. However, this inventor is unaware of any set of instruments, system, or procedure designed to allow the entire surgical procedure beyond the initial exposure, to be performed blindly and with complete safety through a fixed sheath apparatus. Specific design features which combine to make this uniquely possible are as follows:

1. The availability of the specific implant.
2. The end of all the penetrating instrumentation is blunt faced.
3. All of the instruments have been stopped out at a predetermined depth to avoid overpenetration.
4. The design of the external sheath conforms to the spacial limitations of the specific surgical site.
5. The design and use of a second or inner sheath allows for the difference in size between the inside diameter of the outer sheath, and the outside diameter of the drill itself. This difference being necessary to accommodate the sum of the distraction to be produced, and the depth of the circumferential threading present of the implant.
6. A specially designed drill bit with a central shaft recess allows for the safe collection of the drilling products, which can then be removed without disturbing the outer sheath by removing the drill bit and inner sheath as a single unit.
7. A specially designed trephine for removing a core of bone slightly smaller in diameter than the internal diameter of the implant cavity itself, however of a greater length.
8. A specially designed press for forcefully compressing and injecting the long core of autogenous bone into the implant, such that it extrudes through the implant itself.
9. A specially designed driver extractor, which attaches to the implant and allows the implant to be either inserted or

removed without itself dissociating from the implant, except by the deliberate disengagement of the operator.

OBJECTS OF THE PRESENT INVENTION

It is an object of the present invention to provide an improved method of performing a discectomy, a fusion, and an internal stabilization of the spine, and specifically, all three of the above simultaneously and as a single procedure.

It is another object of the present invention to provide an improved method of performing a discectomy, a fusion, and an internal stabilization of the spine, which is both quicker and safer than is possible by previous methods.

It is another object of the present invention to provide an improved method of performing a discectomy, a fusion, and an internal stabilization of the spine, to provide for improved surgical spinal implants.

It is another object of the present invention to provide an improved method of performing a discectomy, a fusion, and an internal stabilization of the spine, which provides for an improved system of surgical instrumentation to facilitate the performance of the combined discectomy, fusion, and internal spinal stabilization.

It is another object of the present invention to provide an improved method of performing a discectomy, a fusion, and an internal stabilization of the spine procedures.

These and other objects of the present invention will be apparent from review of the following specifications and the accompanying drawings.

BRIEF DESCRIPTION OF THE DRAWINGS

FIG. 1 is a partial view of the vertebrae structure with the driver and outer sheath assembly of the present invention.

FIG. 1A is a perspective view of the driver member for the outer sheath.

FIG. 2 is a perspective view of the outer sheath being inserted into the vertebrae structure.

FIG. 3 is a perspective view of the outer sheath and inner sheath assembly, with the drill bit of the present invention.

FIG. 3A is a side sectional view of the collar and drill bit of FIG. 3.

FIG. 4 is a perspective view of a cylindrical implant arid vertebrae structure.

FIG. 4A is a perspective view of one preferred embodiment of the implant.

FIG. 4B is a cross sectional view of the implant of FIG. 4A.

FIG. 4C is the driving and insertion equipment for the implant of FIG. 4A.

FIG. 4d is a side sectional view of the driver and implant between vertebrae.

FIG. 5 is a sectional view of the vertebrae structure, taken along lines 5-5 of FIG. 4.

DETAILED DESCRIPTION OF THE DRAWINGS

Referring to FIG. 1 a vertebrae structure comprising two vertebrae V and a disc D between the two vertebrae, is shown. A hollow tubular drill sleeve 10 has teeth 12 at its lower end. The sleeve 10 has an enlarged diameter upper portion 14.

A driver 16, shown in FIG. 1A, consists of a solid tubular member 18 and an increased diameter head 20. The external diameter of the solid tubular member 18 is slightly smaller than the inside diameter of the hollow tubular drill sleeve 10

and has a length that is substantially shorter than the overall length of the hollow tubular drill sleeve 10.

The drill sleeve 10 is made of metal in order to be driven into the vertebrae V and be held in place by the teeth 12 of the drill sleeve 10.

Referring to FIG. 2 the drill sleeve 10 with the driver 16 installed is shown being driven into two vertebrae V on either side of a disc D by hammer H.

Referring to FIGS. 3 and 3a the drill assembly is shown. In FIG. 3 the drill sleeve 10 is illustrated in the two vertebrae V, straddling the disc D.

The retaining sleeve 15 has an outside diameter slightly smaller than the inside diameter of the drill sleeve 10, and a length substantially the same length as the drill sleeve 10.

The retaining sleeve 15 has a collar 17 at its upper end for engaging the top of the drill sleeve 10.

The drill 22 comprises an upper portion 24, a central recessed portion 26 and a lower cutting drill portion 28. The upper 24 and lower portion 28 of the drill 22 have the same outside diameter. The drill 24 has a collar 30 attached to the upper portion 24 of the drill 22.

The outside diameter of the drill 22 is slightly smaller than the inside diameter of the retaining sleeve 15. The length of the drill, from the collar 30 to the end of the drill bit, is such that a predetermined portion of the drill bit 22 extends beyond the end 29 of the sleeve when fully inserted.

Referring to FIG. 4, a cylindrical embodiment of the present invention is shown, one implant positioned in the opening in the vertebrae and disc formed by the drill 22, and a second implant shown prior to implantation.

The cylindrical implant 50 comprises a hollow tubular member which in the preferred embodiment is made of an ASTM surgically implantable material, and is preferably Titanium. The cylindrical implant 50 has a mid-longitudinal axis (FIGS. 4d and 5), and is closed at one end and open at the other end 54. The outer cylindrical implant 50 has a series of macro-sized openings 56 through the side walls of the cylindrical member 50. A series of external threads 53 are formed on the circumference of the cylindrical implant 50. The threads 53 are locking threads having a series of interjections, the ends of which are blunted and twisted so as to resist unscrewing.

The open end 54 of the cylindrical implant 50 has an internal thread 51 for receiving a complementary cap 52 which has an external thread 58 for engaging the internal threads 51 of the cylindrical member 50. The cap 52 can have in one preferred embodiment a curvature (FIG. 5), and includes a hexagonal opening 59 for use with an allen wrench for tightening the cap. During implantation (FIG. 4 and when imolanted (FIGS. 4d and 5), the cap 52 and the rear surface 60 are the leading and the trailing ends, respectively. Thus, as shown in FIGS. 4d and 5, the leading end is at least in part curved in a plane parallel to the mid-longitudinal axis.

To facilitate implantation, a driver engaging element 70 is located on the rear surface 60 of the implant. The driver engaging element 70 comprises a raised rectangular portion 63 and a central threaded opening 65, for engaging the driver apparatus, shown in FIG. 4c and FIG. 4d. The driving equipment 100 comprises a central tubular rod 102 having a thread fitting into opening 65 in the implant. An enlarged knurled knob 106 is affixed to the other end of the rod 102 far ease in turning. The central rod 102 is enclosed within a hollow tubular member 108, having a narrow lower portion 110 and an increased diameter upper portion 112. At the end of the lower portion 110 is an attachment member 114, having a generally rectangular depression 116 for complementing

the driver engaging element **70** of the implant **50**. A pair of handles **118** and **120** extend perpendicular from the upper position **112** of the tubular member **108** to assist in turning the driver **100**.

The operation is performed in the following manner: (Example Lumbar Spine Posterior Approach) A skin incision is made directly over the interspace to be operated on. The dissection is carried down along side of the supraspinous and interspinous ligaments preserving those structures. A semi hemi laminotomy is performed at the upper level, removing sufficient bone to allow access into the interspace. The ligament flavum is removed and then the dural sac is protected by retracting it medially along with the traversing (inferior) nerve root. The superior nerve root or the root exiting beneath the pedicle at level above is visualized and protected.

At this time the drill sleeve **10** is placed into the spinal canal with both nerve roots directly inspected and protected. The drill sleeve **10** is imbedded by teeth **12** spanning the disc space from the midline over and it is seated into the two vertebrae **V** across the disc **D** space by using a driver **20**. Once this is done, the driver **20** is removed and a retaining sleeve **15** is placed through the drill sleeve **10**. Once sealed, sleeve **10** provides absolute protection to the dural sac and nerve roots as the remaining surgery is performed entirely through this sleeve.

The inner sleeve allows for the difference between the outside diameter of the drill **22** and the outside diameter of the threads **53** of the cylindrical implant **50**. This then makes it possible to perform the entire operation through the Lumbar of the imbedded outer sleeve despite the differences in diameter between the drill and the implant.

A drill **22** is then placed in the retaining sleeve **17**. The drill **22** is of such a length that it can not penetrate more than 28 millimeters beyond the end of the drill sleeve **10**. This, of course, could be varied and made smaller for enhanced safety. However at the present time 27 to 28 millimeters seems to be safe for probably 3 standard deviations of the population. The drill **22** is attached to a power unit and the drilling takes place.

The recessed central area between the reduced portion **26**; allows for the accumulation of the debris generated by the drilling. At this time, leaving the outer sleeve firmly embedded, the retaining sleeve **17** is removed with the drill **22** as a single unit. All the vertebrae and disc debris that was generated during the drilling is contained within the recess and against the inside wall of the retaining sleeve **17** and can not come out within the spinal canal. Once the retaining sleeve **17** and drill **22** is out of the patient's operative field, all of the material so generated can be removed.

The next step is that a screw tap is put down through the drill sleeve **10**. The tap also has a collar on it that will automatically stop the tap from extending beyond 28 millimeters of penetration. The tap itself has a blunt nose that would also avoid any perforation. The tap is then removed. The tap size has deliberately been selected so that its inner root diameter is 1.3 millimeters greater than the outside diameter of the drill **22**. This insures that the interspace will be distracted by at least that much once the implant is placed. The tap has its outside diameter 1.2 millimeters greater than its root diameter. The tap is removed and the space is now prepared to accept the cylindrical implant **50**.

The Implant **50** is prepared by utilizing the trephine, a hollow drill, to obtain a core of pure cancellous bone from the patients iliac crest of slightly smaller diameter than the internal diameter of the implant but approximately 6 mm longer. The implant **50** is placed in a press like device like

an ammo loader and the bone graft measuring approximately 32 millimeters is then compressed into the hollow body of the implant (26 mm) so that the bone graft fills the opening **54** and extends through the openings **56**. The cap **60** is then screwed on to the implant **50** by use of an alien driver/wrench and the device is ready for implantation.

The inserter/remover is such that it lock onto the implant, so that the implant can be moved either clockwise or counter-clockwise, screwed or unscrewed. The implant itself has for its root diameter the same exact root diameter as the tap which as already noted is already 1.3 millimeters greater than the drill and has an outside diameter, 1.5 millimeters greater than its root. This is also 0.3 millimeters greater than the threads cut by the tap so that in inserting the device it is actually cutting through previously uncut bone helping to insure that it locks in firmly. The threads on the implant **50** are locking threads so that it is easier to screw the device in than for it to be unscrewed. However, with sufficient torque it is possible to extract the device if ones so desires.

Once the implant has been seated it is able to be inserted only 28 millimeters. Since the implant **50** is only 26 millimeters in length, this virtually guarantees that the implant **50** will be recessed into the vertebral bodies more than 2 millimeters and can not protrude into the spinal canal.

Similarly, the implants shown in FIG. **4b** can be implanted. The implant in FIG. **4b** is a modified solid, having extensive channelling throughout, and has no cap. A central opening **61** permits insertion of the bone graft material into the interior of the implant.

These implants have a surface configuration such as to induce bone ingrowth through the implant, and into the wall of the vertebrae in effect inducing fusion from one vertebrae in joint to the other, thereby eventually making the implant itself superfluous as the bone would do the work.

The implant itself, because of its being made of stronger material than bone, would provide structural support to the two vertebrae while awaiting bone ingrowth. Once the bone ingrowth occurred, however, the implant would be firmly and permanently fixed in place.

As shown in FIG. **4**, more than one implant is inserted into the disc space, thereby preventing the rocking motion that would result in the difficulties referred to above in the discussion of the Bagby patent.

While the invention has been described with regards to the preferred embodiment, it is recognized that alternative embodiment may be devised which would not depart from the present invention.

The invention claimed is:

1. An artificial interbody spinal fusion implant for insertion across the height of a disc space and at least in part in between two adjacent vertebral bodies of a human spine, said implant comprising:

a leading end for insertion into the spine, a trailing end opposite said leading end, and a mid-longitudinal axis therebetween, at least one of said leading and trailing ends being at least in part curved in a plane parallel with the mid-longitudinal axis;

opposed arcuate portions adapted for placement toward and at least in part within the adjacent vertebral bodies and having a distance therebetween defining an implant height greater than the surgically corrected height of the disc space to be fused, said opposed arcuate portions being between said leading end and said trailing end, each of said opposed arcuate portions having at least one opening in communication with one another for permitting for the growth of bone from vertebral body to adjacent vertebral body through said implant;

11

said implant comprising at least in part of an implantation material other than bone; and

a bone-engaging protrusion extending from each of said opposed arcuate portions configured to penetrably engage the bone of each of the adjacent vertebral bodies to maintain said implant within the disc space.

2. The spinal fusion implant of claim 1, wherein at least one of said ends is at least in part convex.

3. The spinal fusion implant of claim 1, wherein said at least in part curved portion of said at least one of said ends comprises a removable cap.

4. The spinal fusion implant of claim 3, wherein said cap is at least in part convex.

5. The spinal fusion implant of claim 1, wherein each of said opposed arcuate portions comprises an interior surface, said interior surfaces being spaced apart to define a hollow interior in communication with said at least one opening of each of said opposed arcuate portions.

6. The spinal fusion implant of claim 5, wherein at least one of said ends is open to allow access to said hollow interior.

7. The spinal fusion implant of claim 6, wherein said at least one end providing access to said hollow interior of said implant is adapted to be closed by a cap.

8. The spinal fusion implant of claim 7, wherein said implant having said at least one end providing access to said hollow interior is in combination with a cap adapted to close said hollow interior.

9. The spinal fusion implant of claim 8, wherein said cap includes said at least in part curved portion.

10. The spinal fusion implant of claim 1, wherein said protrusion is adapted to facilitate insertion and resist expulsion of said implant between the two adjacent vertebral bodies.

11. The spinal fusion implant of claim 1, wherein said protrusion comprises a thread.

12. The spinal fusion implant of claim 11, wherein said implantation material comprises a bone ingrowth material.

13. The spinal fusion implant of claim 11, wherein said thread is interrupted.

14. The spinal fusion implant of claim 11, wherein at least one of said openings interrupts said thread.

15. The spinal fusion implant of claim 1, further comprising a plurality of cells for retaining fusion promoting substance.

16. The spinal fusion implant of claim 1, wherein said opposed arcuate portions have a porous surface.

17. The spinal fusion implant of claim 1, wherein said implantation material is porous.

18. The spinal fusion implant of claim 1, wherein said implantation material intrinsically participates in the growth of bone from one of the adjacent vertebral bodies to the other of the adjacent vertebral bodies.

19. The spinal fusion implant of claim 1, wherein said implant is treated with a fusion promoting substance.

20. The spinal fusion implant of claim 1, wherein said opposed arcuate portions have a bone ingrowth surface.

21. The spinal fusion implant of claim 1, wherein said implantation material is stronger than bone.

22. The spinal fusion implant of claim 1, in combination with a source of osteogenesis.

23. The spinal fusion implant of claim 1, in combination with a bone growth promoting substance.

24. The spinal fusion implant of claim 1, in combination with bone.

25. The spinal fusion implant of claim 24, wherein said bone is compressively loaded in said implant.

12

26. The spinal fusion implant of claim 1, wherein said trailing end is adapted to cooperatively engage an insertion device for inserting said implant into the spine.

27. The spinal fusion implant of claim 1, wherein said leading end is at least in part curved.

28. The spinal fusion implant of claim 1, wherein both of said ends are at least in part curved.

29. The spinal fusion implant of claim 1, wherein said implant has a width, at least one of said ends being substantially curved across the width of said implant.

30. The spinal fusion implant of claim 1, wherein at least one of said leading and trailing ends includes a dome-shaped portion.

31. The spinal fusion implant of claim 1, wherein said opposed arcuate portions have a radius of curvature, said at least one of said leading and trailing ends being at least in part curved having a radius of curvature different from the radius of curvature of said opposed arcuate portions.

32. The spinal fusion implant of claim 31, wherein the radius of curvature of said at least one of said leading and trailing ends being at least in part curved is greater than the radius of curvature of said opposed arcuate portions.

33. The spinal fusion implant of claim 1, wherein each of ends has a portion curved in the plane parallel with the mid-longitudinal axis, each of said curved portions having a radius of curvature, the radius of curvature of said portion of one of said ends being different from the radius of curvature of said portion of the other of said ends.

34. The spinal fusion implant of claim 33, wherein the radius of curvature of said portion of said leading end is greater than the radius of curvature of said portion of said trailing end.

35. An artificial interbody spinal fusion implant for insertion across the height of a disc space and at least in part in between two adjacent vertebral bodies of a human spine, said implant comprising:

a leading end for insertion into the spine, a trailing end opposite said leading end, and a mid-longitudinal axis through said leading and trailing ends, at least one of said leading and trailing ends being at least in part curved in a plane parallel with the mid-longitudinal axis and proximate a middle portion of said end;

opposed arcuate portions adapted for placement toward and at least in part within the adjacent vertebral bodies and being separated to define an implant height greater than the surgically corrected height of the disc space to be fused, each of said opposed arcuate portions having at least one opening in communication with one another for permitting for the growth of bone from vertebral body to adjacent vertebral body through said implant;

said implant having a minimum height from said opposed arcuate portion to said opposed arcuate portion, said at least one end having a height no greater than the minimum height of said implant;

said implant comprising at least in part of an implantation material other than bone; and

a bone-engaging protrusion extending from each of said opposed arcuate portions configured to penetrably engage the bone of each of the adjacent vertebral bodies to maintain said implant within the disc space.

36. The spinal fusion implant of claim 35, wherein at least one of said ends is at least in part convex.

37. The spinal fusion implant of claim 35, wherein said at least in part curved portion of said at least one of said ends comprises a removable cap.

13

38. The spinal fusion implant of claim 37, wherein said cap is at least in part convex.

39. The spinal fusion implant of claim 35, wherein each of said opposed arcuate portions comprises an interior surface, said interior surfaces being spaced apart to define a hollow interior in communication with said at least one opening of each of said opposed arcuate portions.

40. The spinal fusion implant of claim 39, wherein at least one of said ends is open to allow access to said hollow interior.

41. The spinal fusion implant of claim 40, wherein said at least one end providing access to said hollow interior of said implant is adapted to be closed by a cap.

42. The spinal fusion implant of claim 41, wherein said implant having said at least one end providing access to said hollow interior is in combination with a cap adapted to close said hollow interior.

43. The spinal fusion implant of claim 42, wherein said cap includes said at least in part curved portion.

44. The spinal fusion implant of claim 35, wherein said protrusion is adapted to facilitate insertion and resist expulsion of said implant between the two adjacent vertebral bodies.

45. The spinal fusion implant of claim 35, wherein said protrusion comprises a thread.

46. The spinal fusion implant of claim 35, further comprising a plurality of cells for retaining fusion promoting substance.

47. The spinal fusion implant of claim 35, wherein said opposed arcuate portions have a porous surface.

48. The spinal fusion implant of claim 35, wherein said implantation material is porous.

49. The spinal fusion implant of claim 45, wherein said implantation material comprises a bone ingrowth material.

50. The spinal fusion implant of claim 35, wherein said implantation material intrinsically participates in the growth of bone from one of the adjacent vertebral bodies to the other of the adjacent vertebral bodies.

14

51. The spinal fusion implant of claim 35, wherein said implant is treated with a fusion promoting substance.

52. The spinal fusion implant of claim 35, wherein said opposed arcuate portions have a bone ingrowth surface.

53. The spinal fusion implant of claim 35, wherein said implantation material is stronger than bone.

54. The spinal fusion implant of claim 35, in combination with a source of osteogenesis.

55. The spinal fusion implant of claim 35, in combination with a bone growth promoting substance.

56. The spinal fusion implant of claim 35, in combination with bone.

57. The spinal fusion implant of claim 56, wherein said bone is compressively loaded in said implant.

58. The spinal fusion implant of claim 35, wherein said trailing end is adapted to cooperatively engage an insertion device for inserting said implant into the spine.

59. The spinal fusion implant of claim 35, wherein said leading end is at least in part curved.

60. The spinal fusion implant of claim 35, wherein both of said ends are at least in part curved.

61. The spinal fusion implant of claim 35, wherein said implant has a width, at least one of said ends being substantially curved across the width of said implant.

62. The spinal fusion implant of claim 35, wherein said opposed arcuate portions have a radius of curvature, said at least one of said leading and trailing ends being at least in part curved having a radius of curvature different from the radius of curvature of said opposed arcuate portions.

63. The spinal fusion implant of claim 62, wherein the radius of curvature of said at least one of said leading and trailing ends being at least in part curved is greater than the radius of curvature of said opposed arcuate portions.

* * * * *

UNITED STATES PATENT AND TRADEMARK OFFICE
CERTIFICATE OF CORRECTION

PATENT NO. : 7,288,093 B2
APPLICATION NO. : 10/291152
DATED : October 30, 2007
INVENTOR(S) : Gary Karlin Michelson

Page 1 of 1

It is certified that error appears in the above-identified patent and that said Letters Patent is hereby corrected as shown below:

Title Page 2, Section (56) References Cited:

U.S. Patent Documents, line 40: change "Stetfee" to --Steffee--; and
Other Publications, line 17: change "Hohtschrauben" to --Hohlschrauben--.

Column 12:

Line 34: change "at toast" to --at least--.

Signed and Sealed this

Fourth Day of March, 2008

A handwritten signature in black ink that reads "Jon W. Dudas". The signature is written in a cursive style with a large, stylized initial "J".

JON W. DUDAS
Director of the United States Patent and Trademark Office