



US00D454953S

(12) **United States Design Patent**
Michelson

(10) **Patent No.:** **US D454,953 S**

(45) **Date of Patent:** **** Mar. 26, 2002**

(54) **END CAP FOR A SPINAL IMPLANT**

(76) **Inventor:** **Gary K. Michelson**, 436 Sherman Canal, Venice, CA (US) 90281

(**) **Term:** **14 Years**

(21) **Appl. No.:** **29/146,202**

(22) **Filed:** **Aug. 6, 2001**

Related U.S. Application Data

(62) Division of application No. 29/133,395, filed on Nov. 29, 2000, now Pat. No. Des. 450,122, which is a division of application No. 29/116,468, filed on Jan. 3, 2000, now Pat. No. Des. 439,340.

(51) **LOC (7) Cl.** **24-03**

(52) **U.S. Cl.** **D24/155**

(58) **Field of Search** D24/155; 606/60, 606/61, 72, 73; 134/3, 32, 41; 128/92 R, 926; 623/10, 11, 12, 16, 17, 66

(56) **References Cited**

U.S. PATENT DOCUMENTS

4,501,269 A	2/1985	Bagby
4,961,740 A	10/1990	Ray et al.
5,026,373 A	6/1991	Ray et al.
5,522,899 A	6/1996	Michelson
D374,482 S	10/1996	Goble et al.
4,961,740 C1	1/1997	Ray et al.
5,776,196 A	7/1998	Matsuzaki et al.
D397,439 S	8/1998	Koros et al.
6,019,763 A	2/2000	Nakamura et al.
D425,989 S	5/2000	Michelson
6,093,201 A	7/2000	Cooper et al.
6,179,839 B1	1/2001	Weiss et al.
RE37,161 E	5/2001	Michelson et al.

Primary Examiner—Antoine Duval Davis

(74) *Attorney, Agent, or Firm*—Martin & Ferraro

(57) **CLAIM**

The ornamental design for an end cap for a spinal implant, substantially as shown and described.

DESCRIPTION

FIG. 1 is a perspective view of the end cap for a spinal implant in accordance with a first embodiment of my claimed design with the remainder of the implant shown in hidden line and forming no part of the claimed design;

FIG. 2 is an exterior end view of the end cap of FIG. 1;

FIG. 3 is an interior end view of the end cap of FIG. 1;

FIG. 4 is a side elevational view of the end cap of FIG. 1;

FIG. 5 is an interior end view of an alternative embodiment of the end cap of FIG. 1;

FIG. 6 is a side elevational view of an alternative embodiment of the end cap of FIG. 1;

FIG. 7 is a perspective view of the end cap for a spinal implant in accordance with a second embodiment of my claimed design with the remainder of the implant shown in hidden line and forming no part of the claimed design;

FIG. 8 is an exterior end view of the end cap of FIG. 7;

FIG. 9 is a side elevational view of the end cap of FIG. 7;

FIG. 10 is an interior end view of the end cap of FIG. 7;

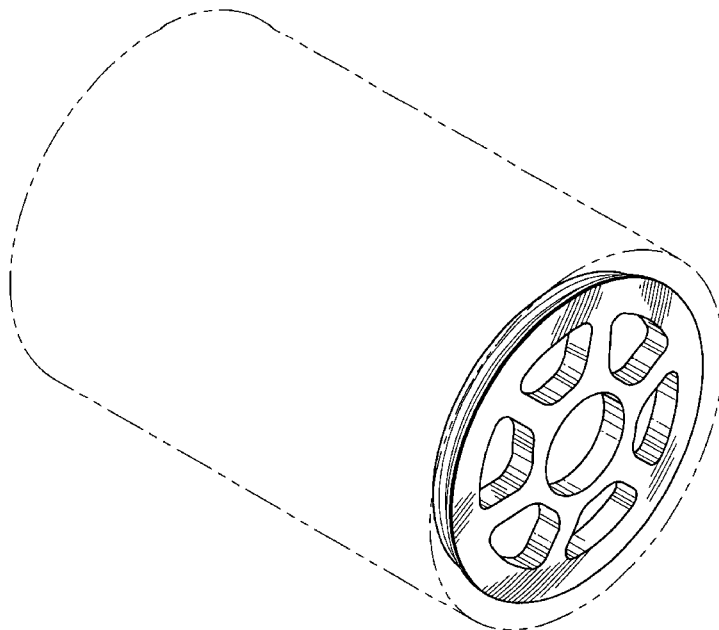
FIG. 11 is a perspective view of the end cap for a spinal implant in accordance with a third embodiment of my claimed design with the remainder of the implant shown in hidden line and forming no part of the claimed design;

FIG. 12 is an exterior end view of the end cap of FIG. 11;

FIG. 13 is a side elevational view of the end cap of FIG. 11; and,

FIG. 14 is an interior end view of the end cap of FIG. 11.

1 Claim, 6 Drawing Sheets



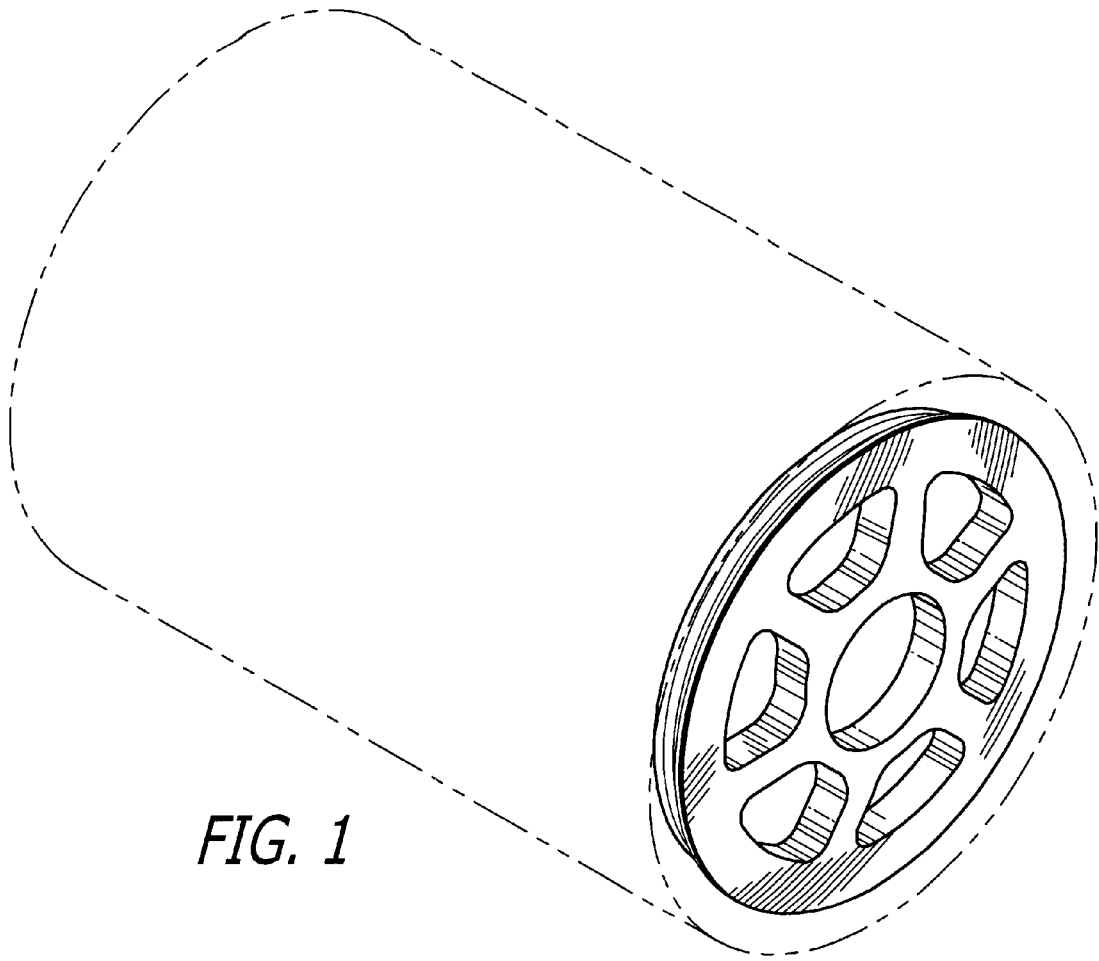


FIG. 1

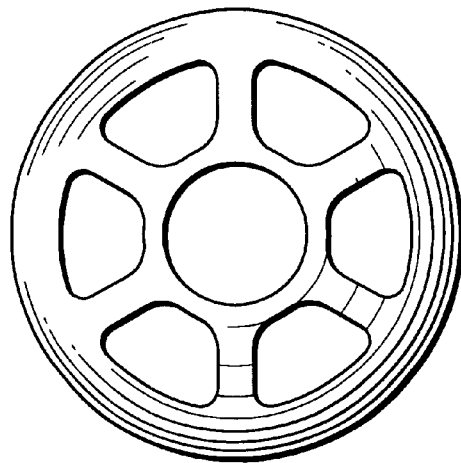


FIG. 2

FIG. 3

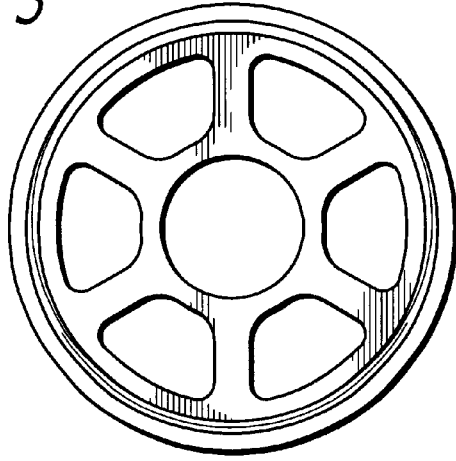


FIG. 4



FIG. 5

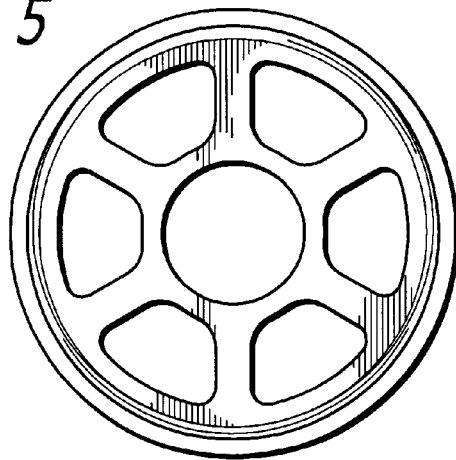


FIG. 6



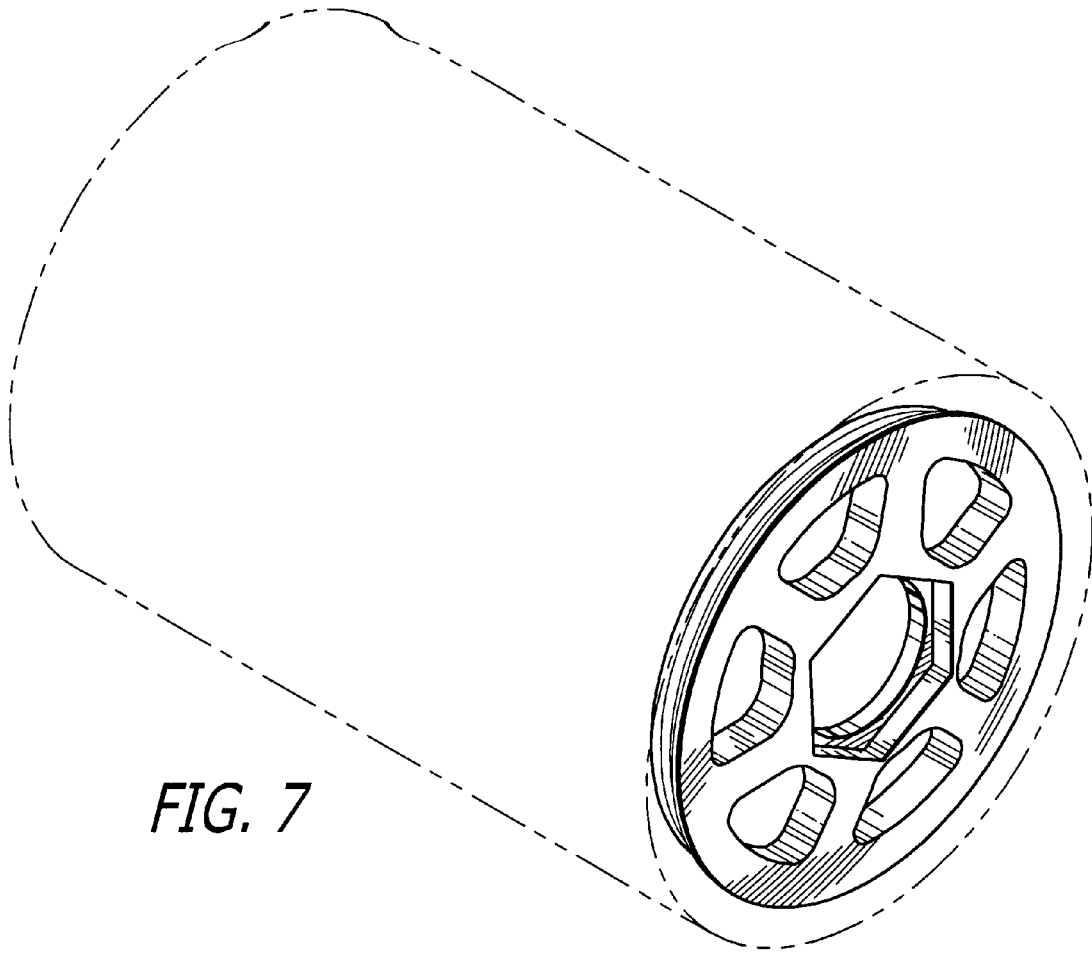


FIG. 7

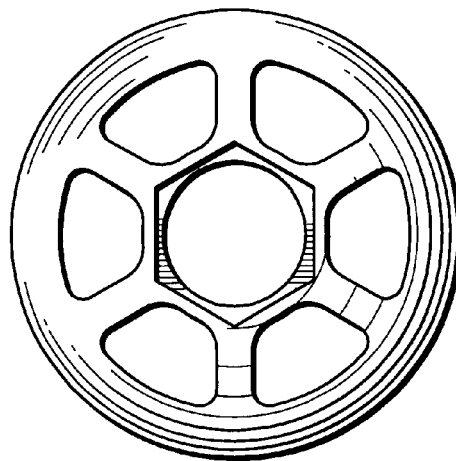


FIG. 8

FIG. 9

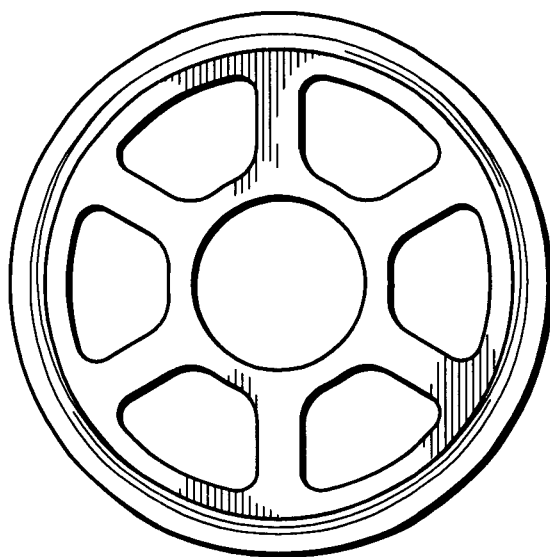


FIG. 10

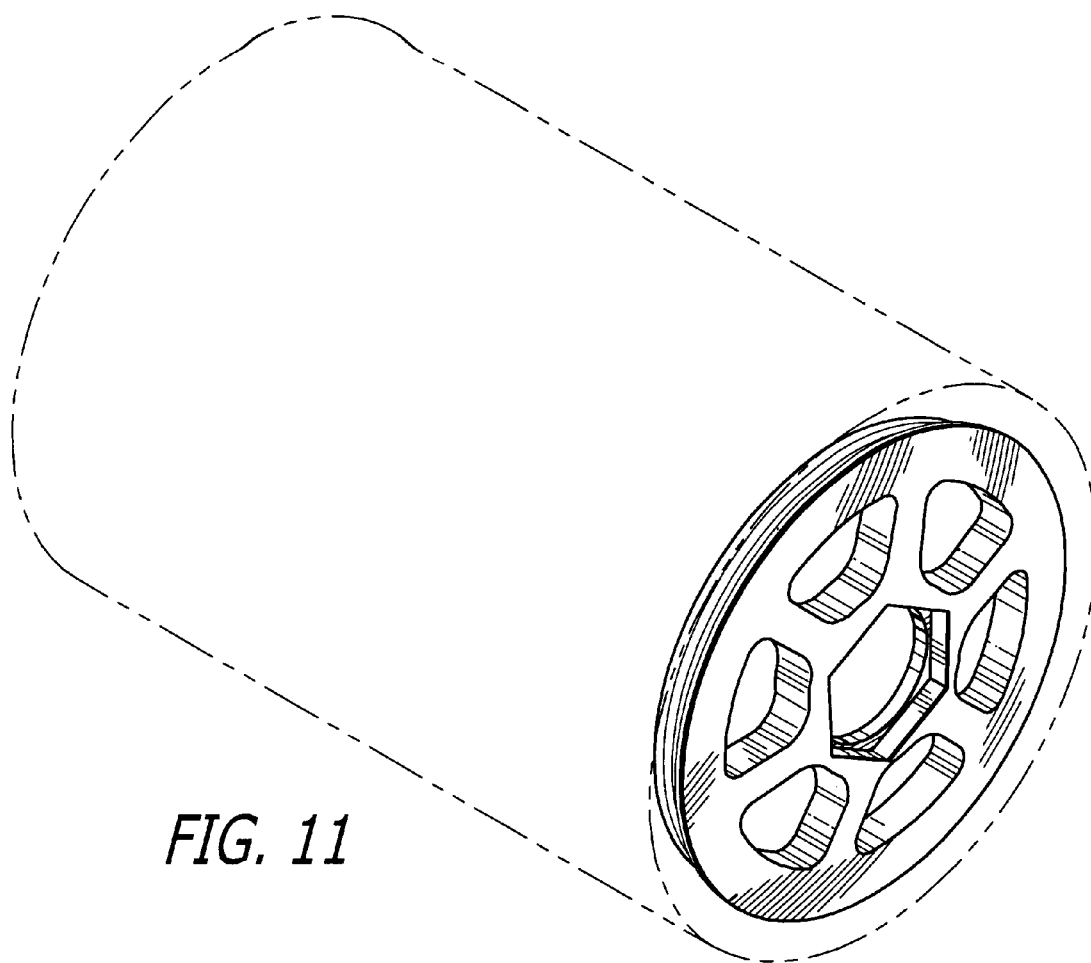


FIG. 11

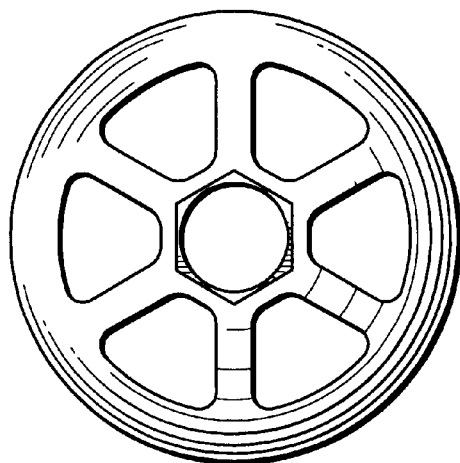


FIG. 12

FIG. 13

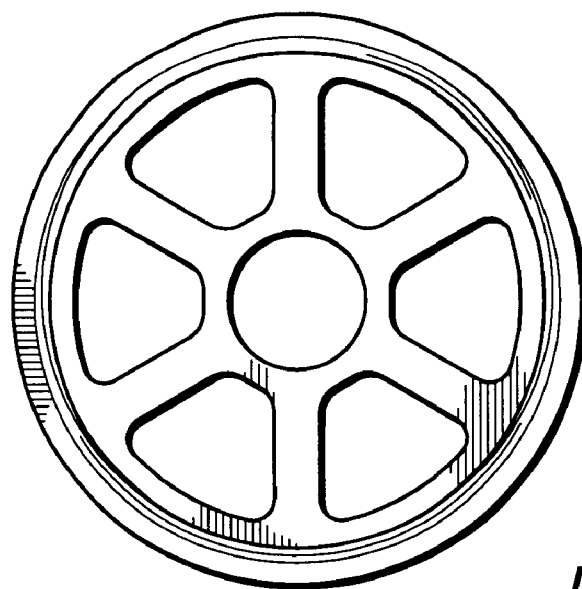


FIG. 14