



US00D454197S

(12) **United States Design Patent**
Michelson

(10) **Patent No.:** **US D454,197 S**

(45) **Date of Patent:** **** Mar. 5, 2002**

(54) **TRAILING END OF A SPINAL IMPLANT**

D397,439 S	8/1998	Koros et al.
5,860,973 A	1/1999	Michelson
6,019,792 A	2/2000	Cauthen
D425,989 S	5/2000	Michelson

(76) **Inventor:** **Gary K. Michelson**, 438 Sherman Canal, Venice, CA (US) 90291

(**) **Term:** **14 Years**

Primary Examiner—Antoine Duval Davis
(74) *Attorney, Agent, or Firm*—Martin & Ferraro, LLP

(21) **Appl. No.:** **29/141,974**

(57) **CLAIM**

(22) **Filed:** **May 16, 2001**

The ornamental design for trailing end of a spinal implant, substantially as shown and described.

Related U.S. Application Data

DESCRIPTION

(62) Division of application No. 29/130,269, filed on Sep. 28, 2000, now Pat. No. Des. 442,691, which is a division of application No. 29/115,228, filed on Dec. 9, 1999, now Pat. No. Des. 437,055.

FIG. 1 is a perspective view of the trailing end of a spinal implant in accordance with a first embodiment of my claimed design with the remainder of the implant shown in hidden line and forming no part of the claimed design;

(51) **LOC (7) Cl.** **24-03**

(52) **U.S. Cl.** **D24/155**

(58) **Field of Search** D24/155; 606/60, 606/61, 72, 73; 134/3, 32, 41; 128/92 R, 926; 623/10, 11, 12, 16, 17, 66

FIG. 2 is an end view of FIG. 1;

FIG. 3 is a side elevational view of FIG. 1 with the remainder of the implant shown in hidden line and forming no part of the claimed design;

(56) **References Cited**

U.S. PATENT DOCUMENTS

4,501,269 A	2/1985	Bagby
4,704,126 A	11/1987	Baswell et al.
5,015,247 A	5/1991	Michelson
D377,095 S	12/1996	Michelson
D377,096 S	12/1996	Michelson
5,776,196 A	7/1998	Matsuzaki et al.

FIG. 4 is a perspective view of the trailing end of a spinal implant in accordance with a second embodiment of my claimed design with the remainder of the implant shown in hidden line and forming no part of the claimed design;

FIG. 5 is an end view of FIG. 4; and,

FIG. 6 is a side elevational view of FIG. 4 with the remainder of the implant shown in hidden line and forming no part of the claimed design.

1 Claim, 2 Drawing Sheets

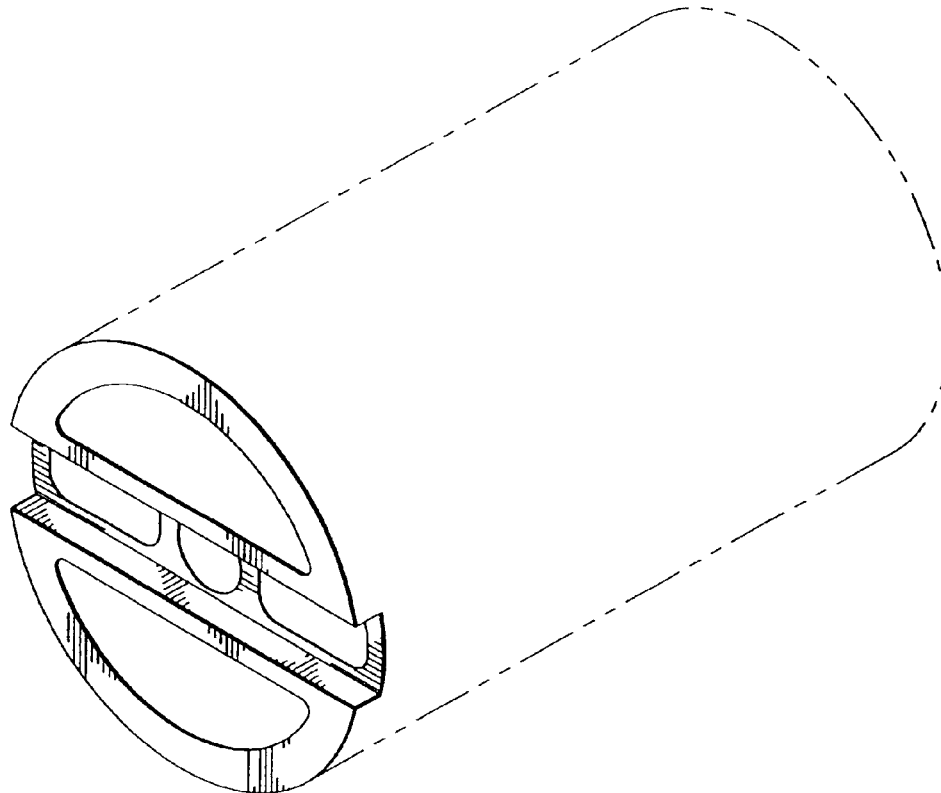


FIG. 1

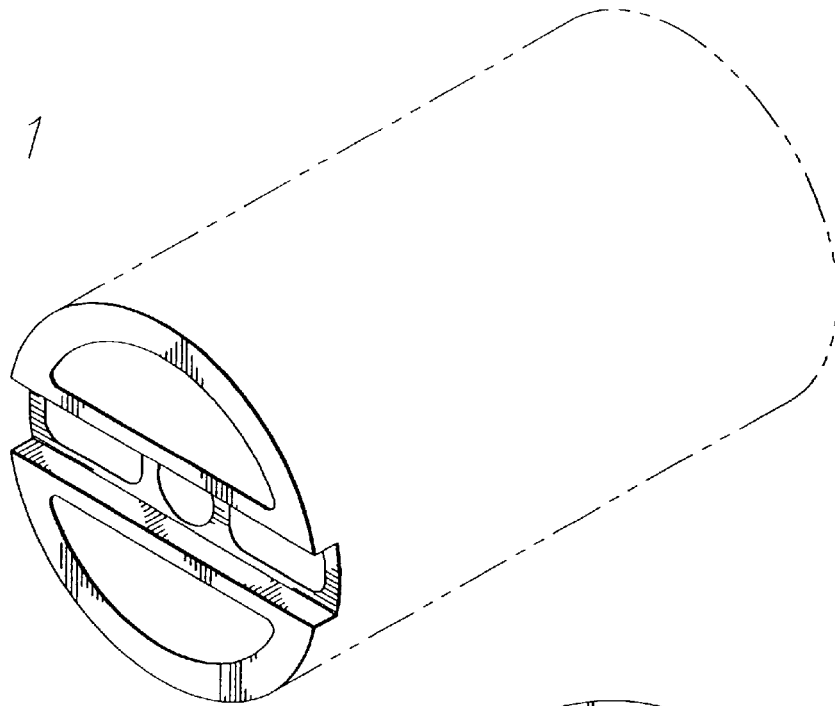


FIG. 2

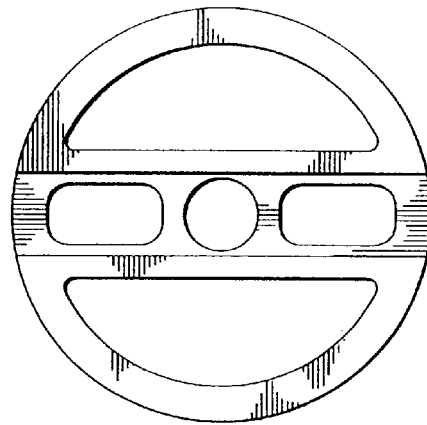


FIG. 3

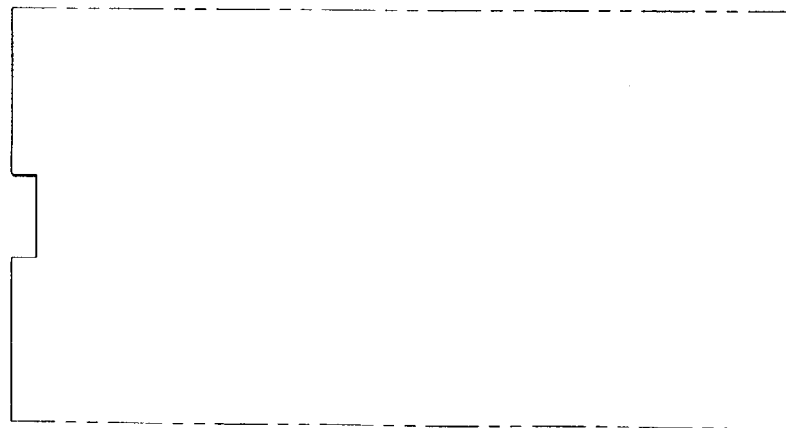


FIG. 4

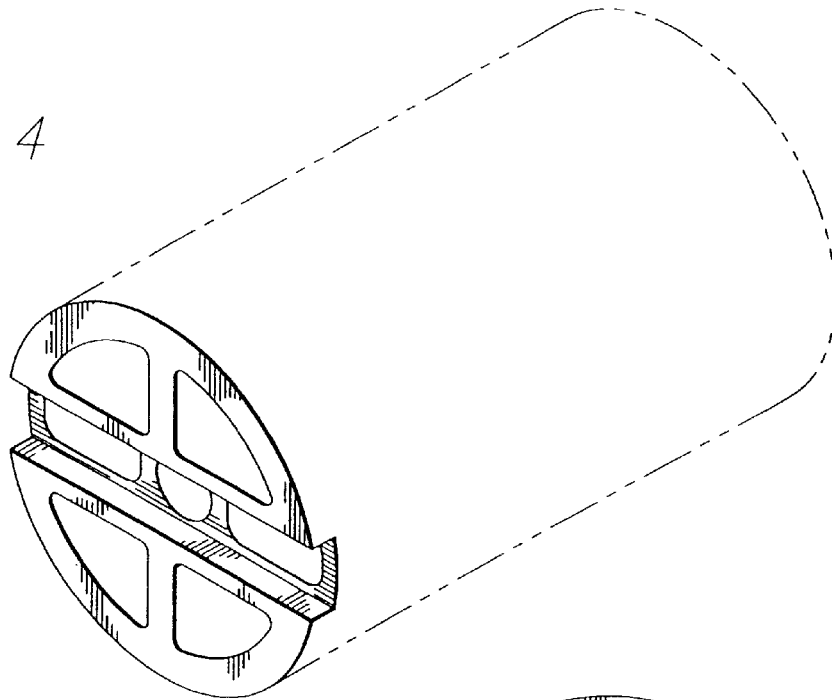


FIG. 5

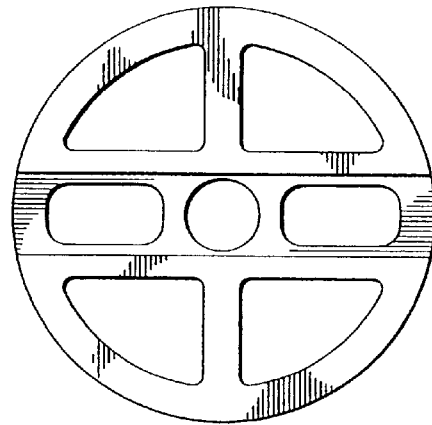


FIG. 6

