



US006758849B1

(12) **United States Patent**
Michelson

(10) **Patent No.:** **US 6,758,849 B1**
(45) **Date of Patent:** ***Jul. 6, 2004**

(54) **INTERBODY SPINAL FUSION IMPLANTS**

(75) Inventor: **Gary Karlin Michelson**, Venice, CA (US)

(73) Assignee: **SDGI Holdings, Inc.**, Wilmington, DE (US)

(*) Notice: Subject to any disclaimer, the term of this patent is extended or adjusted under 35 U.S.C. 154(b) by 269 days.

This patent is subject to a terminal disclaimer.

(21) Appl. No.: **09/641,865**

(22) Filed: **Aug. 18, 2000**

Related U.S. Application Data

(63) Continuation of application No. 08/723,597, filed on Oct. 1, 1996, now Pat. No. 6,123,705, which is a continuation of application No. 08/482,837, filed on Jun. 7, 1995, now abandoned, which is a continuation of application No. 08/390,131, filed on Feb. 17, 1995, now Pat. No. 5,593,409.

(51) **Int. Cl.**⁷ **A61B 17/56**

(52) **U.S. Cl.** **606/61; 623/17.1**

(58) **Field of Search** 606/60, 61; 623/17.1, 623/17.11, 16.1

(56) **References Cited**

U.S. PATENT DOCUMENTS

350,420 A	10/1886	Dillon
1,137,585 A	4/1915	Craig
2,065,659 A	12/1936	Cullen
2,181,746 A	11/1939	Siebrandt
2,243,718 A	5/1941	De G. Moreira
2,372,622 A	3/1945	Fassio
2,514,665 A	7/1950	Myller
2,537,070 A	1/1951	Longfellow
2,543,780 A	3/1951	Hipps et al.
2,677,369 A	5/1954	Knowles
2,774,350 A	12/1956	Cleveland
2,789,558 A	4/1957	Rush

(List continued on next page.)

FOREIGN PATENT DOCUMENTS

DE	1961531	7/1970
DE	24 46 039	4/1975
DE	D. 3132520 A1	6/1982
DE	D. 3505567	6/1986
DE	D. 3505567 A1	6/1986
DE	36 08 163 A1	9/1987

(List continued on next page.)

OTHER PUBLICATIONS

Adams, et al.; Outline of Orthopaedics, Eleventh Edition; Trunk and Spine, p. 194.

Albrektsson, T., et al.; Osseointegrated Titanium Implants; Acta. Orthop. Scand.; vol. 52:155-170 (1981).

Bagby, George W.; Wobbler Syndrome in Horses (the Ataxic Horse); Spokane County Medical Society Bulletin; Spring 1979.

(List continued on next page.)

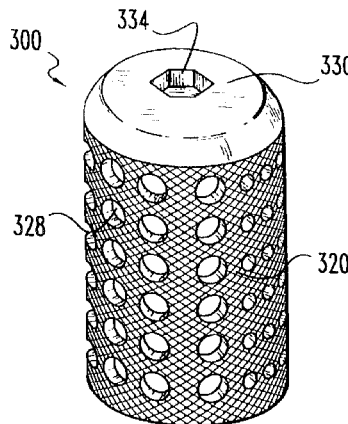
Primary Examiner—Michael A. Brown

(74) *Attorney, Agent, or Firm*—Martin & Ferraro, LLP

(57) **ABSTRACT**

The present invention discloses a spinal fusion implant that is at least partially cylindrical, made of material appropriate for human implantation and having preferably, but not necessarily, one closed end and one end capable of being closed, such that an internal chamber can be filled and hold any natural or artificial osteoconductive, osteoinductive, osteogenic, or other fusion enhancing material. The partially cylindrical implant directly participates and is incorporated in the ensuing fusion. In the preferred embodiment, the implant of the present invention relies on surface roughenings of the outer surface to enhance its stability and resist dislodgement from within the disc space between two adjacent vertebrae. The implant of the present invention incorporates at its rear end, an engagement means to facilitate insertion or extraction of the implant. The implant may be filled with, coated with, and/or composed of, fusion promoting substances. Finally, the implant of the present invention does not require rotation for its insertion and can be seated by linear advancement.

84 Claims, 11 Drawing Sheets



U.S. PATENT DOCUMENTS								
2,832,343	A	4/1958	Mose	4,492,226	A	1/1985	Belykh et al.	
2,842,131	A	7/1958	Smith	4,497,320	A	2/1985	Nicholson et al.	
2,878,809	A	3/1959	Treace	4,501,269	A	* 2/1985	Bagby	128/92 G
3,128,768	A	4/1964	Geistauts	4,507,115	A	3/1985	Kambara et al.	
3,298,372	A	1/1967	Feinberg	RE31,865	E	4/1985	Roux	
3,426,364	A	2/1969	Lumb	4,526,909	A	7/1985	Urist	
3,486,505	A	12/1969	Morrison	4,530,360	A	7/1985	Duarte	
3,604,487	A	9/1971	Gilbert	4,535,374	A	8/1985	Anderson et al.	
3,605,123	A	9/1971	Hahn	4,535,485	A	8/1985	Ashman et al.	
3,618,611	A	11/1971	Urban	4,542,539	A	9/1985	Rowe, Jr. et al.	
3,709,219	A	1/1973	Halloran	4,545,374	A	10/1985	Jacobson	
3,720,959	A	3/1973	Hahn	4,547,390	A	10/1985	Ashman et al.	
3,750,652	A	8/1973	Sherwin	4,549,547	A	10/1985	Brighton et al.	
3,848,601	A	11/1974	Ma et al.	4,552,200	A	11/1985	Sinha et al.	
3,855,638	A	12/1974	Pilliar	4,553,273	A	11/1985	Wu	
3,867,728	A	2/1975	Stubstad et al.	4,554,914	A	11/1985	Kapp et al.	
3,867,950	A	2/1975	Fischell	D281,814	S	12/1985	Pratt et al.	
3,875,595	A	4/1975	Froning	4,563,489	A	1/1986	Urist	
3,888,260	A	6/1975	Fischell	4,570,623	A	2/1986	Ellison et al.	
3,892,232	A	7/1975	Neufeld	4,570,624	A	2/1986	Wu	
3,905,047	A	9/1975	Long	4,592,346	A	6/1986	Jurgutis	
3,915,151	A	10/1975	Kraus	4,596,574	A	6/1986	Urist	
3,916,907	A	11/1975	Peterson	4,599,086	A	7/1986	Doty	
3,918,440	A	11/1975	Kraus	4,600,000	A	7/1986	Edwards	
3,942,535	A	3/1976	Schulman	4,602,638	A	7/1986	Adams	
3,948,262	A	4/1976	Zaffaroni	4,604,995	A	8/1986	Stephens	
3,952,334	A	4/1976	Bokros et al.	4,608,052	A	8/1986	Van Kampen et al.	
3,987,499	A	10/1976	Scharbach et al.	4,611,581	A	9/1986	Steffee	
4,016,651	A	4/1977	Kawahara et al.	4,619,264	A	10/1986	Singh	
4,027,392	A	6/1977	Sawyer et al.	4,619,989	A	10/1986	Urist	
D245,259	S	8/1977	Shen	4,628,921	A	12/1986	Rouso	
4,051,905	A	10/1977	Kleine	4,634,720	A	1/1987	Dorman et al.	
4,059,115	A	11/1977	Jumashev et al.	4,636,217	A	1/1987	Ogilvie et al.	
4,070,514	A	1/1978	Entherly et al.	4,636,526	A	1/1987	Dorman et al.	
4,082,097	A	4/1978	Mann et al.	4,645,503	A	2/1987	Lin et al.	
4,086,701	A	5/1978	Kawahara et al.	4,653,486	A	3/1987	Coker	
4,124,026	A	11/1978	Berner et al.	4,653,509	A	3/1987	Oloff et al.	
4,142,517	A	3/1979	Stavropoulos et al.	4,655,777	A	4/1987	Dunn	
4,168,326	A	9/1979	Broemer et al.	4,661,536	A	4/1987	Dorman et al.	
4,175,555	A	11/1979	Herbert	4,664,567	A	5/1987	Edwards	
4,177,524	A	12/1979	Grell et al.	4,665,920	A	5/1987	Campbell	
4,181,457	A	1/1980	Holmes	4,677,883	A	7/1987	Lee	
4,197,850	A	4/1980	Schulman et al.	4,677,972	A	7/1987	Tornier	
4,206,516	A	6/1980	Pilliar	4,693,721	A	9/1987	Ducheyne	
4,222,128	A	9/1980	Tomonaga et al.	4,696,290	A	9/1987	Steffee	
D257,511	S	11/1980	Zahn	4,698,375	A	10/1987	Dorman et al.	
4,232,679	A	11/1980	Schulman	4,710,075	A	12/1987	Davison	
4,237,948	A	12/1980	Jones et al.	4,713,004	A	12/1987	Linkow et al.	
4,258,716	A	3/1981	Sutherland	4,714,469	A	12/1987	Kenna	
4,259,072	A	3/1981	Hirabayashi et al.	4,721,103	A	1/1988	Freedland	
4,262,369	A	4/1981	Roux	4,736,738	A	4/1988	Lipovsek et al.	
4,271,832	A	6/1981	Evans et al.	4,743,256	A	5/1988	Brantigan	
D260,525	S	9/1981	Lassiter	4,743,260	A	5/1988	Burton	
4,289,123	A	9/1981	Dunn	4,759,766	A	7/1988	Buettner-Janz et al.	
4,293,962	A	10/1981	Fuson	4,759,769	A	7/1988	Hedman et al.	
4,294,753	A	10/1981	Urist	4,761,471	A	8/1988	Urist	
4,309,777	A	1/1982	Patil	4,769,881	A	9/1988	Pedigo et al.	
4,328,593	A	5/1982	Sutter et al.	4,781,591	A	11/1988	Allen	
4,333,469	A	6/1982	Jeffcoat et al.	4,789,732	A	12/1988	Urist	
4,341,206	A	7/1982	Perrett et al.	4,790,303	A	12/1988	Steffee	
4,349,921	A	9/1982	Kuntz	4,795,804	A	* 1/1989	Urist	530/350
4,356,572	A	11/1982	Guillemin et al.	4,805,602	A	2/1989	Puno et al.	
4,401,112	A	8/1983	Rezaian	4,820,305	A	4/1989	Harms et al.	
4,405,319	A	9/1983	Cosentino	4,830,000	A	5/1989	Shutt	
4,414,979	A	11/1983	Hirshorn et al.	4,834,757	A	* 5/1989	Brantigan	623/17
4,423,721	A	1/1984	Otte et al.	4,848,327	A	7/1989	Perdue	
4,439,152	A	3/1984	Small	4,851,008	A	7/1989	Johnson	
4,450,834	A	5/1984	Fischer	4,857,456	A	8/1989	Urist	
4,455,256	A	6/1984	Urist	4,863,476	A	9/1989	Shepperd	
4,484,570	A	11/1984	Sutter et al.	4,863,477	A	9/1989	Monson	
				4,865,603	A	9/1989	Noiles	

4,877,020 A 10/1989 Vich
 4,878,915 A * 11/1989 Brantigan 623/17
 4,903,882 A 2/1990 Long
 4,904,260 A 2/1990 Ray et al.
 4,904,261 A * 2/1990 Dove 623/17
 4,911,718 A 3/1990 Lee et al.
 4,913,144 A 4/1990 Del Medico
 4,936,848 A 6/1990 Bagby
 4,943,291 A 7/1990 Tanguy
 4,955,885 A 9/1990 Meyers
 4,955,908 A 9/1990 Frey et al.
 4,957,495 A 9/1990 Kluger
 4,960,420 A 10/1990 Goble et al.
 4,961,740 A 10/1990 Ray et al.
 4,968,316 A 11/1990 Hergenroeder
 4,969,888 A 11/1990 Scholten et al.
 4,987,904 A 1/1991 Wilson
 5,015,247 A 5/1991 Michelson
 5,015,255 A 5/1991 Kuslich
 5,026,373 A 6/1991 Ray et al.
 5,030,236 A 7/1991 Dean
 5,055,104 A 10/1991 Ray
 5,059,193 A 10/1991 Kuslich
 5,062,845 A 11/1991 Kuslich et al.
 5,071,437 A 12/1991 Steffee
 5,084,050 A 1/1992 Draenert
 5,102,414 A 4/1992 Kirsch
 5,105,819 A 4/1992 Wollschläger et al.
 5,108,422 A 4/1992 Green et al.
 5,112,336 A 5/1992 Krevolin et al.
 5,116,304 A 5/1992 Cadwell
 5,122,130 A 6/1992 Keller
 5,123,926 A 6/1992 Pisharodi
 5,171,278 A 12/1992 Pisharodi
 5,192,327 A 3/1993 Brantigan
 5,246,458 A 9/1993 Graham
 5,258,031 A 11/1993 Salib et al.
 5,263,953 A 11/1993 Bagby
 5,292,252 A 3/1994 Nickerson et al.
 5,306,307 A 4/1994 Senter et al.
 5,306,309 A 4/1994 Wagner et al.
 5,314,427 A 5/1994 Goble et al.
 5,324,295 A 6/1994 Shapiro
 5,352,229 A 10/1994 Goble et al.
 5,360,430 A 11/1994 Lin
 5,364,399 A 11/1994 Lowery et al.
 5,370,662 A 12/1994 Stone et al.
 5,370,697 A 12/1994 Baumgartner
 5,393,036 A 2/1995 Sheridan
 RE34,871 E 3/1995 McGuire et al.
 5,395,372 A 3/1995 Holt et al.
 5,396,880 A 3/1995 Kagan et al.
 5,397,364 A 3/1995 Kozak et al.
 5,405,390 A 4/1995 O'Leary et al.
 5,425,772 A 6/1995 Brantigan
 5,435,723 A 7/1995 O'Brien
 5,441,527 A 8/1995 Erickson et al.
 5,443,514 A 8/1995 Steffee
 5,458,638 A 10/1995 Kuslich et al.
 5,489,307 A 2/1996 Kuslich et al.
 5,489,308 A 2/1996 Kuslich et al.
 D368,777 S 4/1996 Goble et al.
 5,514,180 A 5/1996 Heggeness et al.
 5,571,109 A 11/1996 Bertagnoli
 5,571,189 A 11/1996 Kuslich
 5,593,409 A 1/1997 Michelson
 5,609,636 A 3/1997 Kohrs et al.
 5,645,598 A 7/1997 Brosnahan, III
 5,658,337 A 8/1997 Kohrs et al.
 5,683,463 A 11/1997 Godefroy et al.
 5,766,252 A 6/1998 Henry et al.

D397,439 S 8/1998 Koros et al.
 5,800,547 A 9/1998 Schäfer et al.
 6,123,705 A 9/2000 Michelson

FOREIGN PATENT DOCUMENTS

DE D. 41 04 359 A1 8/1992
 EP 0 077 159 4/1983
 EP 0 162 005 11/1985
 EP 0 260 044 3/1988
 EP 0 303 241 A2 2/1989
 EP 0 307 241 3/1989
 EP 0 499 465 A1 8/1992
 EP 0 551 187 A1 7/1993
 EP 0 577 179 A1 1/1994
 EP 0 599 419 A2 6/1994
 EP 0 627 204 A2 12/1994
 EP 0 637 440 B1 10/1997
 ES 283078 5/1985
 FR 2 295 729 7/1976
 FR 0 179 695 4/1986
 FR 2 581 336 11/1986
 FR 2 703 580 10/1994
 GB 2076657 A 12/1981
 GB 2082754 A 3/1982
 GB 2126094 A 3/1984
 GB 2164277 A 3/1986
 JP 57-29348 2/1982
 JP 60-31706 2/1985
 JP 60-43984 3/1985
 JP 61-122859 6/1986
 JP 62-155846 7/1987
 RU 1107854 8/1984
 RU 1124960 11/1984
 RU 1217374 3/1986
 RU 1222254 4/1986
 SE 106 101 7/1939
 WO 84/01298 4/1984
 WO 91/06266 5/1991
 WO 92/14423 9/1992
 WO 93/01771 2/1993
 WO 9508964 4/1995
 WO 9622747 8/1996

OTHER PUBLICATIONS

Bagby, G.W.; Arthrodesis by the Distraction-Compression Method Using a Stainless Steel Implant; Orthopedics, vol. II, No. 6, pp. 931-34 (Jun. 1987).
 Bagby, G.W.; Basket Implant Facilitates Spinal Fusion; Orthopedics Today, vol. 7, No. 10, (Oct. 1987).
 Brandt., et al.; A Dowel Inserter for Anterior Cervical Interbody Fusion; J. Neurosurg. 61:793-794 (Oct. 1984).
 Butts, M. K., et al.; Biomechanical Analysis of a New Method for Spinal Interbody Fixation; 1987 Symposium, American Society of Mechanical Engineers, "Advances in Bioengineering", Boston, MA (Dec.13-18, 1987).
 Crawley et al.; A Modified Cloward's Technique for Arthrodesis of the Normal Metacarpophalangeal Joint in the Horse; Veterinary Surgery, vol. 17 No. 3, pp. 117-127 (1988).
 Crock, H. V.; Practice of Spinal Surgery; Springer-Verlag/Wien, New York (1983).
 DeBowes, R.M., et al.; Study of Bovine . . . Steel Baskets; Transactions of the 29th Annual Meeting; Orthopaedic Research Society, vol. 8, p. 407, Mar. 8-10 (1983).
 Fusion of the Lumbar Spine; Anterior Monosegmental Fusion L5-S1, Atlas of Spinal Operations, Thieme, pp. 270-274(1993).

- Gillingham, F.J., et al.; Automatic Patient Monitoring in the Ward; *Brit. J. Surg.*, vol. 53, No. 10, pp. 864–866 (Oct. 1966).
- Gillingham, F.J., et al.; Head injuries; Proceedings of the 18th World Congress of the International College of Surgeons, Rome, pp. 68–71 (May 28–31, 1972).
- Goldthwaite, N., et al.; Toward Percutaneous Spine Fusion; Ch. 45; *Lumber Spine Surgery*; C.V. Mosby Company, pp. 512–522 (1987).
- Harris, P., et al.; Spinal Deformity After Spinal Cord Injury; *Paraplegia*, vol. 6, No. 4, pp. 232–238 (Feb. 1969).
- Herkowitz et al.; Principles of Bone Fusion; *The Spine*, Third Edition; Chapter 44, p. 1739.
- Itoman, M., et al.; Banked Bone Grafting for Bone Defect Repair—Clinical Evaluation of Bone Union and Graft Incorporation; *J. Jpn. Orthop. Assoc.* 62:461–469 (1988).
- Kane, W.J.; Direct Current Electrical Bone Growth Stimulation for Spinal Fusion; *Spine*, vol. 13, No. 3, pp. 363–365 (Mar. 1988).
- Lumbar Spine Surgery, Techniques & Complications; History of Lumbar Spine Surgery* (1994) pp. 11–15; 27; 30; 35–45; 265–268.
- Maloney, A.F.J., et al.; Clinical and Pathological Observations in Fatal Head Injuries, *Brit. J. Surg.*, vol. 56, No. 1, pp. 23–31 (Jan. 1969).
- Morscher, E., et al.; Die Vordere Verpultung der Halswirbelsäule mit dem Hohlschrauben-Plattensystem aus Titanium, *Der Chirurg*, vol. 57, pp. 702–707 (1986) with English Translation.
- Muschler, et al.; The Biology of Spinal Fusion; *spinal fusion Science and Technique*, Cotler and Cotler, pp. 9–13.
- Mylonas, C., et al.; Anterior Cervical Decompression and Fusion Using the Coventry Cervical Spreader and Dowel Inserter; *British Journal of Neurosurgery*, 7:545–549 (1993).
- O'Neill, P., et al.; Spinal Meningoceles in Association with Neurofibromatosis; *Neurosurgery*, vol. 13, No. 1, pp. 82–84 (Jul. 1983).
- Otero-Vich, Jose M.; Anterior Cervical Interbody Fusion Threaded Cylindrical Bone; *J. Neurosurg* 63:750–753 (Nov. 1985).
- Rathke, F.W., et al.; *Surgery of the Spine; Atlas of Orthopaedic Operations*, vol. 1, p. 137, W.B. Saunders Co., Philadelphia (1979).
- Raveh, J., et al.; Neue Rekonstruktionsmöglichkeiten des Unterkiefers bei knöchernen Defekten nach Tumorresektionen; *Der Chirurg* vol. 53:459–467 (1982).
- Raveh, J., et al.; Use of the Titanium-coated Hollow Screw and Reconstruction Plate System in Bridging of Lower Jaw Defects; *J. Oral Maxillofac Surg.* 42:281–294 (1984).
- Raveh, J., et al.; Surgical Procedures for Reconstruction of the Lower Jaw Using the Titanium-Coated Hollow-Screw Reconstruction Plate System: Bridging of Defects; *Otolaryngologic Clinics of North America*; vol. 20, No. 3 (Aug. 1987).
- Schmitz et al.; Performance of Alloplastic Materials and Design of an Artificial Disc; *The Artificial Disc*, Brock, Mayer, Weigel; pp. 23–34 (1991).
- Spine Basics*, Danek Group, Inc., Glossary (1993).
- The SpF-T Spinal Fusion Stimulator: An Efficacious Adjunct that Meets the Diverse Needs of Spine Patients; *EBI Medical Systems*; (Aug. 1991).
- The Use of Direct Current for Electrically Induced Osteogenesis; The Positive Effect of an Electronegative charge on Bone Growth; *EBI Medical Systems* (Feb. 1993).
- Whatmore, W.J.; Sincipital Encephalomenigeoceles; *Brit. J. Surg.*, vol. 60, No. 4, pp. 261–270 (Apr. 1973).
- Whatmore, W. J.; Meningioma Following Trauma; *Brit. J. Surg.*, vol. 60, No. 6, pp. 496–498 (Jun. 1973).
- Whatmore, W.J., et al.; The Coventry Cervical Spreader and Dowel Inserter; *ACTA Neurochirurgica*, vol. 70, FASC. 1–2 (1984).
- Whatmore, W.J.; Proceedings of the Society of British Neurological Surgeons; *Journal of Neurology, Neurosurgery, and Psychiatry*, 50:1093–1100 (1987).
- Zindrick, et al.; *Lumber Spine Fusion: Different Types and Indications*; *The Lumbar Spine*, vol. 1, Second Edition, pp. 588–593 (1996).

* cited by examiner

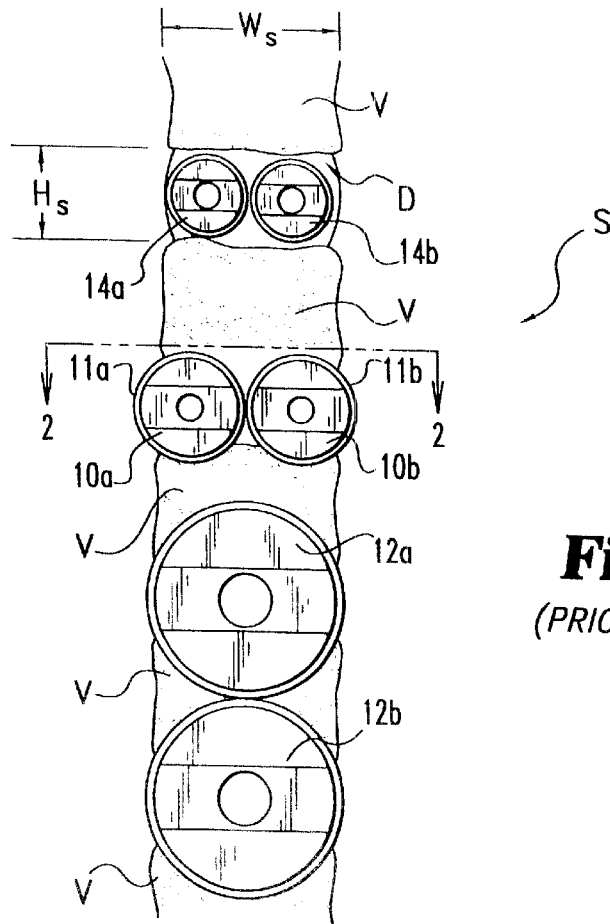


Fig. 1
(PRIOR ART)

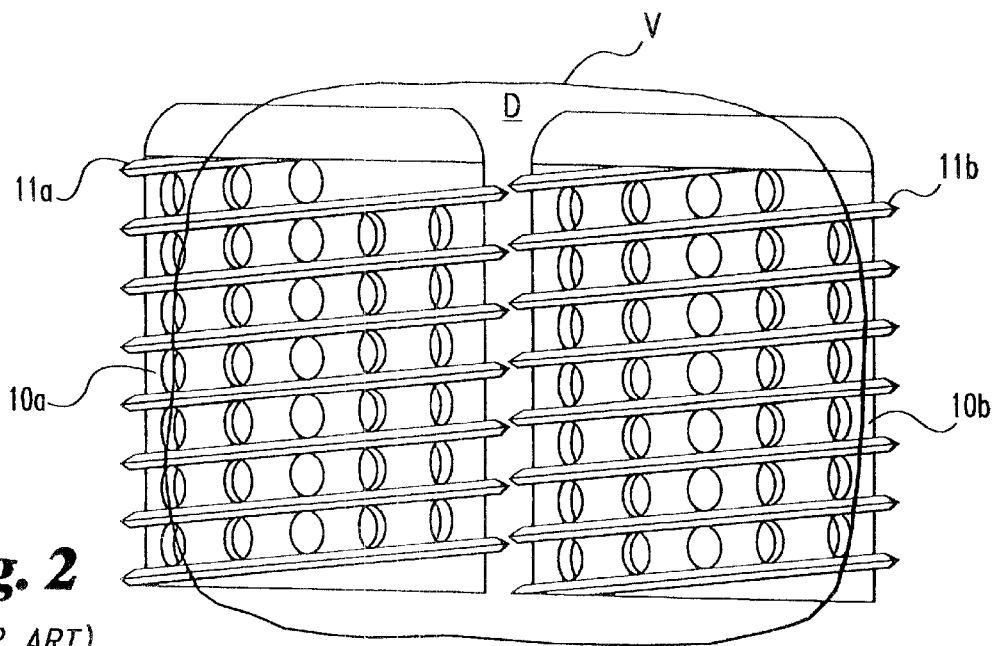


Fig. 2
(PRIOR ART)

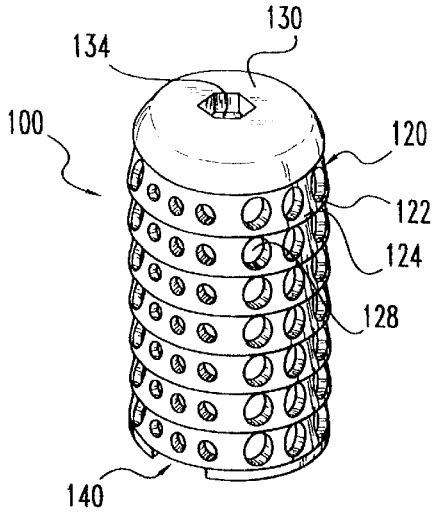


Fig. 3

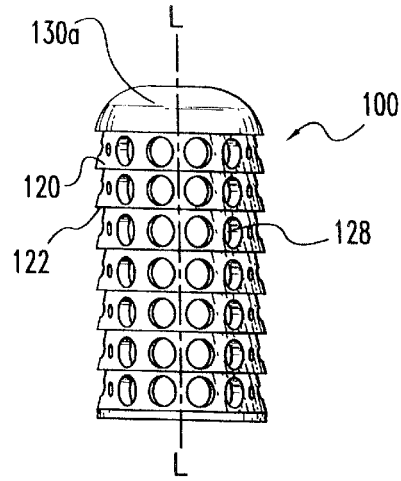


Fig. 4

Fig. 7

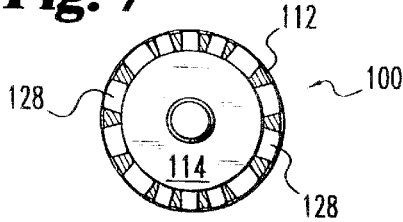


Fig. 6

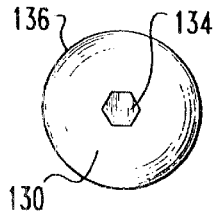
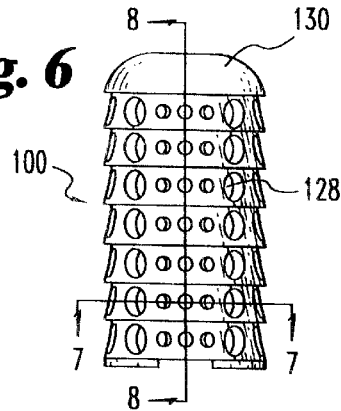


Fig. 9

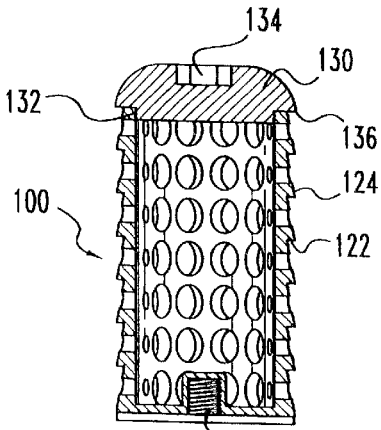


Fig. 8

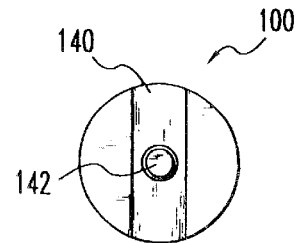


Fig. 10

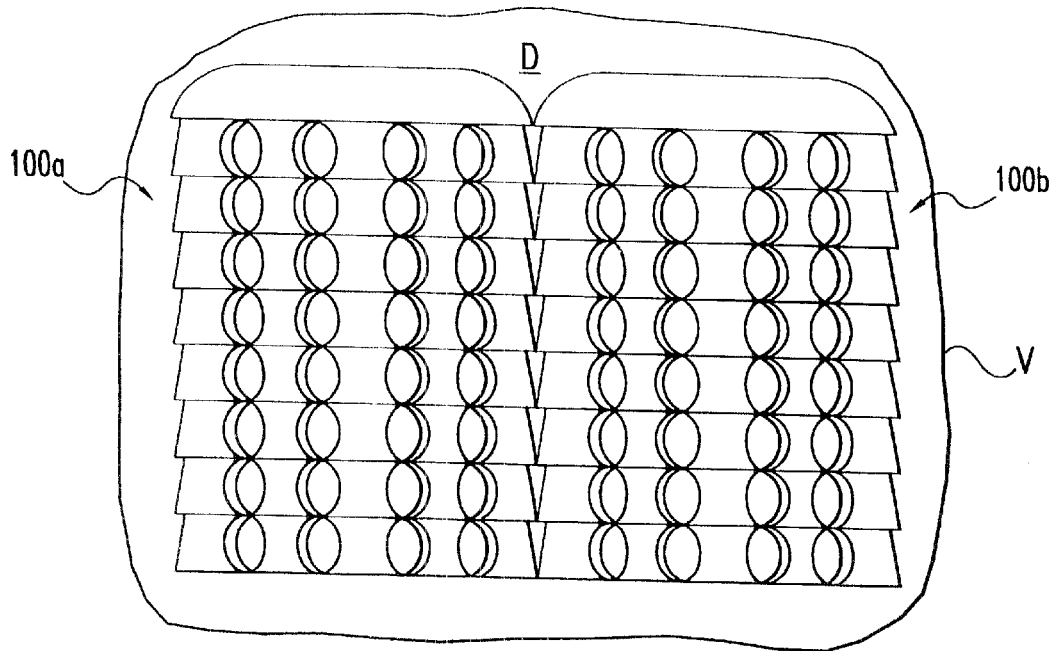


Fig. 5

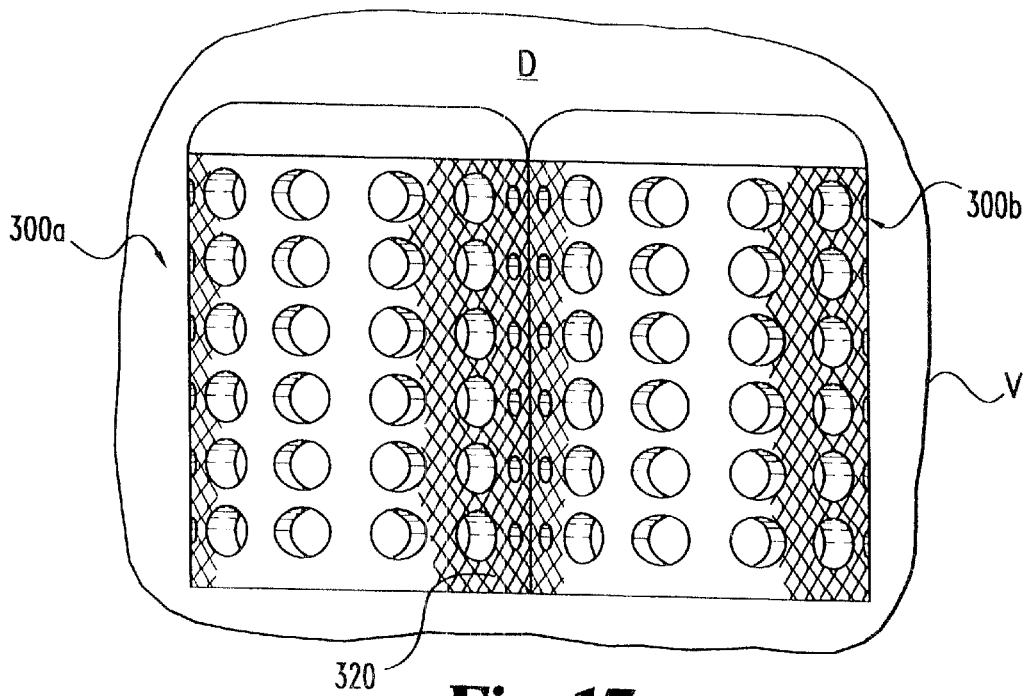


Fig. 17

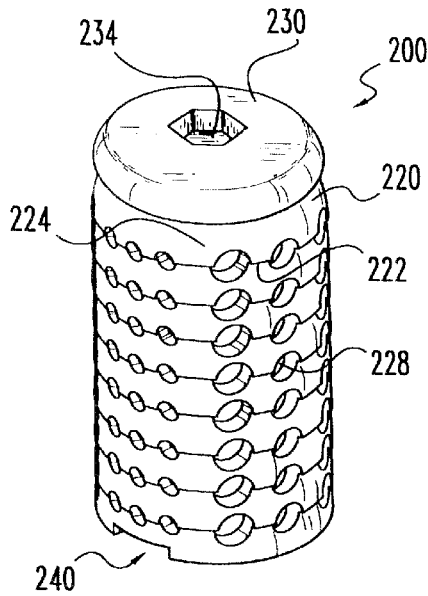


Fig. 11

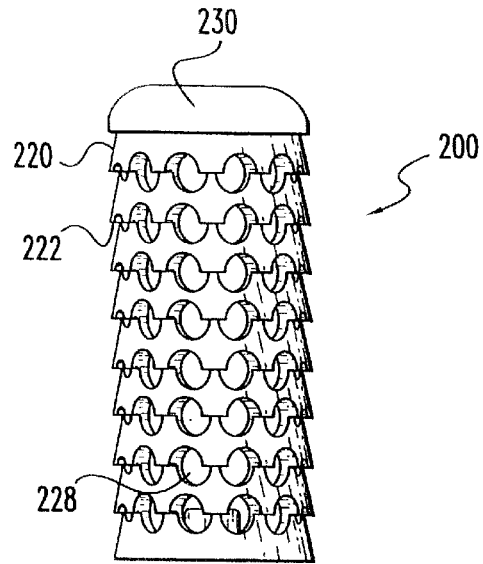


Fig. 12

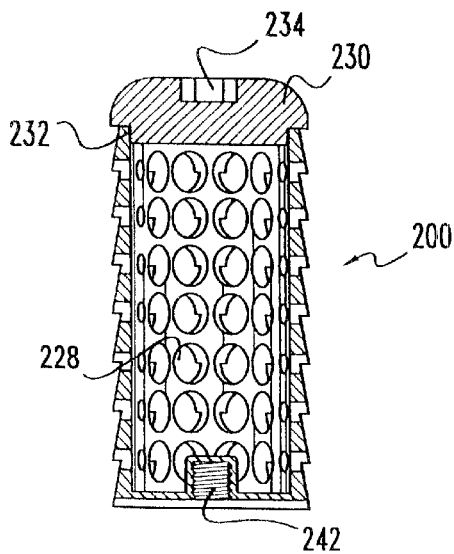


Fig. 14

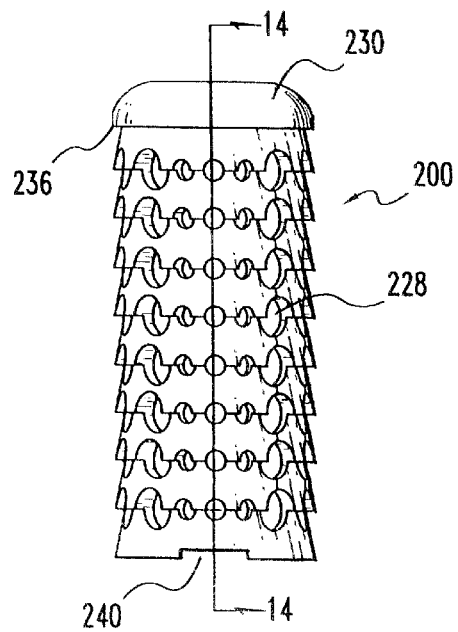


Fig. 13

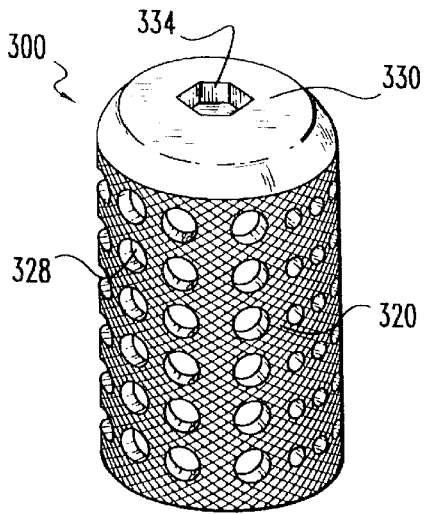


Fig. 15

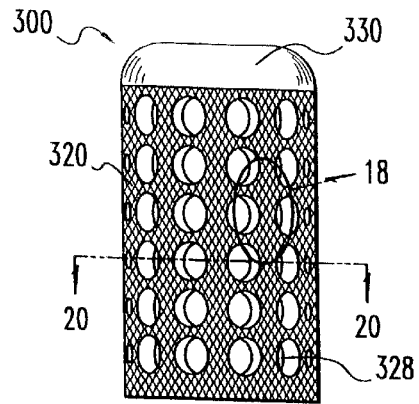


Fig. 16

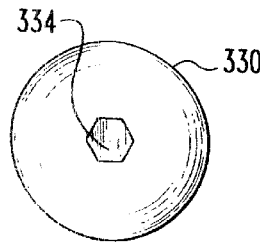


Fig. 21

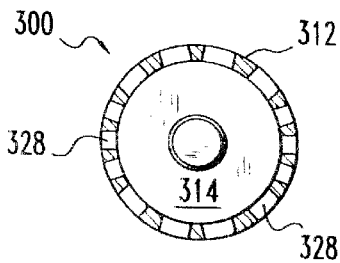


Fig. 20

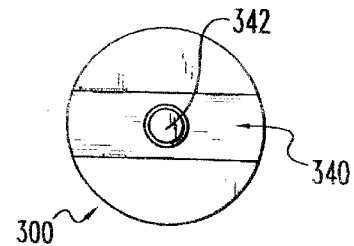


Fig. 22

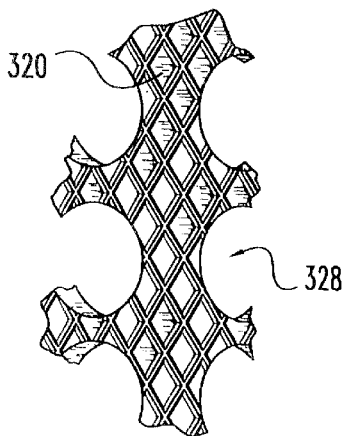


Fig. 18

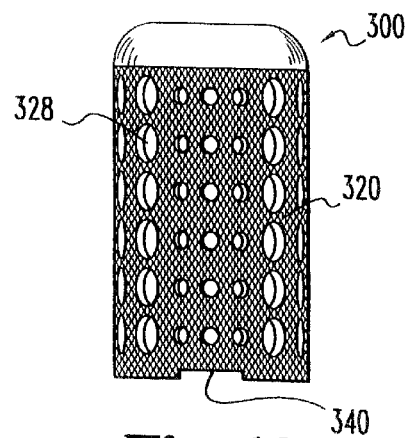


Fig. 19

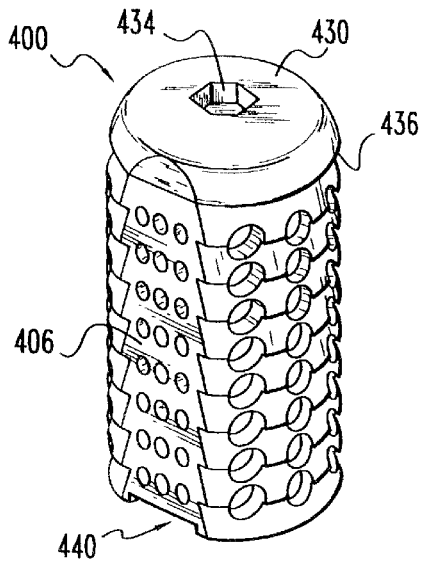


Fig. 23

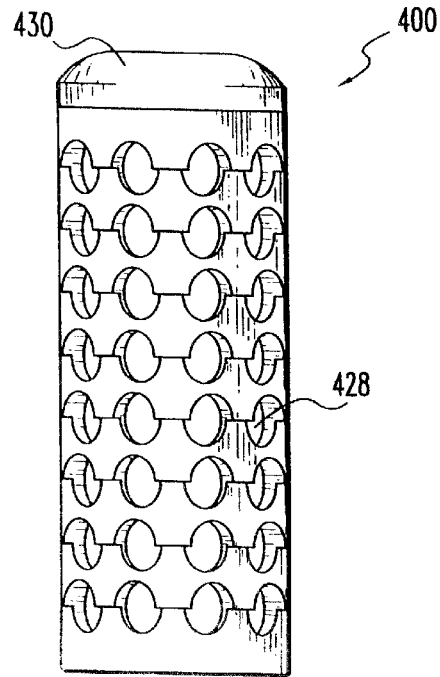


Fig. 24

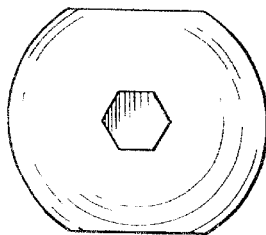


Fig. 27

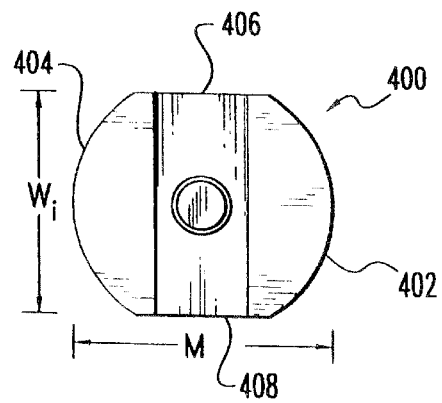


Fig. 28

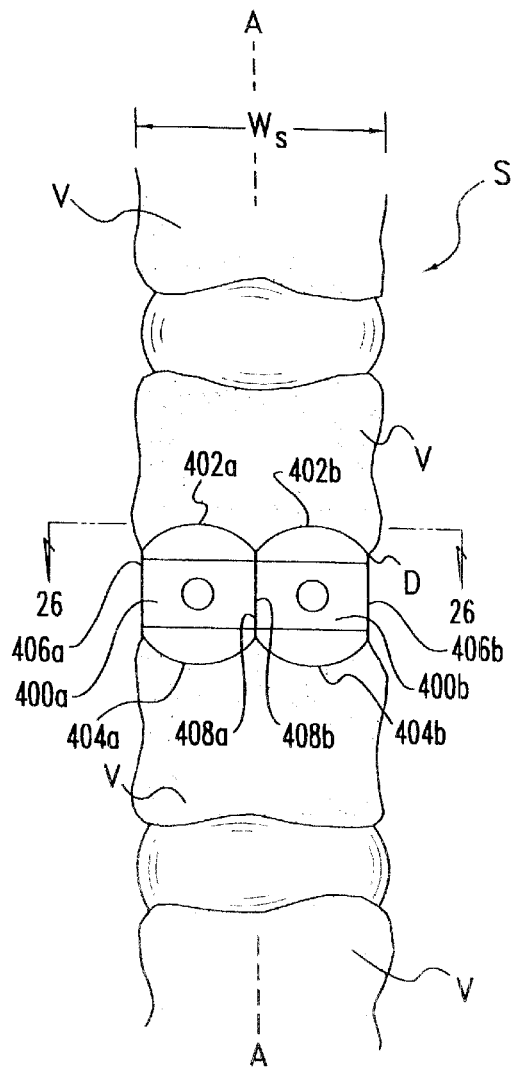


Fig. 25

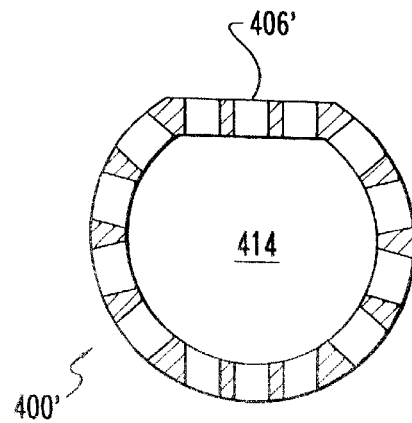


Fig. 30A

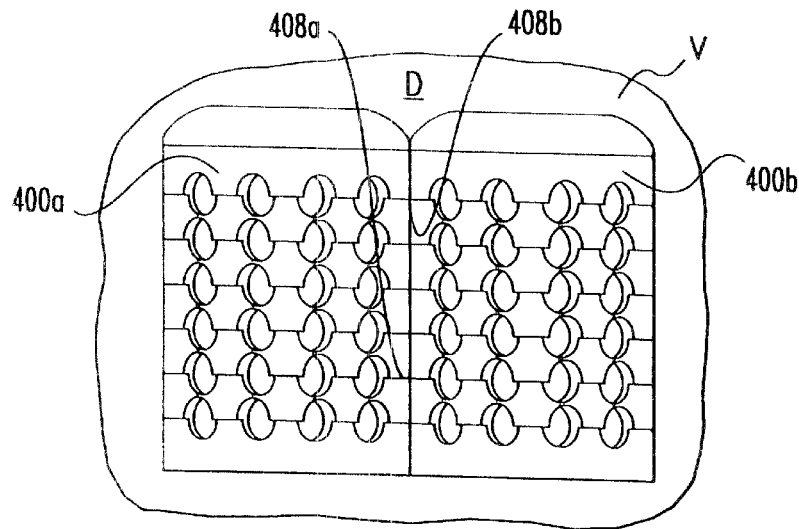


Fig. 26

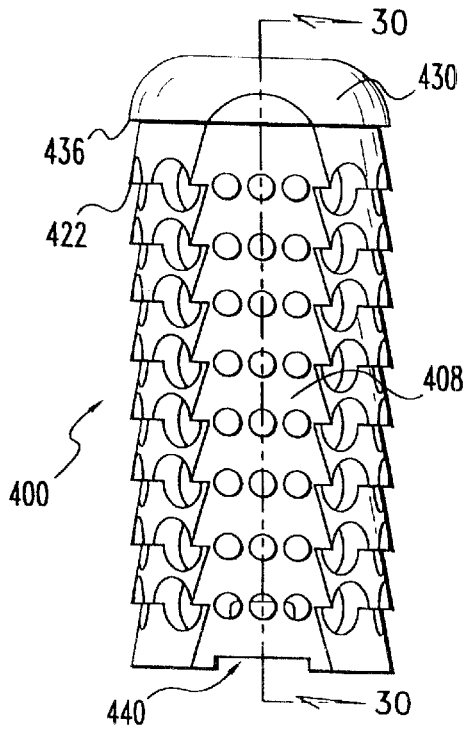


Fig. 29

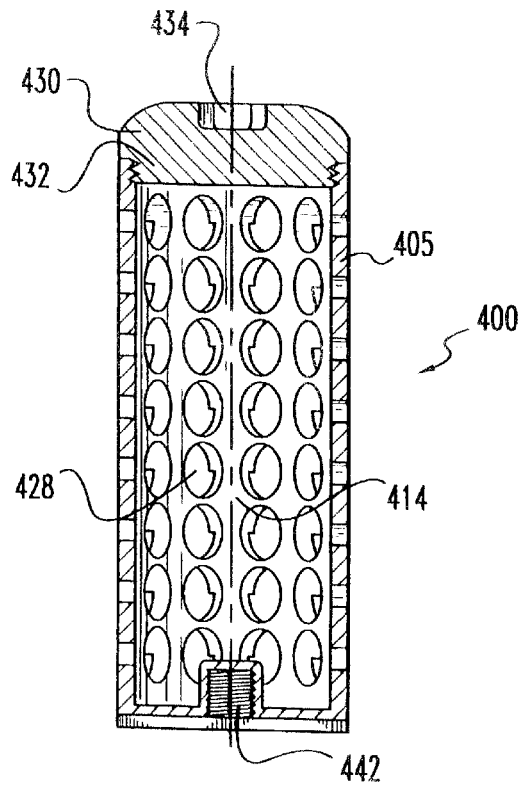


Fig. 30

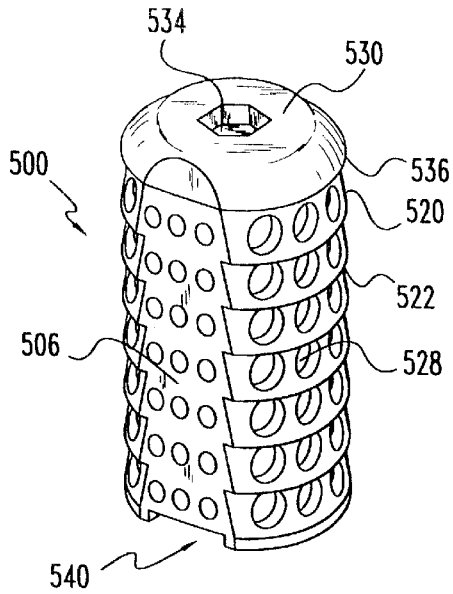


Fig. 31

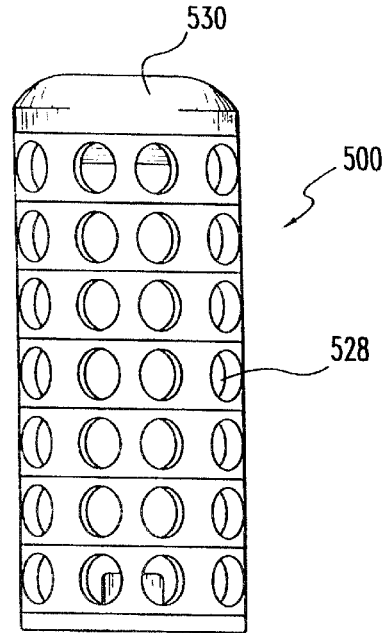


Fig. 32

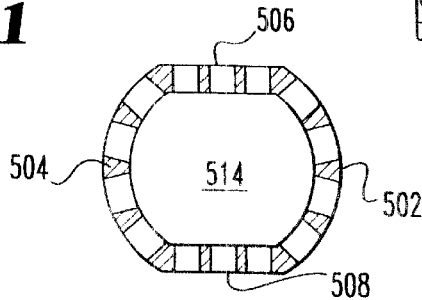


Fig. 35

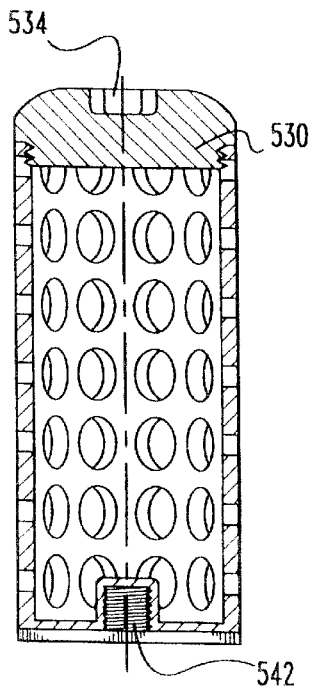


Fig. 34

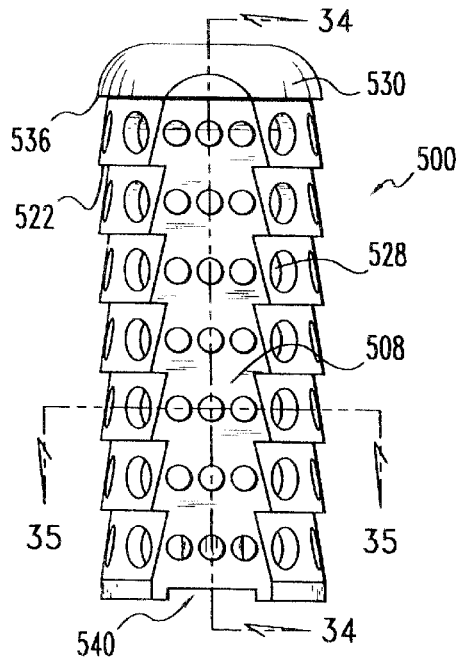


Fig. 33

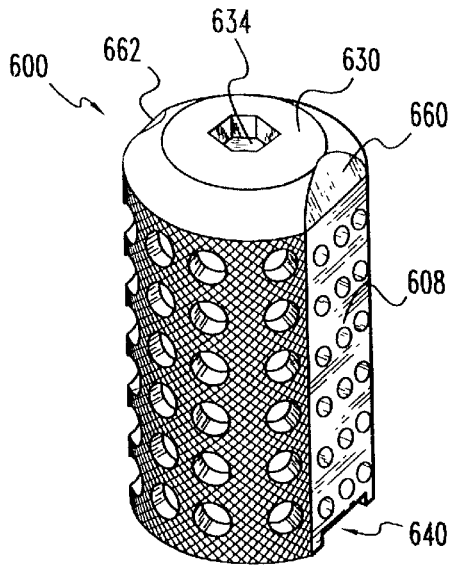


Fig. 36

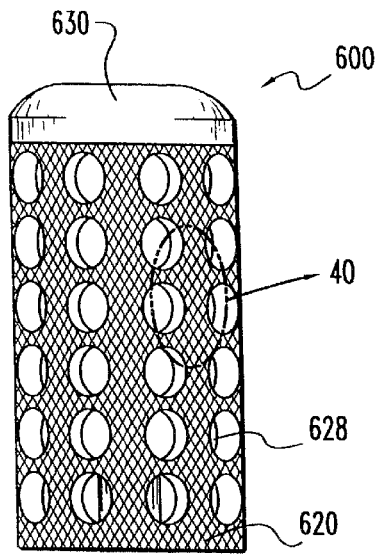


Fig. 37

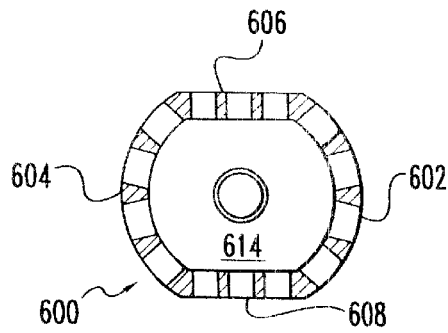


Fig. 39

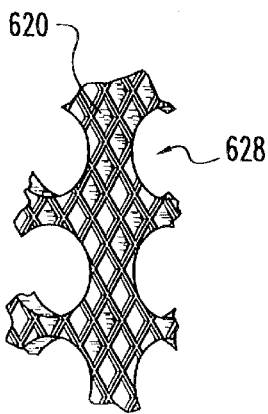


Fig. 40

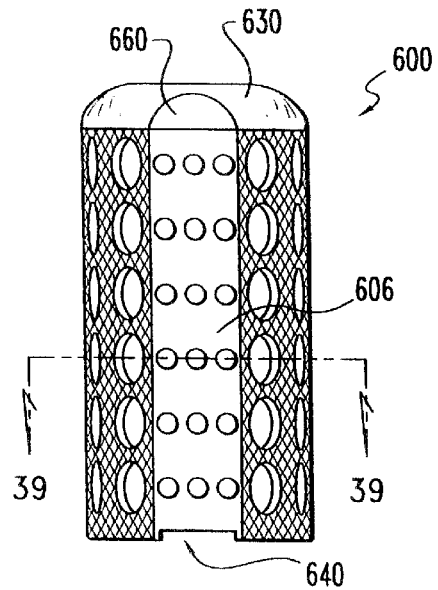


Fig. 38

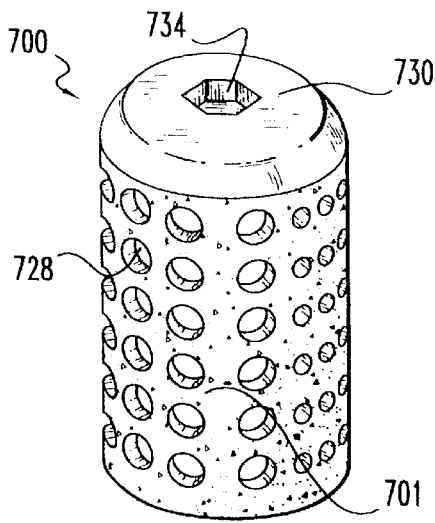


Fig. 41

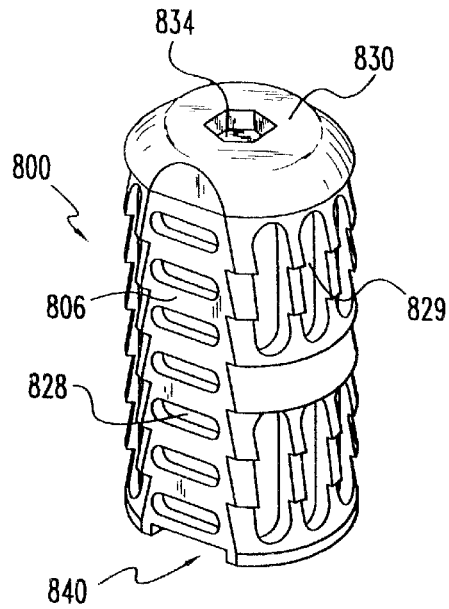


Fig. 42

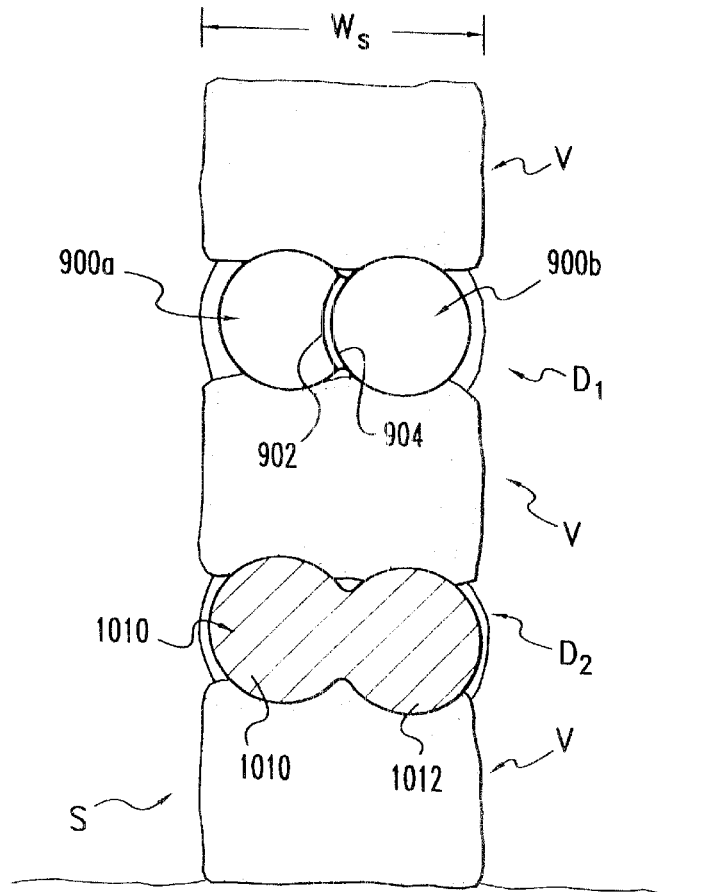


Fig. 43

INTERBODY SPINAL FUSION IMPLANTS

RELATED APPLICATIONS

This is a continuation of application Ser. No. 08/723,597, filed Oct. 1, 1996; now U.S. Pat. No. 6,123,205 which is a continuation of application Ser. No. 08/482,837, filed Jun. 7, 1995, now abandoned, which is a continuation of application Ser. No. 08/390,131, filed Feb. 17, 1995, now U.S. Pat. No. 5,593,409, all of which are incorporated herein by reference.

BACKGROUND

1. Field of the Invention

The present invention relates to artificial spinal fusion implants to be placed across the intervertebral space left after the removal of a damaged spinal disc, and in particular to an improved, at least partially cylindrical, spinal fusion implant for implantation where two threaded cylindrical implants of requisite height would not fit within the transverse width of the spine.

2. Description of the Related Art

In the past, Cloward, Wilterberger, Crock, Viche, Bagby, Brantigan, Michelson and others have taught various methods involving the drilling of holes across the disc space between two adjacent vertebrae of the spine for the purpose of causing an interbody spinal fusion. Cloward taught placing a dowel of bone within that drilled hole for the purpose of bridging the defect and to be incorporated into the fusion. Viche taught the threading of that bone dowel. Bagby taught the placing of the bone graft into a metal bucket otherwise smooth on its surface, except for rows of radially placed holes communicative to the interior of the basket and to the bone graft. The Bagby device was disclosed as capable of being used in a horse. Brantigan taught the use of inert blocks preferably made of metal and having that metal at its external surface imitate the porosity of bone. Brantigan theorized that the bone dowel could be replaced entirely with a metal plug, that, while not itself active in the fusion, would nevertheless serve to support the vertebrae from within the disc space while allowing fusion to occur around it.

U.S. Pat. No. 3,844,601 issued to Ma et al. on Nov. 19, 1974, teaches a method and instrumentation for preparing rectangular spaces across the disc space into the adjacent vertebrae and for preparing a rectangular graft of the bone itself that is inserted in the rectangular spaces.

U.S. Pat. No. 4,743,256 issued to Brantigan on May 10, 1988 teaches the use of an inert artificial spacer in the shape of a rectangle in place of using a rectangular bone graft as taught by Ma et al.

U.S. Pat. No. 4,878,915 issued to Brantigan on Nov. 7, 1989, teaches the use of fully cylindrical inert implants for use in interbody spinal fusion. Such implants do not participate in the bone fusion process but act as inert spacers and allow for the growth of bone to the outer surfaces of the implants.

U.S. Pat. No. 4,834,757 issued to Brantigan on May 30, 1989, teaches a rectangular shaped, hollow spinal fusion implant for use in lieu of a rectangular bone graft or Brantigan's earlier artificial inert spacer.

U.S. Pat. No. 5,015,247 issued to Michelson on May 14, 1991, teaches the use of a thin-walled, highly perforated, threaded, hollow cylindrical implant closed or closable at both ends, so as to be compressably loaded with bone or other fusion promoting materials. Additionally, the Michelson device may then be coated with a bone production

inducing chemical such as hydroxyapatite. The Michelson patent, also discloses an improved method of drilling holes across the disc space and into the two adjacent vertebrae and safely installing cylindrical implants such that the entire surgical procedure may be conducted through a hollow cylindrical tube. The hollow cylindrical tube may be left in place throughout the surgical procedure and serves to hold the adjacent vertebrae in place relative to each other, permits the guarded drilling of the holes across the disc space, and permits the insertion of the implant through that same tube into the hole drilled across the disc space and into the adjacent vertebrae.

As regards this method of performing interbody spinal fusion using essentially cylindrical threaded implants, a special problem arises (see FIG. 1) when an attempt is made to place two cylindrical implants (considered to be the preferred number as it is a much more stable construct and has more surface area than a single implant placed centrally) side-by-side across a disc space and into the two adjacent vertebrae where the height of the disc space is such that it requires an implant of a diameter so large to penetrate into and significantly engage each of the adjacent vertebrae that it is no longer possible to place two such implants side-by-side and to still have them contained within the transverse width of the spine. If an attempt is made to remedy the problem by using smaller diameter implants placed side-by-side such that both would then be able to fit within the transverse width of the spine, then the implants would be of insufficient height to adequately engage the bone. If an attempt is made to remedy the problem by abandoning the side-by-side double implant construct in favor of a single, centrally placed implant, then where the implant is sufficiently large enough to occupy a sufficient portion of the transverse width of the disc space to promote firm stability, its vertical height and excursion into the vertebrae would be so severe that if any two consecutive disc spaces were to be operated upon, the vertebrae in between would be cut in half.

U.S. Pat. No. 5,055,104 issued to Ray on Oct. 8, 1991 ("Ray Patent") discloses an implant comprising a helical coil without wall members that is assembled after the coils are placed in the disc space between the vertebrae, which supposedly can then be removed after the vertebrae have become fused together. The Ray implant is defective and unworkable in that it is incapable of being used in the manner in which it is described as it is not possible to insert into hard bone an isolated helical coil without any wall members to support such a coil, which coil would be analogous structurally to a slinky. (See Ray Patent, FIGS. 1 and 7). Further, the Ray implant is unduly complex, because it would require the difficult, if not impossible, task of assembly within the disc space. FIG. 3 of the Ray Patent clearly reveals that Ray does not teach the use of a truncated cylindrical implant, but merely teaches the use of a truncated, helical coil appearing as a sharpened spring totally lacking any wall member which could be considered cylindrical. Therefore, Ray teaches only the use of an isolated thread which can only be inserted by rotation and cannot be linearly advanced.

If the overwhelming obstacles of the impossibility of inserting an isolated thread without wall members and the problem of the assembly within the disc space could be overcome, then the Ray implant, would still be unsafe for its intended purpose as it would be at high risk of spontaneous disassembly and mechanical failure. Further, there would be insufficient room to safely rotate such a device for insertion as it is the very lack of such room that requires the use of a device having a decreased transverse width.

There is therefore, the need for a spinal fusion implant that is capable of being inserted into a hole drilled across the disc space between two adjacent vertebrae and partially into the two adjacent vertebrae such that the spinal fusion implant is capable of fitting within the transverse width of the spine when placed side-by-side next to a second of its kind.

SUMMARY OF THE PRESENT INVENTION

The present invention is an improved interbody spinal fusion implant that is capable of being inserted into a hole drilled across the disc space between two adjacent vertebrae and into the two adjacent vertebrae such that the spinal fusion implant is capable of fitting within the transverse width of the spine when placed side-by-side next to a second of its kind. The spinal fusion implant of the present invention comprises a thin-wall, multi-perforate, cylinder or partial cylinder, made of material appropriate for human implantation and having preferably, but not necessarily, one closed end and one end capable of being closed, such that an internal chamber can be filled and hold any natural or artificial osteoconductive, osteoinductive, osteogenic, or other fusion enhancing material. The spinal fusion implant of the present invention relies on roughenings of the outer surface to enhance its stability. Depending on the dimension of the transverse width of the spine in which the spinal fusion implant is being inserted, the spinal fusion implant of the present invention may have one or more flat sides to reduce the width of the spinal fusion implant. The spinal fusion implant of the present invention incorporates at its rear end, an engagement means to facilitate insertion or extraction of the implant, preferably at its rear end. The implant of the present invention may be made of, filled with and/or coated with fusion promoting substances. Further, the spinal fusion implant of the present invention does not require rotation for its insertion and can be seated by linear advancement.

The spinal fusion implant of the present invention is generally effective, and is safer and more effective than the cylindrical implants of the prior art for the special instance when it is desirable to insert two implants side-by-side into cylindrically prepared channels, and where the height of the disc space between two adjacent vertebrae is so great relative to the transverse width of the spine, that two implants of the requisite height will not fit within the transverse width of the spine. Prior art has taught those knowledgeable in the art of spinal surgery, that the likelihood of obtaining a spinal fusion is proportionate to three factors 1) the surface area of the implant 2) the quality and quantity of the graft material and 3) the stability of the fusion construct. The spinal fusion implant of the present invention increases each of these three factors by making it possible to use two implants side-by-side across a disc space that would otherwise lack sufficient width to accept more than one.

The spinal fusion implant of the present invention is more efficacious than the prior art on an individual implant basis for the following reasons:

1. Increased surface area. The spinal fusion implant of the present invention, because of its surface roughenings has greater surface area for engaging the adjacent vertebrae than an implant with smooth external surfaces. The presence or absence of holes does not materially affect this, so far as the holes are filled with material effectively contributing to the area of contact at the surface. The arced portions of the partially cylindrical implant of the present invention are in contact with the adjacent vertebrae and provide a greater surface area than is possible with a flat portion from a non-cylindrical implant.

2. The quantity and quality of graft material presented. As the spinal fusion implant of the present invention is not screwed in, it need not be constructed to resist the torquing therewith associated. Thus, the implant of the present invention may be thinner walled and thereby, for a given diameter, have greater internal volume. The spinal fusion implant, of the present invention has arced portions making the implant stronger in compression than an implant lacking upper and lower curved supporting surfaces such that the wall of the implant can be relatively thinner than such implants. A thinner wall is easier for bone to grow through. Also, the interpore bridges may be smaller allowing for greater porosity and thereby greater exposure to the internal graft material. Further, the spinal fusion implant of the present invention may be constructed of and/or coated with, and/or loaded with a variety of materials and/or chemical substrates known to actively participate in the bone fusion process. As the spinal fusion implant of the present invention offers greater surface area, and greater internal volume for its outside diameter, it offers the opportunity for presenting a greater surface area and volume of these fusion materials.
3. The implant of the present invention offers greater stability than the prior art implants. The least stable implants are the implants lacking surface roughenings. Surface holes increase implant stability by increasing the interference of the implant to the opposed surfaces. The spinal fusion implant of the present invention is a further improvement over the prior art in that the surface roughenings of the spinal fusion implant of the present invention resist motion in all directions. Further, all implants are subject to the possibility of backing out, by retracing the path by which they were inserted. However, the spinal fusion implant of the present invention can have a surface configured to urge the spinal fusion implant forward as to offer increased resistance against such undesirable backward migration. Further, the arced portions of the implant of the present invention provide a greater support area to better distribute the compression forces through the vertebrae.

The spinal fusion implant of the present invention is easier to use as it occupies less space, does not require pre-tapping, and can be inserted without the need to rotate an instrument within the closed confines of the spinal wound. Further, the spinal fusion implant of the present invention is easier to insert than implants lacking upper and lower curved supporting surfaces that are arcs of the same circle and which implants are to be inserted across the disc space and into the adjacent vertebrae as it is easier to prepare a round hole than a square hole, as a round hole can be drilled in a single step.

OBJECTS OF THE PRESENT INVENTION

It is an object of the present invention to provide an improved interbody spinal fusion implant such that it is possible to place two such implants side-by-side across a disc space and into two adjacent vertebrae in close approximation to each other and within the transverse width of the spine, where the transverse width of the spine would have otherwise been insufficient relative to the required implant height to have allowed for the accommodation of two prior art cylindrical threaded implants.

It is another object of the present invention to provide a spinal fusion implant that is easier to insert, and does not require tapping prior to implantation.

It is yet another object of the present invention to provide a spinal fusion implant that is safer, in which there is no need to run sharp threads near delicate structures.

It is still another object of the present invention to provide a spinal fusion implant that is faster to implant between adjacent vertebrae via linear advancement as opposed to rotational advancement.

It is yet another object of the present invention to provide a method for implanting partially cylindrical implants having at least one flat side.

These and other objects of the present invention will be apparent from a review of the accompanying drawings and the following detailed description of the drawings.

BRIEF DESCRIPTION OF THE DRAWINGS

FIG. 1 is a diagrammatic representation of a segment of the human spinal column comprising several vertebrae with various cylindrical threaded implants inserted across the disc space and into the two adjacent vertebrae to illustrate the problems encountered by those implants.

FIG. 2 is a top plan view along lines 2—2 of FIG. 1 with the top vertebrae removed, of two cylindrical threaded implants illustrating the minimum distance possible between the two threaded implants when placed beside each other across the disc space.

FIG. 3 is a perspective side view of an embodiment of the spinal fusion implant of the present invention having surface roughenings in the form of ratchetings.

FIG. 4 is a first side elevational view of the spinal fusion implant of FIG. 3.

FIG. 5 is a top plan view of two spinal fusion implants of FIG. 3 illustrating the minimum distance possible between the two implants when placed beside each other across the disc space.

FIG. 6 is a second side elevational view of the spinal fusion implant of FIG. 3.

FIG. 7 is a cross sectional view along lines 7—7 of the spinal-fusion implant of FIG. 6.

FIG. 8 is a cross sectional view along lines 8—8 of the spinal fusion implant of FIG. 6.

FIG. 9 is a top end view of the spinal fusion implant of FIG. 3.

FIG. 10 is a bottom end view of the spinal fusion implant of FIG. 3.

FIG. 11 is a side perspective view of an alternative embodiment of the spinal fusion implant of the present invention.

FIG. 12 is a first side elevational view of the spinal fusion implant of FIG. 11.

FIG. 13 is a second side elevational view of the spinal fusion implant of FIG. 11.

FIG. 14 is cross sectional view along lines 14—14 of the spinal fusion implant of FIG. 13.

FIG. 15 is a perspective side view of an alternative embodiment of the spinal fusion implant of the present invention having surface roughenings in the form of knurling.

FIG. 16 is a first side elevational view of the spinal fusion implant of FIG. 15.

FIG. 17 is a top plan view of two spinal fusion implants of FIG. 15 illustrating the minimum distance possible between the two implants when placed beside each other across the disc space.

FIG. 18 is an enlarged fragmentary view along line 18 of FIG. 16 showing the surface configuration of the implant of FIG. 15.

FIG. 19 is a second side elevational view of the spinal fusion implant of FIG. 15.

FIG. 20 is a cross sectional view along lines 20—20 of the spinal fusion implant of FIG. 16.

FIG. 21 is a top end view of the spinal fusion implant of FIG. 15.

FIG. 22 is a bottom end view of the spinal fusion implant of FIG. 15.

FIG. 23 is a perspective side view of an alternative embodiment of the spinal fusion implant of the present invention having flat sides and surface roughenings in the form of ratchetings.

FIG. 24 is a first side elevational view of the spinal fusion implant of FIG. 23.

FIG. 25 is a diagrammatic representation of a segment of the human spinal column showing two implants of FIG. 23 the present invention inserted within the spine.

FIG. 26 is a top plan view along lines 26—26 of FIG. 25 with the top vertebrae removed, illustrating the minimum distance possible between two spinal fusion implants of FIG. 23 placed beside each other across the disc space.

FIG. 27 is a top end view of the spinal fusion implant of FIG. 23.

FIG. 28 is a bottom end view of the spinal fusion implant of FIG. 23.

FIG. 29 is a second side elevational view of the spinal fusion implant of FIG. 23.

FIG. 30 is a cross sectional view along lines 30—30 of the spinal fusion implant of FIG. 29.

FIG. 30A is cross sectional view of an alternative embodiment of the spinal fusion implant of the present invention having only one flat side.

FIG. 31 is a perspective side view of an alternative embodiment of the spinal fusion implant of the present invention having flat sides and surface roughenings in the form of ratchetings.

FIG. 32 is a first side elevational view of the spinal fusion implant of FIG. 31.

FIG. 33 is a second side elevational view of the spinal fusion implant of FIG. 31.

FIG. 34 is a cross sectional view along lines 34—34 of the spinal fusion implant of FIG. 33.

FIG. 35 is a cross sectional view along lines 35—35 of the spinal fusion implant of FIG. 33.

FIG. 36 is a perspective side view of an alternative embodiment of the spinal fusion implant of the present invention having flat sides and having surface roughenings in the form of knurling.

FIG. 37 is a first side elevational view of the spinal fusion implant of FIG. 36.

FIG. 38 is a second side elevational view of the spinal fusion implant of FIG. 36.

FIG. 39 is a cross sectional view along lines 39—39 of the spinal fusion implant of FIG. 38.

FIG. 40 is an enlarged fragmentary view along line 40 of FIG. 37 showing the surface configuration of the spinal fusion implant of FIG. 36.

FIG. 41, is a perspective side view of an alternative embodiment of the spinal fusion implant of the present invention having surface roughenings comprising of a blasted external surface.

FIG. 42 is a perspective side view of an alternative embodiment of the spinal fusion implant of the present

invention having flat sides and openings in the form of vertical and horizontal slots.

FIG. 43 is an elevational side view of a segment of the spinal column with an alternative embodiment of two spinal fusion implants of the present invention having corresponding concave and convex sides inserted across one disc space and an alternative embodiment of a single spinal fusion implant of the present invention having a two cylindrical portions inserted across one disc space.

DETAILED DESCRIPTION OF THE DRAWINGS

The Previous Devices

Referring to FIG. 1, a diagrammatic representation of a segment of the human spinal column generally referred to by the letter S is shown. The segment of the spinal column S comprises several vertebrae V and a disc space D between two adjacent vertebrae V. Various cylindrical threaded spinal fusion implants, each having different diameters, are shown inserted across the disc space D.

When the height H_s of the disc space D is so large that two cylindrical implants, such as spinal fusion implants **10a** and **10b**, each having a sufficient diameter to cross the disc space D and sufficiently engage into the bone of adjacent vertebrae V, are placed across the disc space D, the combined overall width of the two spinal implants **10a** and **10b** exceeds the transverse width W_s of the spinal column S. As a result, a portion of each implant **10a** and **10b** protrudes from the sides of the spinal column S and could cause severe and perhaps mortal damage to the patient as delicate and vital structures lie adjacent to that area of the spinal column S such that the use of two cylindrical spinal fusion implants **10a** and **10b** would not be desirable.

If instead of two spinal fusion implants **10a** and **10b**, a single implant, such as spinal fusion implant **12a** were to be used having a sufficient diameter to provide for stability and fusion, then the implant would penetrate deeply into the adjacent vertebrae V. The spinal fusion implant **12a** would have a diameter that is significantly greater than the height H_s of the disc space D, such that the vertebrae V would have to be substantially bored out to accommodate the large diameter of the spinal fusion implant **12a**. As a result, a large part of the vertebrae V would be removed, and thus the overall structural integrity of the vertebrae V would be substantially weakened. This is especially a problem when a second spinal fusion implant **12b** identical to spinal fusion implant **12a** is placed across disc space D on the other side of the same vertebrae, V such that two spinal fusion implants **12a** and **12b** are placed across the disc spaces D on either side of the vertebrae V. As a result, the vertebra V is cleaved into a "butterfly" configuration as shown in FIG. 1, and the structural integrity and strength of the vertebrae V is further diminished such that the effectiveness of the spinal fusion process is substantially reduced, and the vertebrae V are at high risk of devascularization and, fracture.

Conversely, if two cylindrical implants such as spinal fusion implants **14a** and **14b**, each having a sufficiently sized diameter such that when placed side-by-side in the disc space D, the combined overall width of the spinal fusion implants **14a** and **14b** just fills the transverse width W_s of the spinal column S, the diameter of each of the spinal fusion implants **14a** and **14b** will not be sufficient to cross the disc space D to engage the vertebrae V. Therefore, while the spinal fusion implants **14a** and **14b** will not protrude from the sides of the spinal column S, the spinal fusion implants **14a** and **14b** cannot reach and engage the bone of the vertebrae V and thus cannot function to stabilize the adjacent vertebrae V.

Referring to FIG. 2, a top plan view, taken along line 2—2 of FIG. 1 with the upper vertebrae V removed, of two cylindrical threaded implants **10a** and **10b** placed across the disc space D is shown. The threaded implants **10a** and **10b** have an external thread **11a** and **11b** which must have a minimum height that is proportional to the size of the threaded implant to be effective. The thread **11a** and **11b** of the threaded implants **10a** and **10b** converts torque to linear motion, such that the threads **11a** and **11b** need to be of a sufficient height to overcome the resistance of the material, such as bone, in which the threaded implants **10a** and **10b** are being inserted, such resistance being proportional to the surface area and diameter of each of threaded implant **10a** and **10b**. Thus, the difference between the major diameter (including the threads) and the root diameter (minus the threads) of each threaded implant **10a** and **10b** is such that when two threaded implants **10a** and **10b** are implanted across the disc space D and into the adjacent vertebrae V, there must be a minimum distance between the two threaded implants **10a** and **10b** to allow for the height of the threads **11a** and **11b**. This would be true even if the threads **11a** and **11b** were interdigitated, the threaded implants **10a** and **10b** would still be offset by at least the height of the thread of at least one of the threaded implants **10a** and **10b**. Such a minimum distance between the two threaded implants **10a** and **10b** increases the combined overall width of the two threaded implants **10a** and **10b** when inserted.

Therefore, in order for a cylindrical spinal fusion implant to be used in the spinal fusion process where the height H_s of the disc space D between two adjacent vertebrae V is large relative to its width W_s , it is necessary to have an implant that can be implanted adjacent to a second of its kind in closer contact than is possible with threaded implants, while still providing for an implant surface that will provide mechanical stability in engagement to the adjacent vertebrae V. The use of a cylindrical implant is desirable as it is easy to prepare the recipient site by drilling a cylindrical hole across the disc space D and into the adjacent vertebrae V. The curved surface of the cylindrical holes drilled into the vertebrae V have increased surface area compared to a flat surface and also provides for the possibility of tight congruency when the cylindrical hole is fitted with an implant having corresponding cylindrical portions of matched diameter.

The Present Invention

Referring to FIGS. 3–10, an embodiment of the spinal fusion implant of the present invention, is shown and generally referred to by the numeral **100**. The spinal fusion implant **100** has a substantially cylindrical configuration having a thin outer wall **112** surrounding an internal chamber **114** and a longitudinal central axis L. The exterior of the spinal fusion implant **100** comprises surface roughenings that provide a surface suitable for engaging the vertebrae V to stabilize the spinal fusion implant **100** across the disc space D and into the adjacent vertebrae V once surgically implanted. In one embodiment of the spinal fusion implant **100**, the surface roughenings comprise a plurality of ratchetings **120** along the circumference of said spinal fusion implant. Each of the plurality of ratchetings **120** has a bone engaging edge **122** and an angled segment **124**.

Each of the plurality of ratchetings **120** has a height that is substantially less than the height of a requisite thread for a cylindrical threaded implant of the same size. As a thread is a simple device for converting torque to linear advancement, the requisite height of the thread is proportional to the surface area and diameter of the implant and

must be sufficient to pull a cylindrical implant having a diameter sufficient to cross the disc space D through a material as dense as bone. In contrast, the ratchetings **120** have a height that is significantly less than the requisite height of a thread of a same sized threaded implant since the spinal fusion implant **100** is implanted across the disc space D and into the adjacent vertebrae V by linear advancement. The spinal fusion implant **100** may be pushed into the cylindrical disc space D by direct, linear advancement since it requires no thread to pull it forward through the spine. As no torque is required to advance the spinal fusion implant **100** there is no minimum requisite height of the surface roughenings. The only surface feature necessary is that which gives the spinal fusion implant **100** stability once implanted.

Moreover, the ratchetings **120** may face in one direction, the direction in which the spinal fusion implant **100** is inserted, and function to prevent the spinal fusion implant **100** from backing out of the disc space D in a direction opposite to the direction of insertion once inserted between the two adjacent vertebrae V. The ratchetings **120** urge the spinal fusion implant **100** forward against the unremoved bone of the vertebrae V. Since implants generally want to back out along the same path in which they are inserted, such as repeated movement of the patient's body over time and which would cause some other design of implant to come loose (e.g. cause a threaded cylindrical implant to possibly unscrew), the ratchetings **120** tend to urge the spinal fusion implant **100** forward against the solid unremoved bone further resisting dislodgement and controlling motion resulting in an exceedingly stable implantation.

The bone engaging edges **122** of the ratchetings **120** that have a height at a highest point measured from the root diameter of the spinal fusion implant **100** that is approximately 0.35 mm. In this manner the spinal fusion implant **100** may be placed beside a second of its kind at a distance of approximately 0.7 mm apart or if offset even closer, substantially reducing the combined overall width of the two spinal fusion implants **100** once surgically implanted. The ratchetings **120** may have a height in the range of 0.25–1.5 mm, with the preferred height range being 0.35–0.75

Referring to FIG. 5, two spinal fusion implants **100a** and **100b** are shown inserted across the disc space D having the same dimensions of the disc space D shown in FIG. 2. The two spinal fusion implants **100a** and **100b** have a decreased overall combined width when compared to two threaded spinal fusion implants placed side by side previously described and illustrated in FIG. 2. The decreased combined overall width of the two spinal fusion implants **100a** and **100b** is the difference between the root and major diameters of the spinal fusion implants **100a** and **100b** and is achieved by utilizing surface roughenings such as ratchetings **120** for stability. The surface roughenings allow the two spinal fusion implants **100a** and **100b** to come into considerably closer approximation to one another and require less total transverse width for their insertion than is possible for two threaded cylindrical implants having identical root diameters because of the requisite thread height of such threaded implants. Reducing the offset between implants allows for the uses of larger diameter implants which can then still fit within the transverse width W_s of the spinal column and achieve more substantial engagement into the adjacent vertebrae V.

Referring to FIG. 7, a cross section of the spinal fusion implant **100** is shown wherein the wall **112** has openings **128** passing therethrough to communicate with the internal chamber **114**. The internal chamber **114** may be filled with

bone material or any natural or artificial bone growth material or fusion promoting material such that bone growth occurs from the vertebrae V through the openings **128** to the material within internal chamber **114**. While the openings **128** have been shown in the drawings as being circular, it is appreciated, that the openings **128** may have any shape, size, or form suitable for use in a spinal fusion implant without departing from the scope of the present invention. Also, the number of openings may be varied or no openings may be present on the spinal fusion implant.

Referring to FIGS. 8 and 9, the spinal fusion implant **100** has a cap **130** with a thread **132** that threadably attaches to one end of the spinal fusion implant **100**. Once the cap **130** is attached to the spinal fusion implant **100**, the edge **136** acts as an additional ratcheting **120** to further stabilize the spinal fusion implant **100** once it is implanted across the disc space D.

The cap **130** is removable to provide access to the internal chamber **114**, such that the internal chamber **114** can be filled and hold any natural or artificial osteoconductive, osteoinductive, osteogenic, or other fusion enhancing material. Some examples of such materials are bone harvested from the patient, or bone growth inducing material such as, but not limited to, hydroxyapatite, hydroxyapatite tricalcium phosphate; or bone morphogenic protein. The cap **130** and/or the spinal fusion implant **100** itself is made of material appropriate for human implantation such as titanium and/or may be made of, and/or filled and/or coated with a bone ingrowth inducing material such as, but not limited to, hydroxyapatite or hydroxyapatite tricalcium phosphate or any other osteoconductive, osteoinductive, osteogenic, or other fusion enhancing material.

Referring to FIG. 4, alternatively the cap **130a** may be “bullet”-shaped to facilitate insertion. The cap **130a** has at its greatest diameter a diameter equal to the root diameter of the spinal fusion implant **100** such that no additional ratchetings **120** are formed.

Referring to FIG. 10, the spinal fusion implant **100** has an engagement means at one end in the form of a rectangular slot **140** for engaging a driver instrument having a removable engagement means for intimately engaging the rectangular slot **140**. A threaded portion of the driver instrument, which in one embodiment extends as a rod through a hollow tubular member and can be rotationally controlled, screws into a threaded aperture **142** in the slot **140** and binds the implant **100** and the driver instrument together. Once affixed to the implant driver instrument, the spinal fusion implant **100** may be then introduced through a hollow cylindrical tube and driven into the cylindrical hole that has been drilled across the disc space D. The implant driver instrument may then be impacted by a mallet, or similar device, to linearly advance the spinal fusion implant **100** across the disc space D. Once the spinal fusion implant **100** is inserted across the disc space D, the ratchetings **120**, engage the bone of the vertebrae V and the implant driver instrument is detached from the spinal fusion implant **100**. The procedure for drilling the holes across the disc space D and instrumentation pertaining thereto are described in copending application Ser. No. 08/074,781 filed on Jun. 10, 1993, incorporated herein by reference.

Referring to FIGS. 11–14, an alternative embodiment of the spinal fusion implant of the present invention, generally referred to by the numeral **200** is shown. The spinal fusion implant **200** is similar to the spinal fusion implant **100** except that the openings **228** are bisected by the bone engaging edge **222** of the plurality of ratchetings **220**. In this

manner, the bone engaging edges are interrupted by the openings 228 to provide a "tooth-like" edge that engages the bone of the vertebrae V and creates an interference fit to prevent the backing out of the implant 200 once inserted. It is appreciated that the number of openings 228 and the number of bone engaging edges 222 may be varied and that the opening 228 can be placed in any orientation relative to the ratchetings 220 or other surface roughening without departing from the scope of the present invention.

Referring to FIGS. 15–19, an alternative embodiment of the spinal fusion implant of the present invention generally referred to by the numeral 300 is shown. The spinal fusion implant 300 has a substantially cylindrical configuration having surface roughenings for stabilizing the implant 300 within the intervertebral space D. As shown in FIG. 18, the surface roughenings comprise a surface knurling 320 such as, but not limited to, the diamond-shaped bone engaging pattern shown. The spinal fusion implant 300 may have surface knurling 320 throughout the entire external surface of the spinal fusion implant 300, throughout only a portion of the external surface, or any combination, thereof, without departing from the scope of the present invention. In those circumstances where there is no undrilled bone in the disc space D forward of the spinal fusion implant 300 to resist further forward advancement of the implant, surface knurling 320 is preferred as it produces an exceedingly high interference fit with the bone of the vertebrae V and resists motion equally in all directions and without the tendency to urge itself forward.

Referring to FIG. 17, two spinal fusion implants 300a and 300b may be placed side by side across the disc space D having the same dimensions of the disc space D shown in FIG. 2, such that the two spinal fusion implants 300a and 300b are touching each other and thus reducing the overall combined width of the two spinal implants 300a and 300b to the minimum distance possible with a substantially cylindrical implant having a roughened surface. In this manner, two cylindrical spinal fusion implants 300a and 300b having a sufficient diameter to cross the height H, of the disc space D can be placed across the disc space D without exceeding the transverse width W_s of the spinal column S. The spinal fusion implants 300a and 300b are inserted by linear advancement as described above for spinal fusion implant 100. Therefore, as no threading is required for the insertion of spinal fusion implants 300a and 300b, little or no space need be present between the spinal fusion implants 300a and 300b, as compared to the space that would be required for a thread when using threaded implants. Thus, the spinal fusion implants 300a and 300b may be placed closer together to substantially reduce the overall combined width of two such implants.

Referring to FIGS. 23–30, an alternative embodiment of the spinal fusion implant of the present invention is shown and is generally referred to by the numeral 400. The spinal fusion implant 400 has a similar configuration to that of the spinal fusion implant 200, except that it comprises a partially cylindrical member having arcuate portions 402 and 404 which are arcs of the same circle with portions of its outer wall 405 that are flattened so as to present a first flat side 406 and a second flat side 408.

Referring to FIG. 28, the spinal fusion implant 400 has a major diameter M equal to the distance between two diametrically opposite non-flattened segments, such as arcuate portions 402 and 404 which are arcs of the same circle. The width W_i of the spinal fusion implant 400 is equal to the distance between a flattened segment and a point diametrically opposite the flattened segment, such as the distance between the first and second flat sides 406 and 408.

Referring to FIG. 25, a diagrammatic representation of a segment of a spinal column S comprising several vertebrae V is shown having two spinal fusion implants 400a and 400b inserted across the disc space D between the two adjacent vertebrae V. The spinal fusion implants 400a and 400b are identical and each has a first arcuate portion 402a and 402b, respectively; a second arcuate portion 404a and 404b, respectively; a first flat side 406a and 406b, respectively; and a second flat side 408a and 408b, respectively. The spinal fusion implants 400a and 400b are implanted across the disc space D with the second flat side 408a of spinal fusion implant 400a facing and adjacent to the first flat side 408b of spinal fusion implant 400b such that the combined overall width of the two spinal fusion implants 400a and 400b is less than twice the maximum diameter M of the implants. The spinal fusion implants 400a and 400b are inserted by linear advancement as described above for spinal fusion implant 100.

Prior to implantation, two partially overlapping cylindrical holes are drilled across the disc space D and into the adjacent vertebrae V. The holes are drilled sufficiently overlapping to allow the two spinal fusion implants 400a and 400b to be implanted with the flat sides perpendicular to the plane of the disc space D, the disc space D being in a plane perpendicular to the longitudinal vertical axis A of the spinal column S as shown in FIG. 25.

The spinal fusion implants 400a and 400b may be inserted separately such that once a first spinal fusion implant 400a is inserted across the disc space D, a second spinal fusion implant 400b is driven across the disc space D so that the flat side 402 or 404 of each spinal fusion implant 400 are adjacent to each other and are touching. In this manner, the two spinal fusion implants 400a and 400b are implanted across the disc space D and engage the bone of the adjacent vertebrae V without exceeding the transverse width W_s of the spinal column S. Alternatively, the two spinal fusion implants 400a and 400b may be implanted across the disc space D simultaneously by placing them adjacent and facing each other, in the orientation described above, prior to implantation. The two spinal fusion implants 400a and 400b are then linearly advanced into the drilled holes across the disc space D.

Referring to FIG. 28, the effect of having first and second flat sides 406 and 408 is that the overall width W_i of the spinal fusion implant 400 is substantially reduced while the height of the spinal fusion implant 400 remains the maximum diameter M of the cylindrical portion of the spinal fusion implant 400.

Referring to FIGS. 25 and 26, as the height of each spinal fusion implant 400a and 400b is sufficient to cross the disc space D and into the two adjacent vertebrae V, each spinal fusion implant 400a and 400b engages the bone of the adjacent vertebrae V while the combined width of the two spinal fusion implant 100 does not exceed the transverse width W_s of the spinal column S. As a result, the advantages of placing two cylindrical implants side by side across the disc space D may be obtained without exceeding the width W_s of the spinal column S. Thus, as shown in FIG. 26, the two spinal fusion implants 400a and 400b can be inserted across the disc space D, having the same dimensions as the disc space D shown in FIG. 2, and can be placed much closer together as a result of the first flat side 408b placed adjacent to the second flat side 408a while continuing to engage the adjacent vertebrae V.

As shown in FIG. 30, the spinal fusion implant 400 has a hollow internal central chamber. 414 and has a series of

openings 428 passing through the outer wall 405 and into the central chamber 414 of the spinal fusion implant 400. The openings 428 may also be present on the first and second flat sides 406 and 408. Said openings 428 while shown as round holes for example, may be any other workable configuration consistent with their purpose and may include, but is not limited to, ovals, slots, grooves and holes that are not round as is true for any of the cylindrical implants disclosed above.

Referring to FIG. 30A, it is appreciated that it is also within the scope of the present invention that the spinal fusion implant 400' could have only one flat side so as to provide only a first flat side 406'. This configuration is appropriate where the width W_i of the spinal fusion implant 400 need only be slightly reduced with respect to its maximum diameter M, to prevent the combined overall width of two such implants from exceeding the transverse width W_s of the spinal column S.

Referring to FIGS. 23, 24, and 29, the spinal fusion implant 400 of the present invention has a plurality of ratchetings 420 facing one direction, as described above for spinal fusion implant 100, along the outer surface of the cylindrical portion of the circumference of the spinal fusion implant 400. The ratchetings 420 have a bone engaging edges 422 and the angled configuration of the ratchetings 420 provide for a "one-way" insertion of the spinal fusion implant 400 as the movement of the spinal fusion implant 400 in the opposite way is prevented by the engagement or the engaging edges 422 with the vertebrae V. However, the flat sides 402 and 404 are preferably smooth and have a flat surface so as to allow placement in the closest possible proximity of the two spinal fusion implants 400a and 400b. The bone engaging edge 422 of each ratcheting 420 bisects the holes 428 to increase the stability of the spinal fusion implant 400 once implanted.

The spinal fusion implants 100-600 each have an overall length in the range of 20 mm to 30 mm, with 25 mm being preferred, and a maximum diameter M in the range of 14 mm to 24 mm, with 18 mm being preferred when inserted in the lumbar spine from the posterior approach, and 20 mm being preferred when inserted in the lumbar spine from the anterior approach. The spinal fusion implant 400 is quite appropriate for use in the cervical and thoracic spine as well. In the cervical spine such implants would have a length in the range of 10-18 mm preferred 12 mm and a maximum diameter M in the range of 12-20 mm, with the preferred diameter being 16 mm. In the thoracic spine such implants would have, a length in the range of 16-26 mm and a greatest diameter in the range of 14-20 mm, with the preferred diameter being 16 mm. In addition to the foregoing dimensions, spinal fusion implants 400-600 have a width W_i for use in the cervical spine in the range of 8-16 mm, with the preferred width W_i being 10-14 mm; for use in the lumbar spine in the range of 18-26 mm, with the preferred width W_s being 18-20 mm; and for use in the lumbar spine in the range of 18-26 mm, with the preferred width W_i being 20-24 mm.

Referring to FIGS. 27 and 28, when viewed on end, the spinal fusion implant 400 of the present invention has externally the geometrical configuration of a circle with a portion of each side tangentially amputated vertically to form the first and second flat sides 406 and 408. The cap 430 extends beyond the narrowest diameter of the wall 412 along the first and second arcuate portions 402 and 404 at the end of the spinal fusion implant 400 and acts as an additional ratcheting 420 with an engaging edge 436. In this manner, the additional ratcheting 420 functions to further increase the stability of the spinal fusion implant 400 once inserted

between the adjacent vertebrae V and to further prevent the dislodgement of the spinal fusion implant 400 from the disc space D. The cap 430 is flush with the flat sides 406 and 408 to preserve the flat surfaces of flat sides 406 and 408. The cap 430 further has a sloping sides 438a and 438b corresponding position with the flat sides 406 and 408 to facilitate insertion of the spinal fusion implant 400 and to permit for close side by side placement of two spinal fusion implants 400. Alternatively, the cap 430 can be flush all the way around with the root diameter of the spinal fusion implant 400 to further facilitate insertion for a longer ramp length.

The spinal fusion implant 400 has surface roughenings such as, but not limited to, ratchetings 420 such that the outer surface of the spinal fusion implant 400 may have a plurality of other surface roughenings to enhance the stability of the spinal fusion implant 400 and to resist dislodgement once implanted across the disc space D. For example, the spinal fusion implant 400 may have an irregular outer surface that may be created by blasting or rough casting and the like. Such an irregular surface may be used alone or in combination with other surface roughenings such as ratchetings and/or knurling and as already discussed, the openings 428 may be holes, grooves, slots or other.

Referring to FIGS. 32-35, an alternative embodiment of the spinal fusion implant of the present invention is shown and generally referred to by the numeral 500. The spinal fusion implant 500 is substantially the same as the spinal fusion implant 400, except that the openings 528 are positioned on the ratcheting 520 such that the openings 528 are positioned between the bone engaging edges 522 and are not bisected by the bone engaging edges 522. In this manner the bone engaging edges 522 are continuous and uninterrupted to engage the bone of the vertebrae V and prevent the backing out of the implant 500 once inserted.

Referring to FIGS. 36-40, an alternative embodiment of the spinal fusion implant of the present invention is shown and generally referred to by the numeral 600. The spinal fusion implant 600 is substantially identical to the spinal fusion implant 400 described above except that in place of ratchetings 420, it has surface knurling 620 such as, but not limited to, the diamond-shaped bone engaging pattern shown in FIG. 40. The surface knurling 620 assists in the retaining of the spinal fusion implant 600 once it is inserted across the disc space D between two adjacent vertebrae V. It is recognized that the surface knurling 620 of the implant 600 may be combined with any of a number of other surface roughenings such as, but not limited to, ratchetings to assist in retaining the spinal fusion implant 600 across the disc space D.

As shown in FIG. 36, the cap 630 of the spinal fusion implant 600 has sloping sides 660 and 662 corresponding with the first and second flat sides 606 and 608 to facilitate insertion of the spinal fusion implant 600 and to permit for close side by side placement of two spinal fusion implants 600.

It is appreciated that the implant invention may include any and all surface roughening configuration that either increase the surface area or interference fit of the implant and the vertebrae V. It is appreciated that the ratchetings described above for the various embodiments of the spinal fusion implants of the present invention may also comprise a knurled or other surface roughenings in combination with the ratchetings to further enhance the retention of the spinal fusion implant across the disc space D once inserted.

Referring to FIG. 41, an alternative embodiment of the spinal fusion implant of the present invention generally

15

referred to by the numeral **700** is shown. The spinal fusion implant **700** has surface roughenings comprising of a blasted external surface **701** to provide an engagement surface for the vertebrae **V** when inserted across the disc space **D**. The spinal fusion implant has a plurality of openings **728**, a removable cap **730** with a hex slot **734** for engaging a hex tool.

Referring to FIG. **42**, an alternative embodiment of the spinal fusion implant of the present invention generally referred to by the numeral **800** is shown. The spinal fusion implant **800** is similar to spinal fusion implant **400** described above except that it has openings in the form of horizontal slots **828** on the flat side **806** and vertical slots **829** on the cylindrical portion of the spinal fusion implant **800**.

It is appreciated that the spinal implants of the present invention may have any configuration such that the combined overall width of the two such spinal fusion implants is less than twice the maximum diameter **M** of those implants without departing from the scope of the present invention.

Referring to FIG. **43**, a segment of the spinal column **S** is shown with an alternative embodiment of two spinal fusion implants **900a** and **900b** inserted across disc space **D₁** is shown. Spinal fusion implant **900a** has a concave surface **902** which is correspondingly shaped for receiving the convex surface **904** of spinal fusion implant **900b**. When the two spinal fusion implants **900a** and **900b** are placed side by side, the concave surface **902** mates with the convex surface **904** such that the combined overall width of the two spinal fusion implants is less than twice the maximum diameter **M** of those implants. As a result, the advantages of placing two implants that are partially cylindrical, with respect to the portion engaging the vertebrae **V**, side by side across the disc space **D** may be obtained without exceeding the width **W_s** of the spinal column **S**.

Referring still to FIG. **43**, an alternative embodiment of the spinal fusion implant of the present invention comprising a single spinal fusion implant **1000** inserted across the disc space **D₂** of the spinal column **S** is shown. The spinal fusion implant **1000** comprises a first cylindrical portion **1010** and a second cylindrical portion **1012** and may have any of the surface roughenings described above in reference to the embodiments set forth above. In the preferred embodiment, the spinal fusion implant **1000** is inserted by linear advancement into two overlapping cylindrical holes drilled across the disc space **D₂**.

While the present invention has been described in detail with regard to the preferred embodiments, it is appreciated that other variations of the present invention may be devised which do not depart from the inventive concept and scope of the present invention.

What is claimed is:

1. A spinal fusion implant made of a material appropriate for human implantation into and across a disc space between two adjacent vertebral bodies, said implant comprising in combination:

a body having a non-threaded exterior with opposed rigid portions adapted to be oriented toward the adjacent endplates of the two adjacent vertebral bodies and having a distance therebetween defining an implant height greater than the normal height of the disc space to be fused, each of said opposed rigid portions having at least one opening passing therethrough to allow bone growth from one of the adjacent vertebral bodies through said implant to the other of the adjacent vertebral bodies, said body being formed of an implantation material other than bone; and

16

a fusion promoting substance comprising bone morphogenetic protein.

2. The spinal fusion implant of claim **1**, further comprising a protrusion extending from each of said opposed rigid portions for engaging each of the adjacent vertebral bodies to maintain said implant within the disc space.

3. The spinal fusion implant of claim **2**, wherein said protrusion comprises a ridge.

4. The spinal fusion implant of claim **2**, wherein said protrusion comprises a ratcheting.

5. The spinal fusion implant of claim **1**, further comprising a plurality of ratchetings facing the same direction extending from each of said opposed rigid portions for engaging each of the adjacent vertebral bodies to maintain said implant within the disc space.

6. The spinal fusion implant of claim **1**, further comprising a plurality of cells in said body for retaining said fusion promoting substance.

7. The spinal fusion implant of claim **1**, wherein said opposed rigid portions have a porous surface.

8. The spinal fusion implant of claim **1**, wherein said implantation material is porous.

9. The spinal fusion implant of claim **1**, wherein said implant is treated with said fusion promoting substance.

10. The spinal fusion implant of claim **1**, wherein said implant is coated with said fusion promoting substance.

11. The spinal fusion implant of claim **1**, wherein said fusion promoting substance is contained within said implant.

12. The spinal fusion implant of claim **1**, wherein said opposed rigid portions have a bone ingrowth surface.

13. The spinal fusion implant of claim **1**, wherein said implantation material is stronger than bone.

14. The spinal fusion implant of claim **1**, wherein each of said opposed rigid portions comprises an interior surface, said interior surfaces being spaced apart to define a hollow interior in communication with said at least one opening of each of said opposed rigid portions.

15. The spinal fusion implant of claim **14**, wherein said implant has a leading end for insertion into the spine and an opposite trailing end, at least one of said ends being open to allow access to said hollow interior.

16. The spinal fusion implant of claim **15**, wherein said at least one end providing access to said hollow interior of said implant is adapted to be closed by a cap.

17. The spinal fusion implant of claim **16**, wherein said implant having said at least one end providing access to said hollow interior is in combination with a cap adapted to close said hollow interior.

18. The spinal fusion implant of claim **1**, in combination with bone.

19. The spinal fusion implant of claim **18**, wherein said bone is compressively loaded in said implant.

20. The spinal fusion implant of claim **1**, in combination with hydroxyapatite.

21. The spinal fusion implant of claim **1**, wherein said opposed rigid portions are arcuate.

22. A spinal fusion implant made of a material appropriate for human implantation into and across a disc space between two adjacent vertebral bodies, said implant comprising in combination:

a body having a non-threaded exterior with opposed rigid arcuate portions adapted to be oriented toward the adjacent endplates of the two adjacent vertebral bodies, said opposed rigid arcuate portions having the same radius, each of said opposed rigid arcuate portions having at least one opening passing therethrough to allow bone growth from one of the adjacent vertebral

17

bodies through said implant to the other of the adjacent vertebral bodies, said body being formed of an implantation material other than bone; and

a fusion promoting substance comprising bone morphogenetic protein.

23. The spinal fusion implant of claim 22, further comprising a protrusion extending from each of said opposed rigid portions for engaging each of the adjacent vertebral bodies to maintain said implant within the disc space.

24. The spinal fusion implant of claim 23, wherein said protrusion comprises a ridge.

25. The spinal fusion implant of claim 23, wherein said protrusion comprises a ratcheting.

26. The spinal fusion implant of claim 22, further comprising a plurality of ratchetings facing the same direction extending from each of said opposed rigid portions for engaging each of the adjacent vertebral bodies to maintain said implant within the disc space.

27. The spinal fusion implant of claim 22, further comprising a plurality of cells in said body for retaining said fusion promoting substance.

28. The spinal fusion implant of claim 22, wherein said opposed rigid portions have a porous surface.

29. The spinal fusion implant of claim 22, wherein said implantation material is porous.

30. The spinal fusion implant of claim 22, wherein said implant is treated with said fusion promoting substance.

31. The spinal fusion implant of claim 22, wherein said implant is coated with said fusion promoting substance.

32. The spinal fusion implant of claim 22, wherein said fusion promoting substance is contained within said implant.

33. The spinal fusion implant of claim 22, wherein said opposed rigid portions have a bone ingrowth surface.

34. The spinal fusion implant of claim 22, wherein said implantation material is stronger than bone.

35. The spinal fusion implant of claim 22, wherein each of said opposed rigid portions comprises an interior surface, said interior surfaces being spaced apart to define a hollow interior in communication with said at least one opening of each of said opposed portions.

36. The spinal fusion implant of claim 35, wherein said implant has a leading end for insertion into the spine and an opposite trailing end, at least one of said ends being open to allow access to said hollow interior.

37. The spinal fusion implant of claim 36, wherein said at least one end providing access to said hollow interior of said implant is adapted to be closed by a cap.

38. The spinal fusion implant of claim 37, wherein said implant having said at least one end providing access to said hollow interior is in combination with a cap adapted to close said hollow interior.

39. The spinal fusion implant of claim 22, in combination with bone.

40. The spinal fusion implant of claim 39, wherein said bone is compressively loaded in said implant.

41. The spinal fusion implant of claim 22, in combination with hydroxyapatite.

42. The spinal fusion implant of claim 22, wherein said implant has a height greater than the disc space between the two adjacent vertebral bodies to be fused.

43. A spinal fusion implant made of a material appropriate for human implantation into and across a disc space between two adjacent vertebral bodies, said implant comprising in combination:

a body having a non-threaded exterior with opposed rigid arcuate portions adapted to be oriented toward the adjacent endplates of the two adjacent vertebral bodies

18

and having a distance therebetween defining an implant height greater than the normal height of the disc space to be fused, said opposed arcuate rigid portions having the same radius, each of said opposed arcuate portions having at least one opening passing through to allow bone growth from one of the adjacent vertebral bodies through said implant to the other of the adjacent vertebral bodies;

a plurality of surface roughenings protruding from said exterior of said body adapted to engage the two adjacent vertebral bodies to maintain said implant in place, said surface roughenings configured to resist expulsion of said implant from between the two adjacent vertebral bodies, said body being formed of an implantation material other than bone; and

a fusion promoting substance comprising bone morphogenetic protein.

44. The spinal fusion implant of claim 43, wherein said surface roughenings include knurling.

45. The spinal fusion implant of claim 43, further comprising a protrusion extending from each of said opposed rigid portions for engaging each of the adjacent vertebral bodies to maintain said implant within the disc space.

46. The spinal fusion implant of claim 45, wherein said protrusion comprises a ridge.

47. The spinal fusion implant of claim 45, wherein said protrusion comprises a ratcheting.

48. The spinal fusion implant of claim 43, further comprising a plurality of ratchetings facing the same direction extending from each of said opposed rigid portions for engaging each of the adjacent vertebral bodies to maintain said implant within the disc space.

49. The spinal fusion implant of claim 43, further comprising a plurality of cells in said body for retaining said fusion promoting substance.

50. The spinal fusion implant of claim 43, wherein said opposed rigid portions have a porous surface.

51. The spinal fusion implant of claim 43, wherein said implantation material is porous.

52. The spinal fusion implant of claim 43, wherein said implant is treated with said fusion promoting substance.

53. The spinal fusion implant of claim 43, wherein said implant is coated with said fusion promoting substance.

54. The spinal fusion implant of claim 43, wherein said fusion promoting substance is contained within said implant.

55. The spinal fusion implant of claim 43, wherein said opposed rigid portions have a bone ingrowth surface.

56. The spinal fusion implant of claim 43, wherein said implantation material is stronger than bone.

57. The spinal fusion implant of claim 43, wherein each of said opposed rigid portions comprises an interior surface, said interior surfaces being spaced apart to define a hollow interior in communication with said at least one opening of each of said opposed portions.

58. The spinal fusion implant of claim 57, wherein said implant has a leading end for insertion into the spine and an opposite trailing end, at least one of said ends being open to allow access to said hollow interior.

59. The spinal fusion implant of claim 58, wherein said at least one end providing access to said hollow interior of said implant is adapted to be closed by a cap.

60. The spinal fusion implant of claim 59, wherein said implant having said at least one end providing access to said hollow interior is in combination with a cap adapted to close said hollow interior.

61. The spinal fusion implant of claim 43, in combination with bone.

62. The spinal fusion implant of claim 61, wherein said bone is compressively loaded in said implant.

63. The spinal fusion implant of claim 43, in combination with hydroxyapatite.

64. A spinal fusion implant made of a material appropriate for human implantation into and across a disc space between two adjacent vertebral bodies, said implant comprising:

a body having a non-threaded exterior with opposed rigid arcuate portions adapted to be oriented toward the adjacent endplates of the two adjacent vertebral bodies, each of said opposed arcuate portions having at least one opening passing therethrough to allow bone growth from one of the two adjacent vertebral bodies through said implant to the other of the two adjacent vertebral bodies;

a plurality of surface projections on said exterior of said body adapted to engage the vertebral bodies to maintain said implant in place; and

a fusion promoting substance comprising bone morphogenetic protein.

65. The spinal fusion implant of claim 64, wherein said surface projections include a plurality of annular ratchetings defined around said body to resist expulsion of said implant from between the adjacent vertebral bodies.

66. The spinal fusion implant of claim 64, wherein said projections comprise a ridge.

67. The spinal fusion implant of claim 64, wherein said projections comprise a ratcheting.

68. The spinal fusion implant of claim 67, wherein said ratchetings face the same direction and extend from each of said opposed portions for engaging each of the adjacent vertebral bodies to maintain said implant within the disc space.

69. The spinal fusion implant of claim 64, further comprising a plurality of cells in said body for retaining said fusion promoting substance.

70. The spinal fusion implant of claim 64, wherein said opposed portions have a porous surface.

71. The spinal fusion implant of claim 64, wherein said implantation material is porous.

72. The spinal fusion implant of claim 64, wherein said implant is treated with said fusion promoting substance.

73. The spinal fusion implant of claim 64, wherein solid implant is coated with said fusion promoting substance.

74. The spinal fusion implant of claim 64, wherein said fusion promoting substance is contained within said implant.

75. The spinal fusion implant of claim 64, wherein said opposed portions have a bone ingrowth surface.

76. The spinal fusion implant of claim 64, wherein said implantation material is stronger than bone.

77. The spinal fusion implant of claim 64, wherein each of said opposed portions comprises an interior surface, said interior surfaces being spaced apart to define a hollow interior in communication with said at least one opening of each of said opposed portions.

78. The spinal fusion implant of claim 77, wherein said implant has a leading end for insertion into the spine and an opposite trailing end, at least one of said ends being open to allow access to said hollow interior.

79. The spinal fusion implant of claim 78, wherein said at least one end providing access to said hollow interior of said implant is adapted to be closed by a cap.

80. The spinal fusion implant of claim 79, wherein said implant having said at least one end providing access to said hollow interior is in combination with a cap adapted to close said hollow interior.

81. The spinal fusion implant of claim 64, in combination with bone.

82. The spinal fusion implant of claim 81, wherein said bone is compressively loaded in said implant.

83. The spinal fusion implant of claim 64, in combination with hydroxyapatite.

84. The spinal fusion implant of claim 64, wherein said implant has a height greater than the disc space between the two adjacent vertebral bodies to be fused.

* * * * *

UNITED STATES PATENT AND TRADEMARK OFFICE
CERTIFICATE OF CORRECTION

PATENT NO. : 6,758,849 B1
DATED : July 6, 2004
INVENTOR(S) : Gary Karlin Michelson

Page 1 of 1

It is certified that error appears in the above-identified patent and that said Letters Patent is hereby corrected as shown below:

Column 16,

Line 7, change "sold" to -- said --.

Column 18,

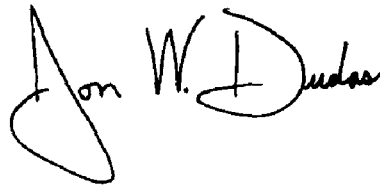
Line 5, change "the through" to -- therethrough --

Column 20,

Line 5, change "solid" to -- said --.

Signed and Sealed this

Seventh Day of September, 2004

A handwritten signature in black ink that reads "Jon W. Dudas". The signature is written in a cursive style with a large, looped initial "J".

JON W. DUDAS
Director of the United States Patent and Trademark Office