



US00D397436S

United States Patent [19]

[11] Patent Number: **Des. 397,436**

Michelson

[45] Date of Patent: ****Aug. 25, 1998**

[54] **COMBINED DISTRACTOR AND SLEEVE FOR INSERTING SPINAL IMPLANTS**

3,486,505	12/1969	Morrison	D24/135
5,306,309	4/1994	Wagner et al.	606/61
5,370,662	12/1994	Stone et al.	606/232
5,425,772	6/1995	Brantigan	606/61

[76] Inventor: **Gary Karlin Michelson**, 438 Sherman Canal, Venice, Calif. 90291

Primary Examiner—Doris Clark
Attorney, Agent, or Firm—Lewis Anten, Esq.; Amedeo Ferraro, Esq.

[**] Term: **14 Years**

[21] Appl. No.: **60,514**

[57] CLAIM

[22] Filed: **Sep. 30, 1996**

The ornamental design for the combined distractor and sleeve for inserting spinal implants, as shown and described.

Related U.S. Application Data

DESCRIPTION

[62] Division of Ser. No. 23,141, May 19, 1994, Pat. No. Des. 374,283.

FIG. 1 is a right side perspective view, the left side being a mirror image thereof;

[51] LOC (6) Cl. **24-02**

FIG. 2 is a fragmentary top plan view thereof;

[52] U.S. Cl. **D24/135; D24/133**

FIG. 3 is a rear view thereof;

[58] Field of Search D24/133, 135; 606/61, 63, 191, 198; 128/20

FIG. 4 is a front view thereof;

FIG. 5 is a fragmentary left side elevational view, the right side being a mirror image thereof; and,

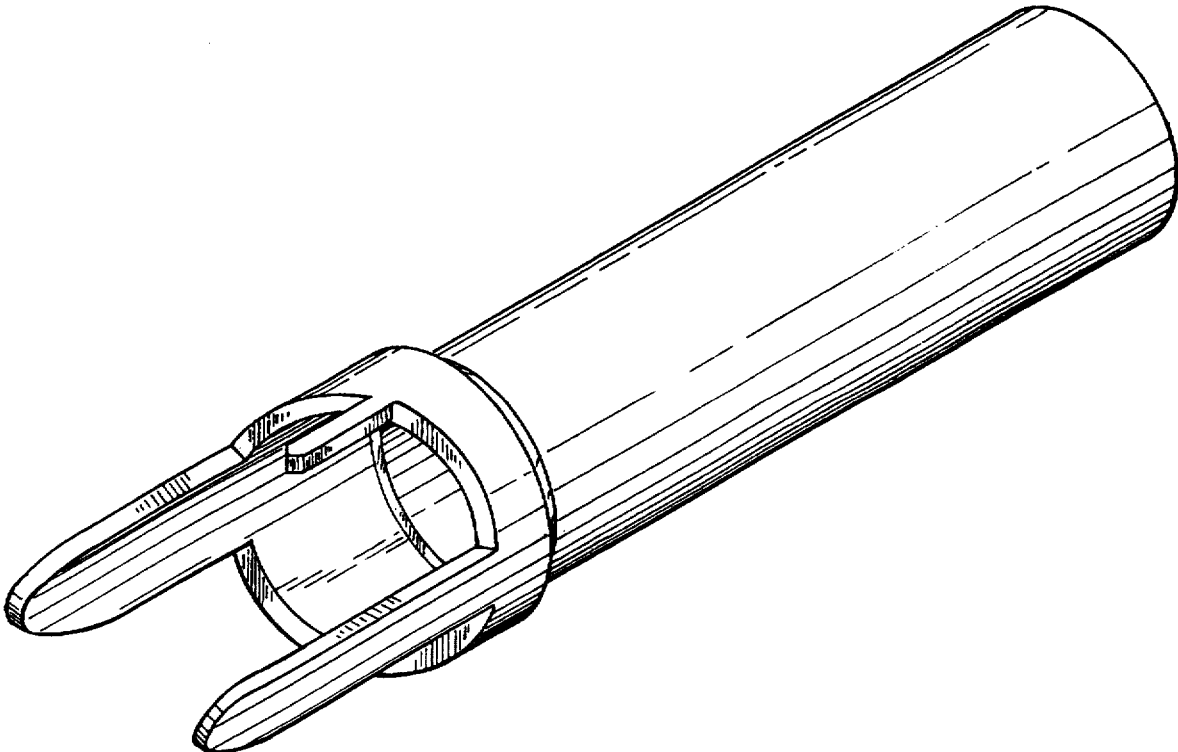
FIG. 6 is a fragmentary bottom plan view thereof.

[56] References Cited

U.S. PATENT DOCUMENTS

2,832,343 4/1958 Mose D24/135

1 Claim, 2 Drawing Sheets



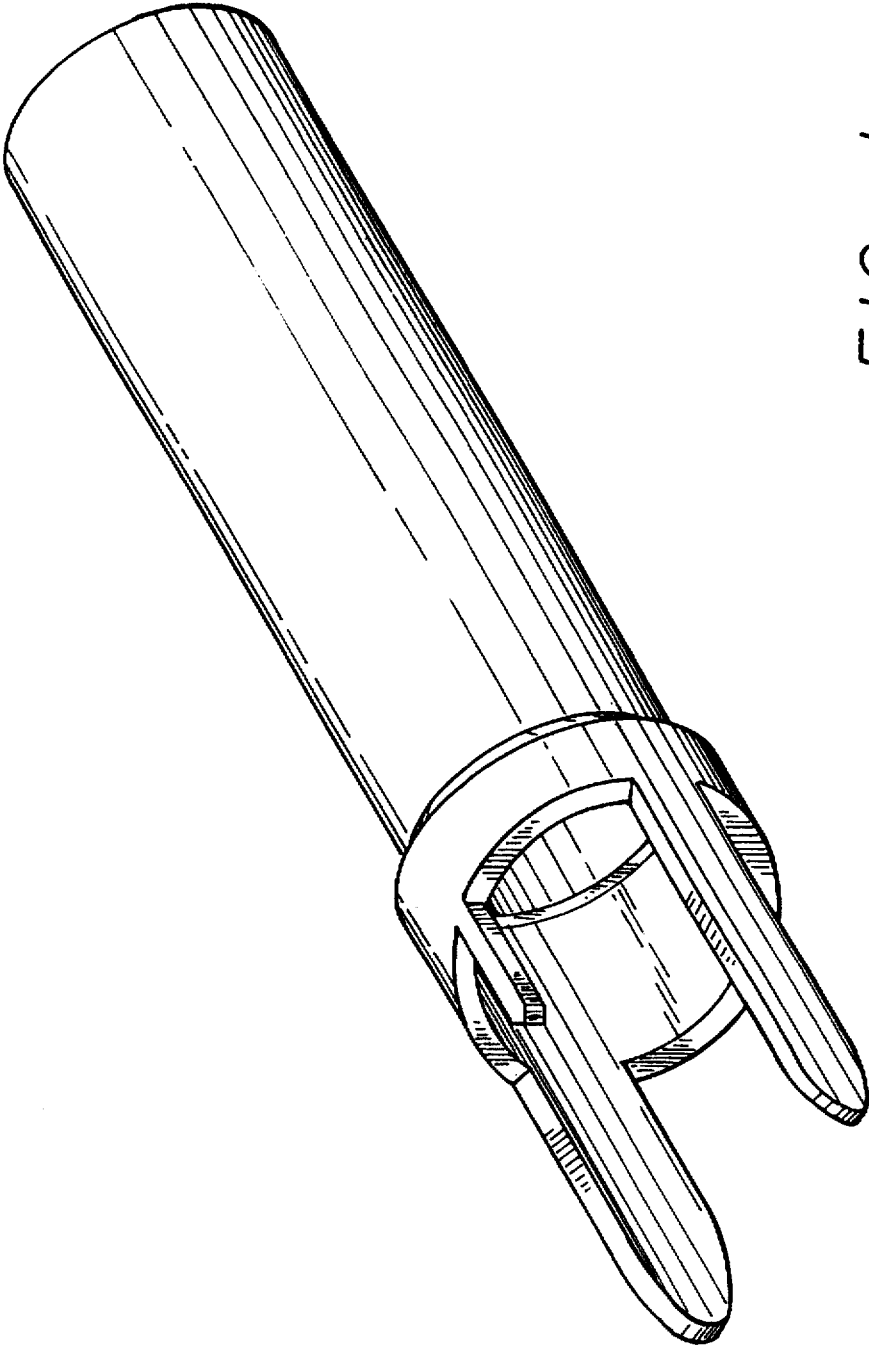


FIG. 1

FIG. 3

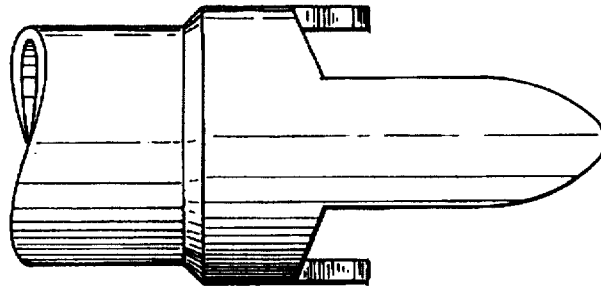
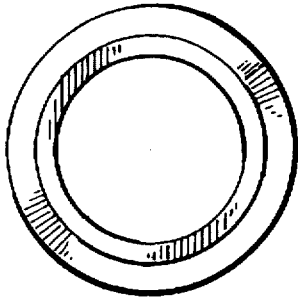


FIG. 2

FIG. 5

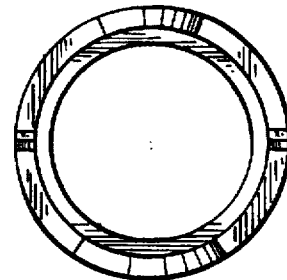
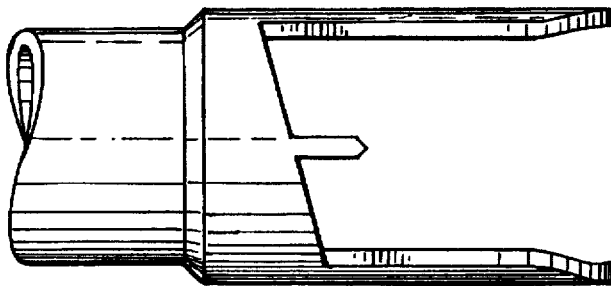


FIG. 4

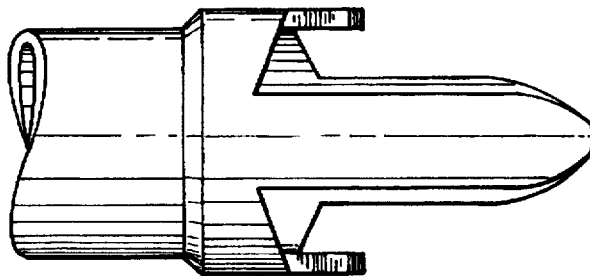


FIG. 6