



US00D374283S

United States Patent [19]

[11] Patent Number: Des. 374,283

Michelson

[45] Date of Patent: **Oct. 1, 1996

[54] **COMBINED DISTRACTOR AND SLEEVE FOR INSERTING SPINAL IMPLANTS**

[76] Inventor: **Gary K. Michelson**, 438 Sherman Canal, Venice, Calif. 90291

[**] Term: **14 Years**

[21] Appl. No.: **23,141**

[22] Filed: **May 19, 1994**

[52] U.S. Cl. **D24/135**; D24/133

[58] Field of Search D24/133, 135; 606/61, 63, 191, 198; 128/20

[56] **References Cited**

U.S. PATENT DOCUMENTS

2,832,343	4/1958	Mose	D24/135	X
3,486,505	12/1969	Morrison	D24/135	X
5,306,309	4/1994	Wagner et al.	606/61	X
5,370,662	12/1994	Stone et al.	606/232	
5,425,772	6/1995	Brantigan	606/61	X

Primary Examiner—Louis S. Zarfes

Assistant Examiner—I. Simmons

Attorney, Agent, or Firm—Lewis Anten, Esq.; Amedeo Ferraro, Esq.

[57] **CLAIM**

The ornamental design for a combined distractor and sleeve for inserting spinal implants, as shown.

DESCRIPTION

FIG. 1 is a right side perspective view of the combined

distractor and sleeve for inserting spinal implants showing my new design, with the left side perspective view being a mirror image thereof;

FIG. 2 is a top plan view of the design of FIG. 1, with the bottom plan view being a mirror image thereof;

FIG. 3 is a rear end view of the design of FIG. 1;

FIG. 4 is a front end view of the design of FIG. 1;

FIG. 5 is a left side elevational view of the design of FIG. 1, with the right side elevational view being a mirror image thereof;

FIG. 6 is a right side perspective view of a second embodiment of the design of FIG. 1, with the left side perspective view being a mirror image thereof;

FIG. 7 is a top plan view of the design of FIG. 6, with the bottom plan view being a mirror image thereof;

FIG. 8 is a rear end view of the design of FIG. 6;

FIG. 9 is a front end view of the design of FIG. 6;

FIG. 10 is a left side elevational view of the design of FIG. 6, with the right side elevational view being a mirror image thereof;

FIG. 11 is a right side perspective view of a third embodiment of the design of FIG. 1, with the left side perspective view being a mirror image thereof;

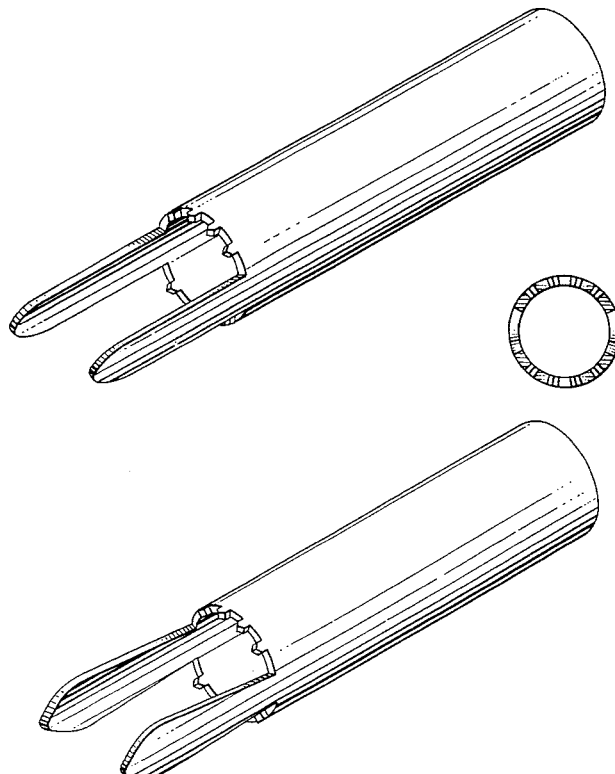
FIG. 12 is a top plan view of the design of FIG. 11, with the bottom plan view being a mirror image thereof;

FIG. 13 is a rear end view of the design of FIG. 11;

FIG. 14 is a front end view of the design of FIG. 11; and,

FIG. 15 is a left side elevational view of the design of FIG. 11, with the right side elevational view being a mirror image thereof.

1 Claim, 3 Drawing Sheets



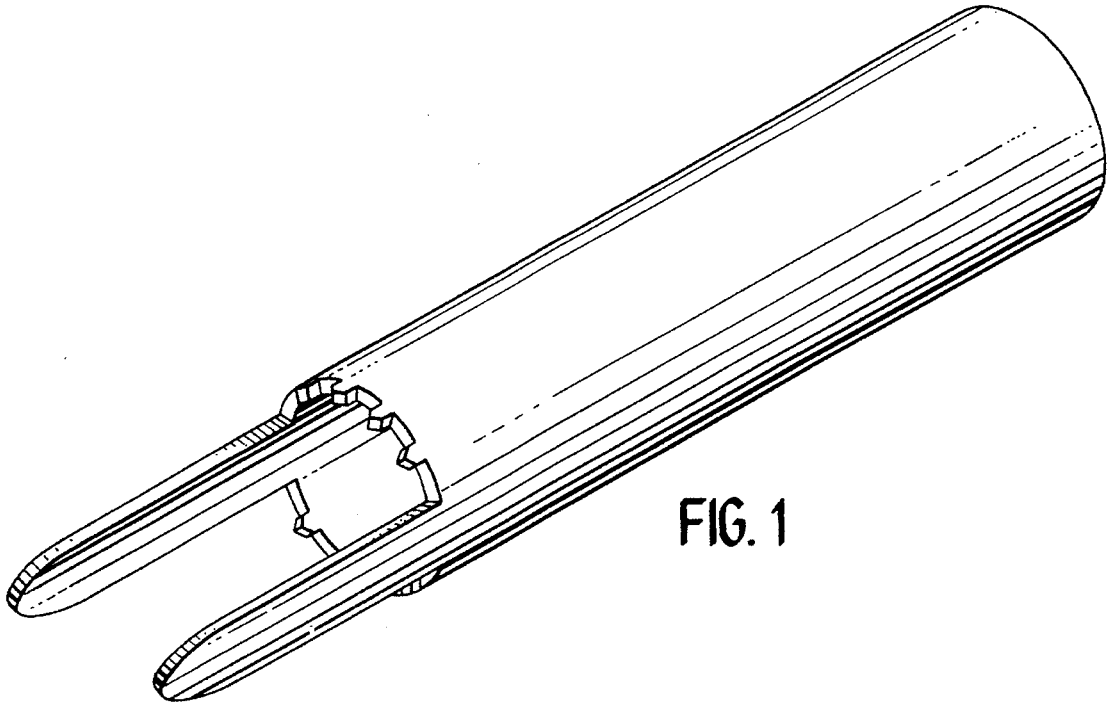


FIG. 1

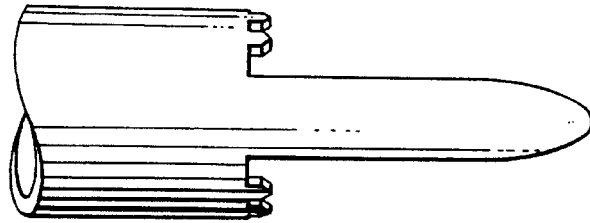


FIG. 2

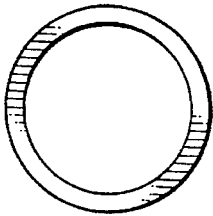


FIG. 3

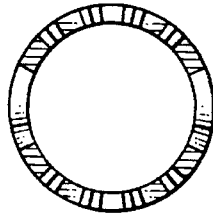


FIG. 4

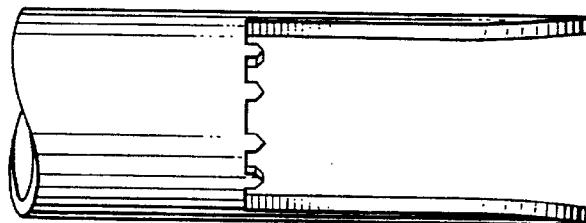


FIG. 5

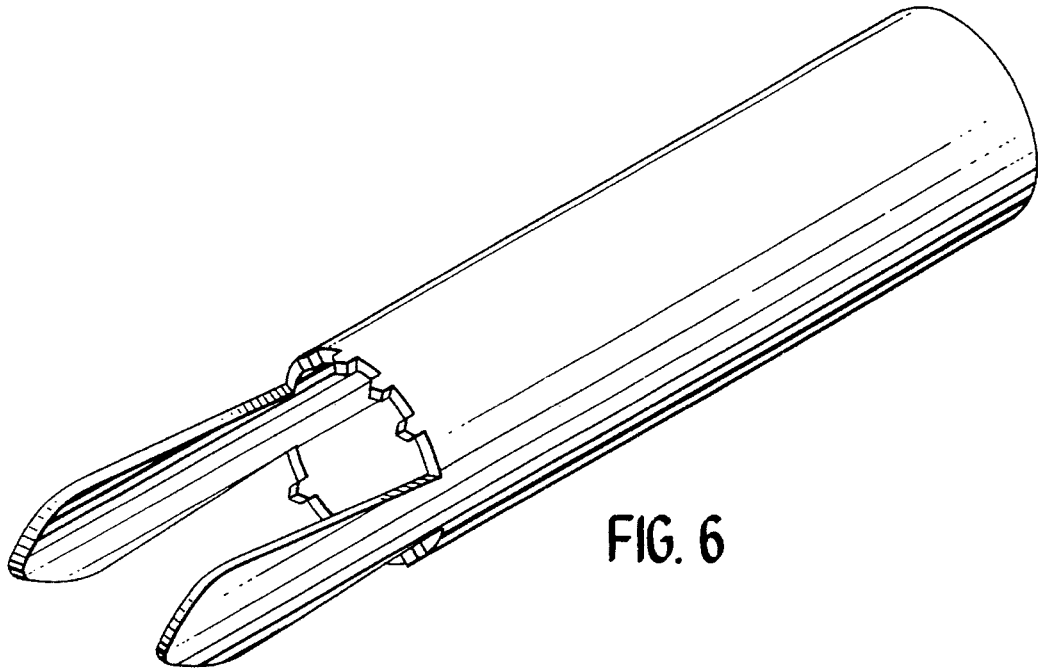


FIG. 6

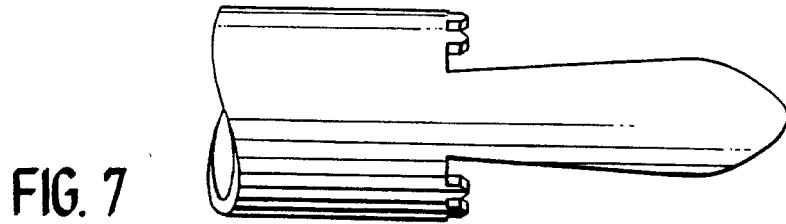


FIG. 7

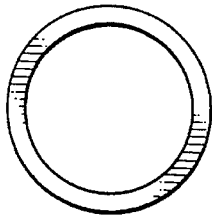


FIG. 8

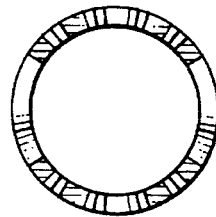


FIG. 9

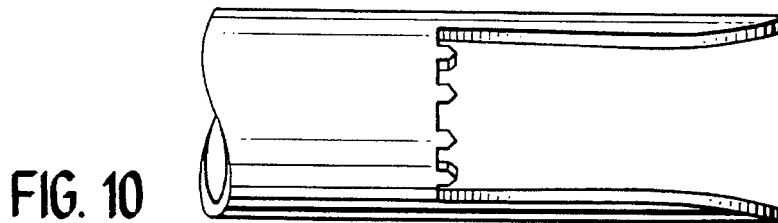


FIG. 10

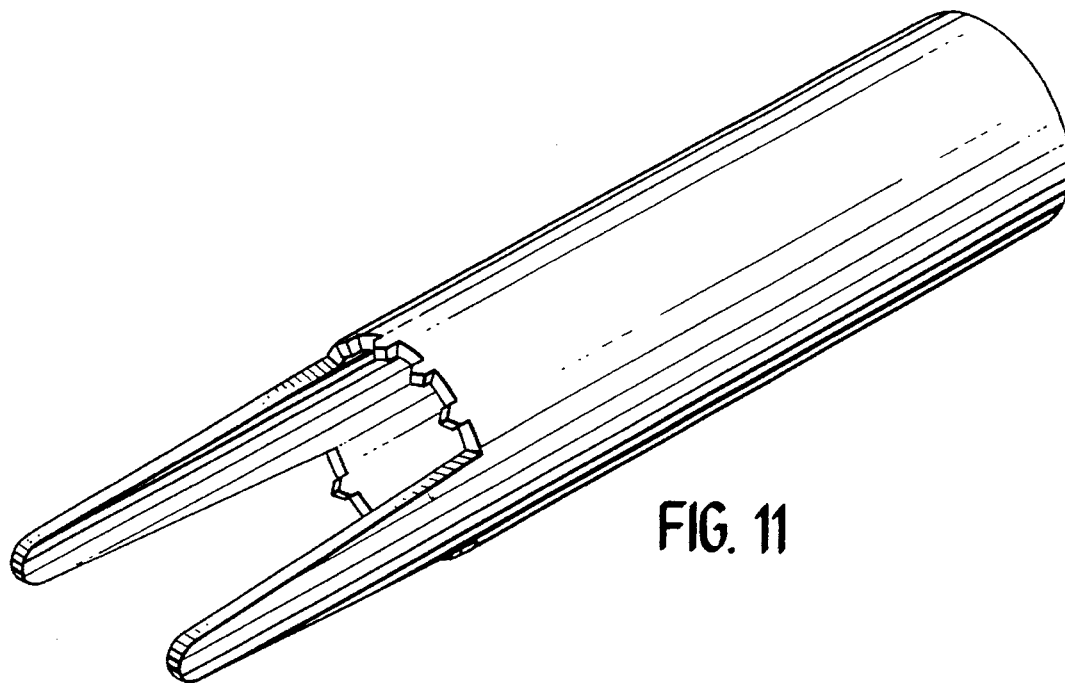


FIG. 11

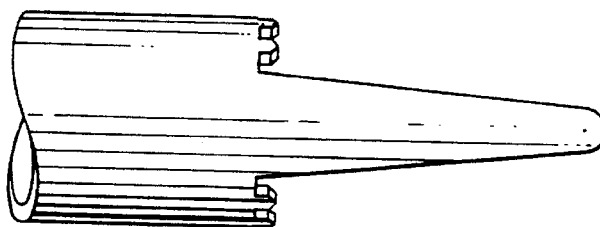


FIG. 12

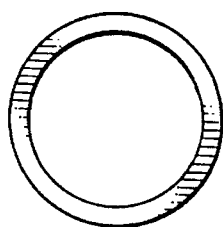


FIG. 13

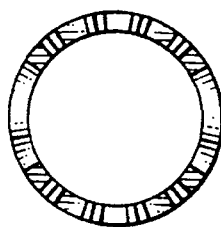


FIG. 14

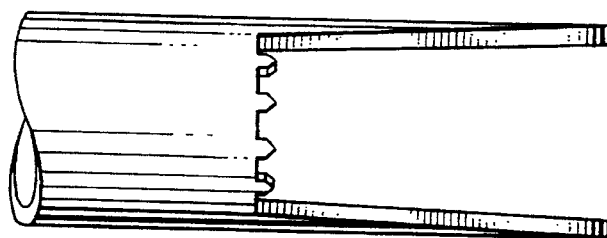


FIG. 15