



US005513827A

United States Patent [19]

[11] **Patent Number:** 5,513,827

Michelson

[45] **Date of Patent:** May 7, 1996

[54] **GOOSENECK SURGICAL INSTRUMENT HOLDER**

4,863,133	9/1989	Bonnell	248/278
4,867,404	9/1989	Harrington et al.	248/276 X
5,284,130	2/1994	Ratliff	248/160 X
5,348,259	9/1994	Blanco et al.	248/276

[75] Inventor: **Gary K. Michelson**, Venice, Calif.

FOREIGN PATENT DOCUMENTS

[73] Assignee: **Karlin Technology, Inc.**, Lakewood, Calif.

1489731	6/1989	U.S.S.R.	128/20
---------	--------	----------	--------

[21] Appl. No.: **97,945**

OTHER PUBLICATIONS

[22] Filed: **Jul. 26, 1993**

"MicroRetractors, Brain", Codman, (no date) pp. 343-344.

[51] **Int. Cl.⁶** **A61B 19/00**

Primary Examiner—Karen J. Chotkowski

[52] **U.S. Cl.** **248/279.1; 248/160; 248/183.1; 248/286.1**

Attorney, Agent, or Firm—Lewis Anten; Amedeo Ferraro

[58] **Field of Search** 248/279.1, 285.1, 248/286.1, 160, 183.1, 225.11; 128/20

[57] ABSTRACT

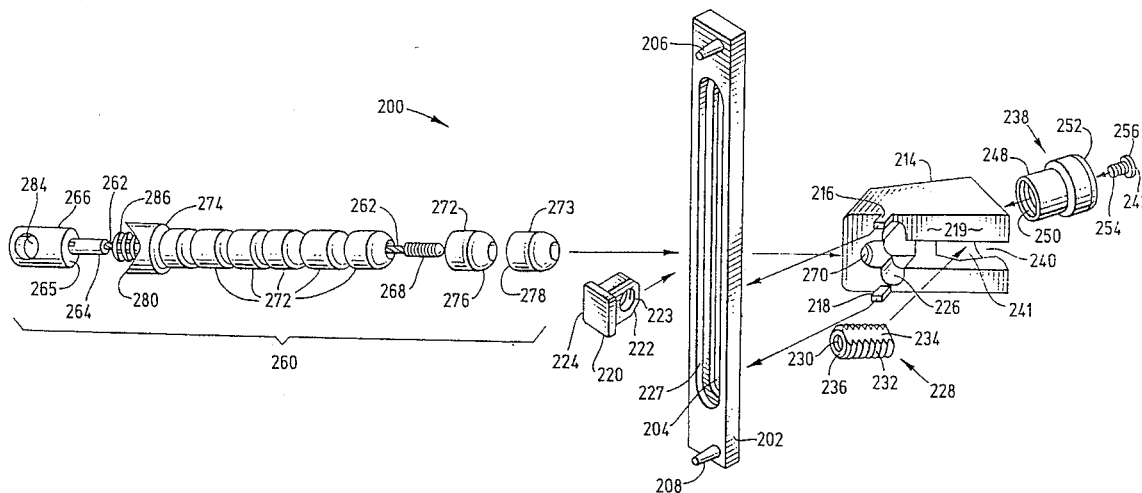
[56] References Cited

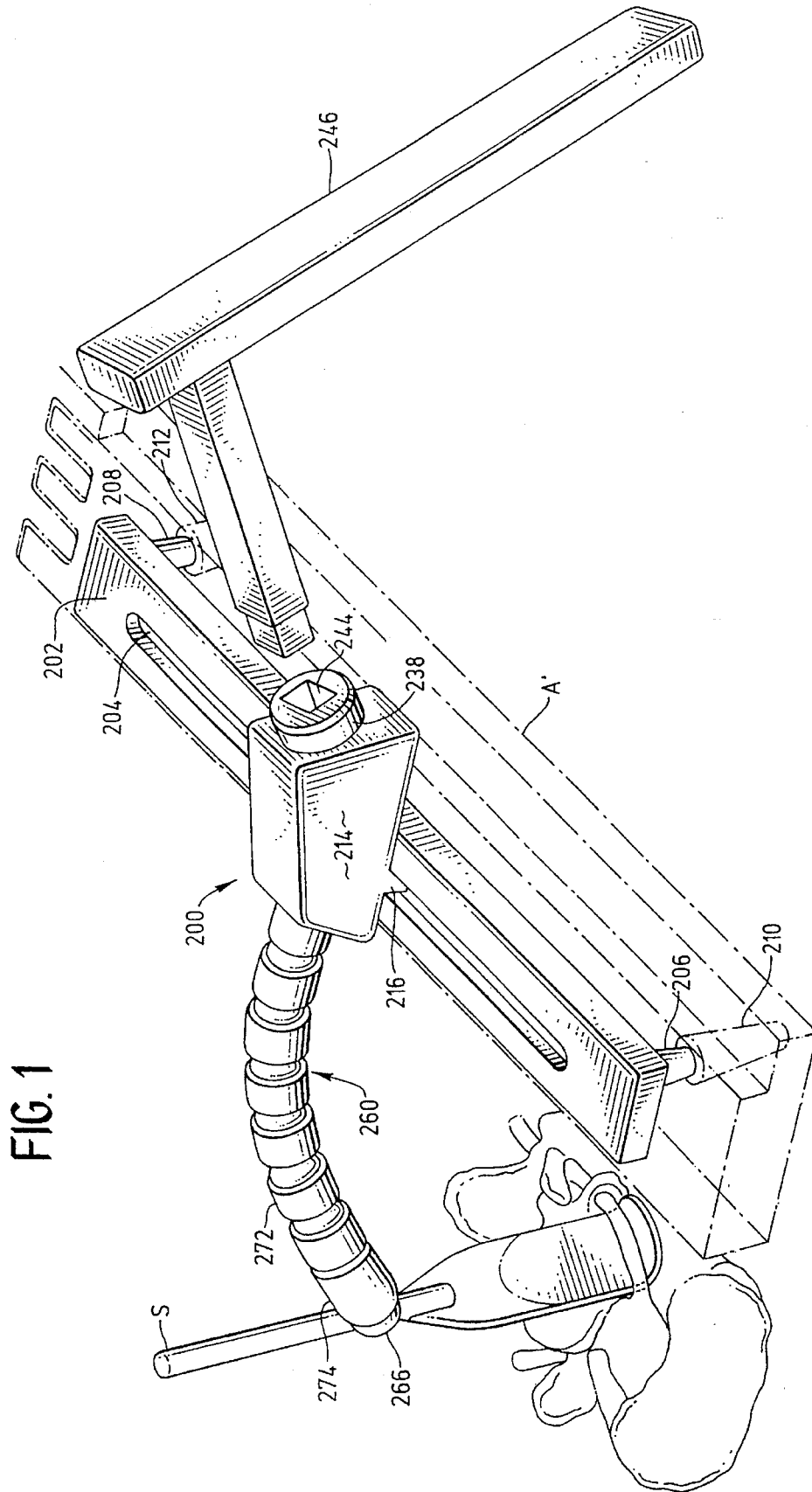
U.S. PATENT DOCUMENTS

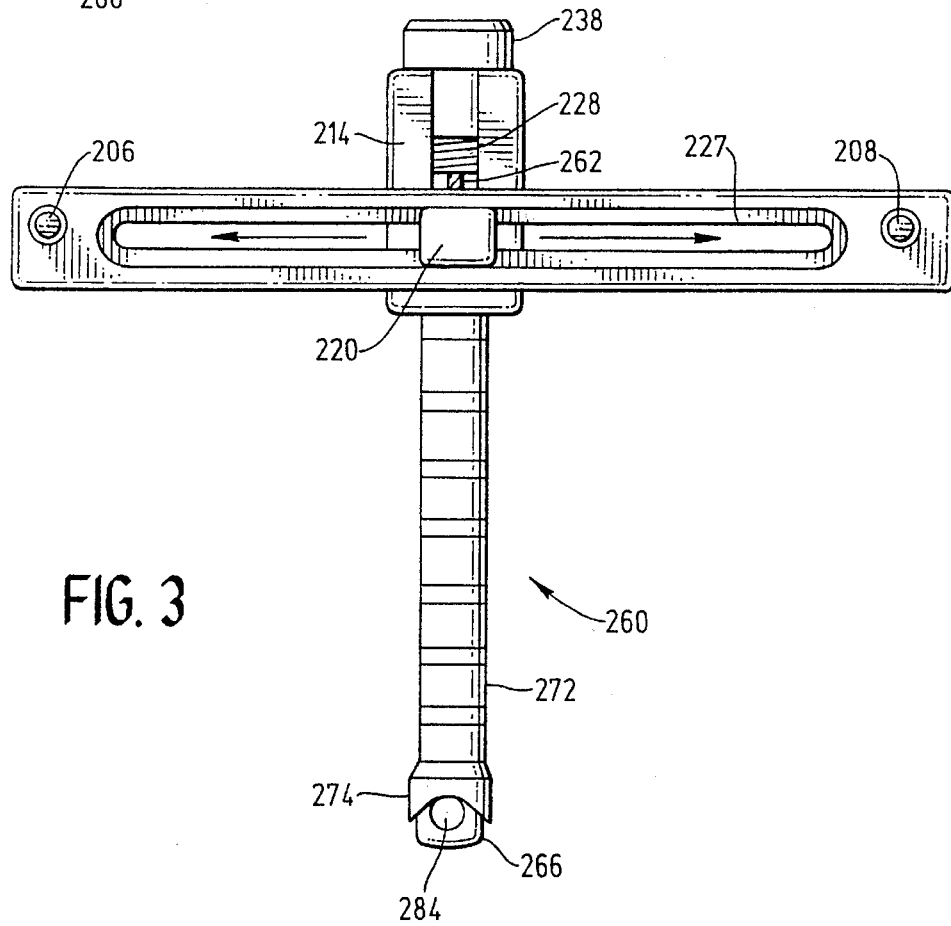
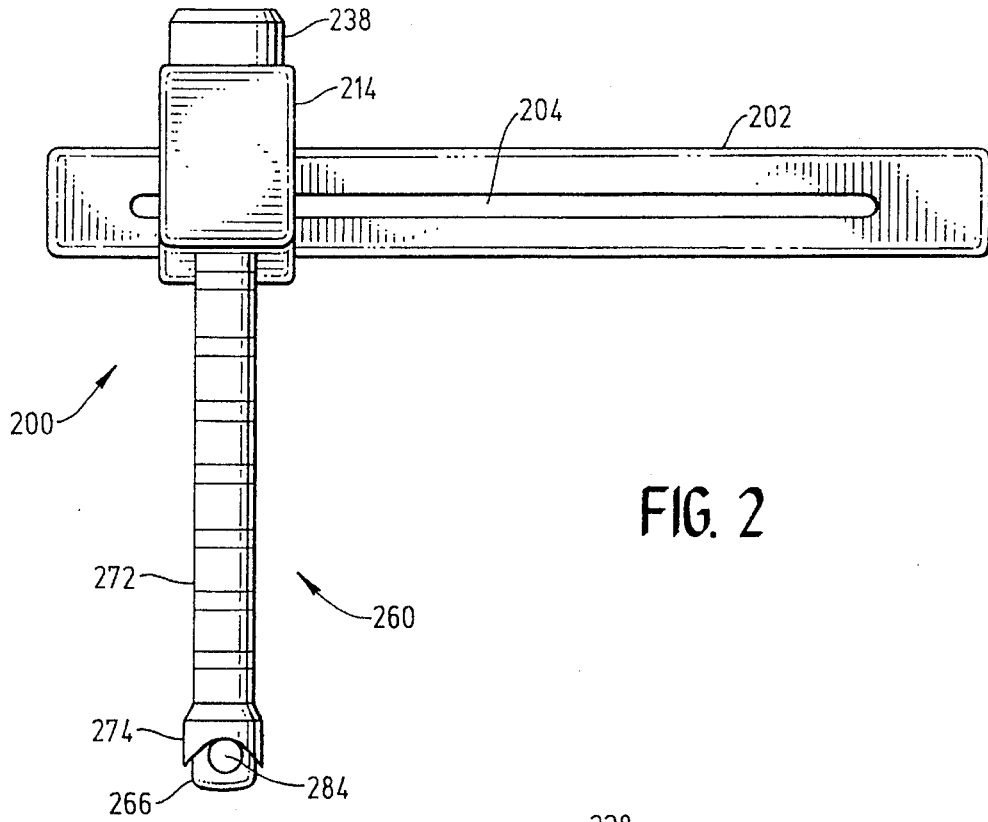
870,429	11/1907	Grimler	248/160
1,279,803	9/1918	Watson	248/160
3,133,719	6/1964	Beck	248/316.1 X
3,329,149	7/1967	Kendall et al.	248/278 X
3,858,578	1/1975	Milo	128/20
4,457,300	7/1984	Budde	128/20
4,573,452	3/1986	Greenberg	128/20
4,617,916	10/1986	LeVahn et al.	128/20

A gooseneck instrument holder having an instrument holder tip, a gooseneck, a base and a detachable fibre optic light cord is disclosed. The tip, gooseneck, and base are connected by means of a cable which passes through a deflection member in the base. Tension on the cable is adjusted by a detachable handle at the base via a bolt and serves to simultaneously tighten the tip about an instrument, to hold the gooseneck in place, and to hold the base steady so that the holder holds an instrument in place. Very small amounts of turning of the handle is necessary to adequately tighten the holder in place.

64 Claims, 9 Drawing Sheets







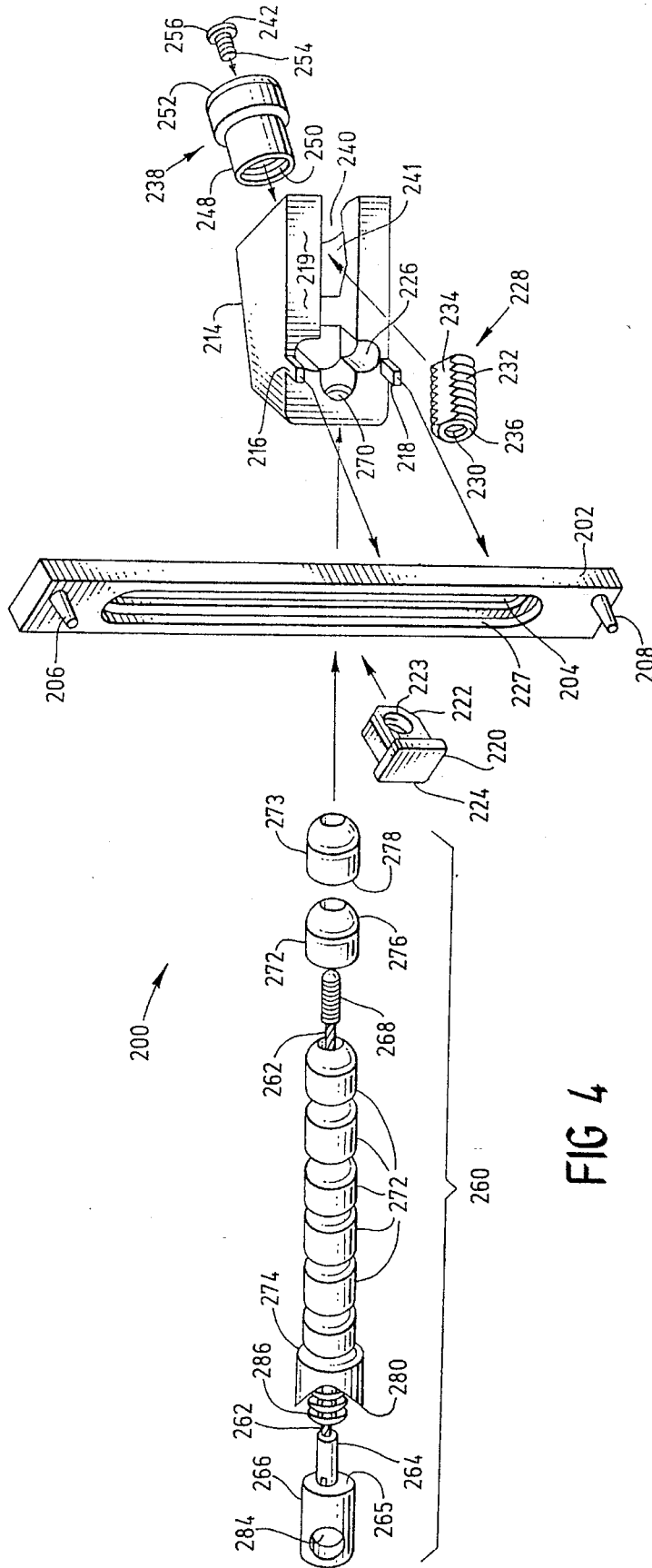


FIG 4

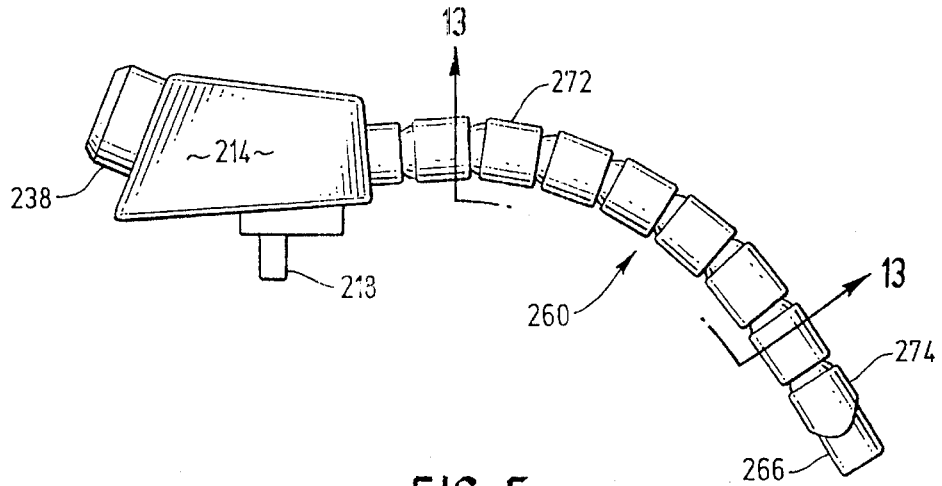


FIG. 5

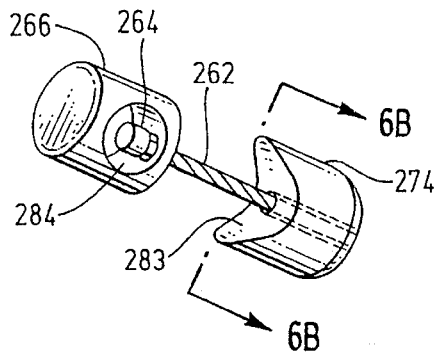


FIG. 6A

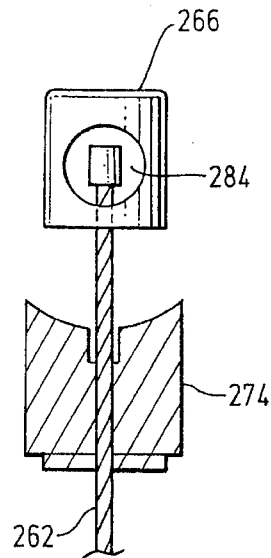
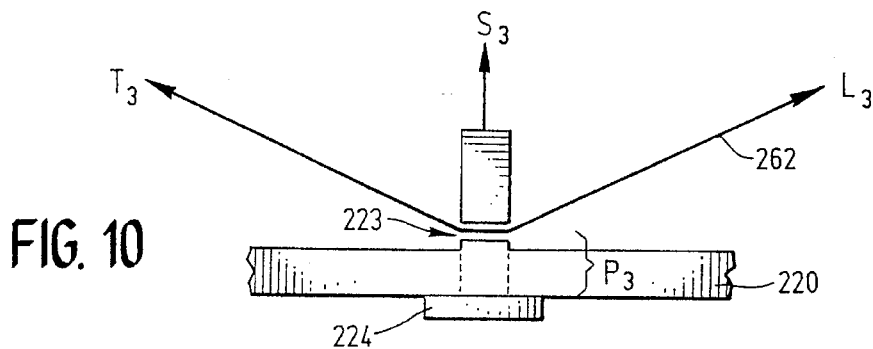
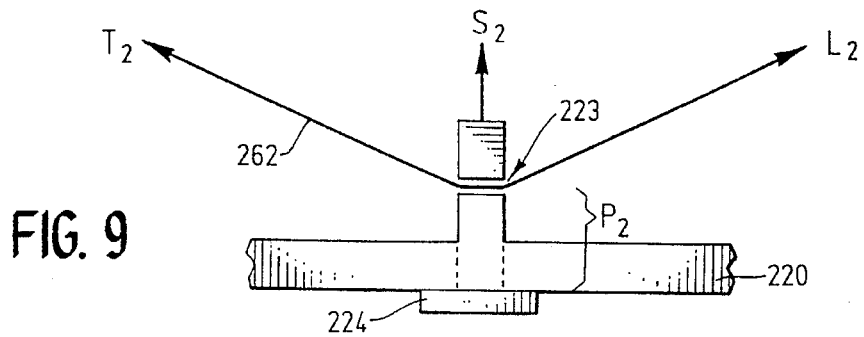
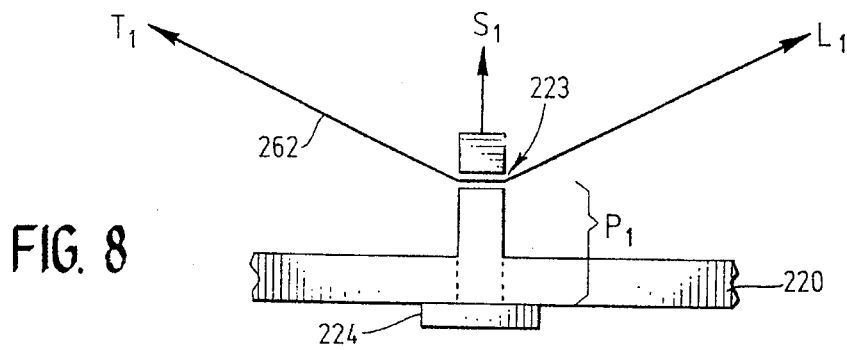
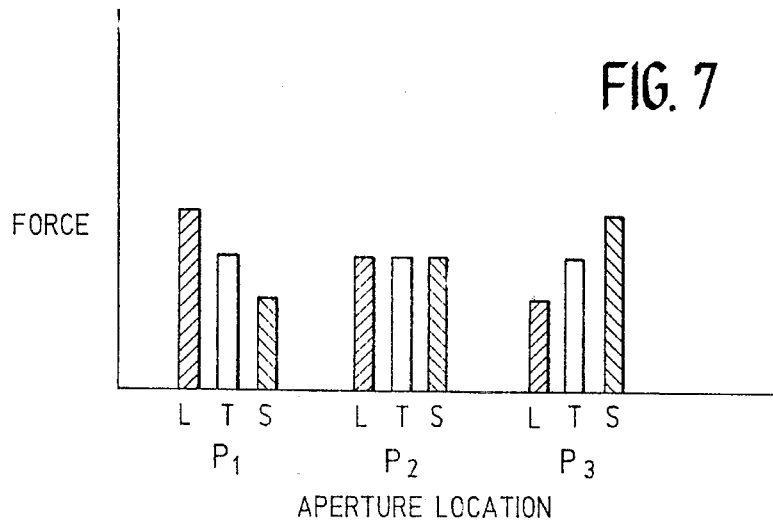


FIG. 6B



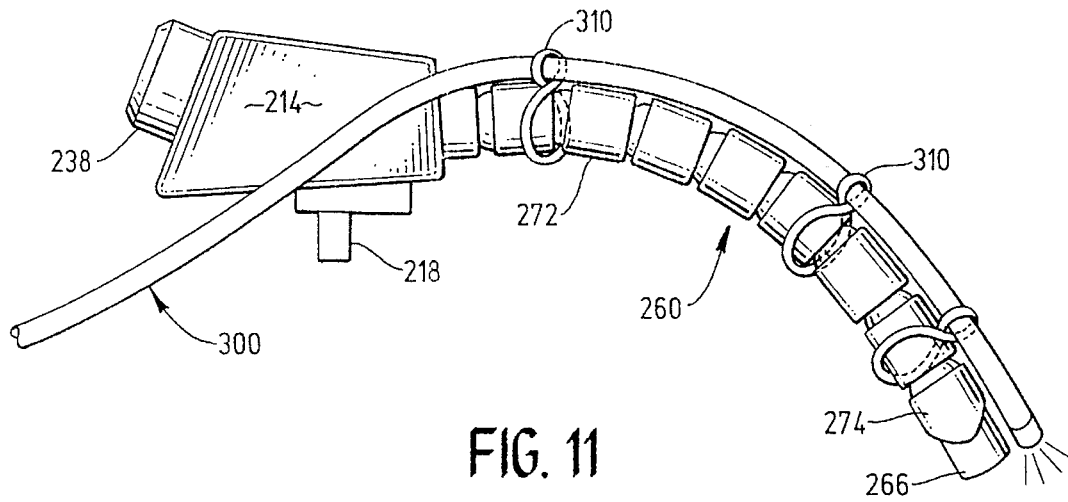


FIG. 11

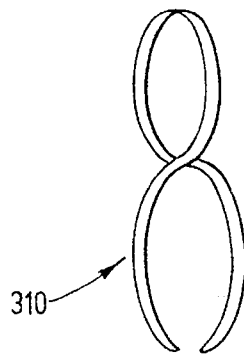


FIG. 12

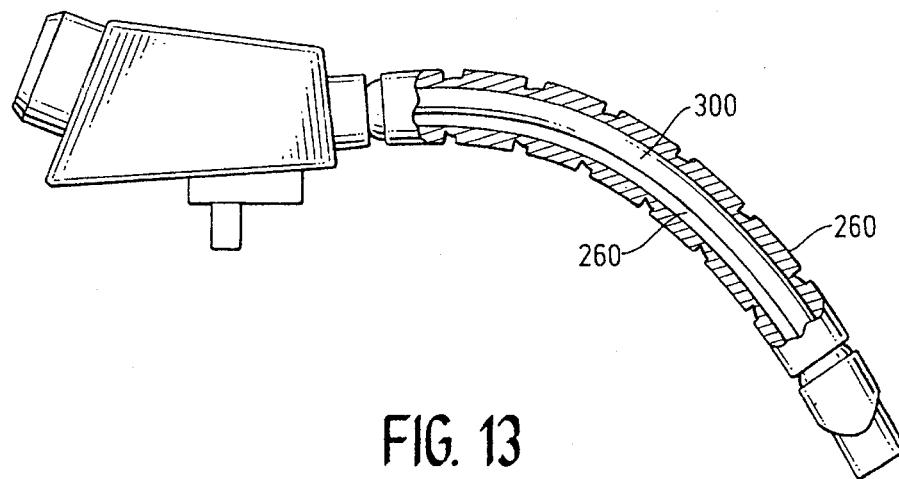


FIG. 13

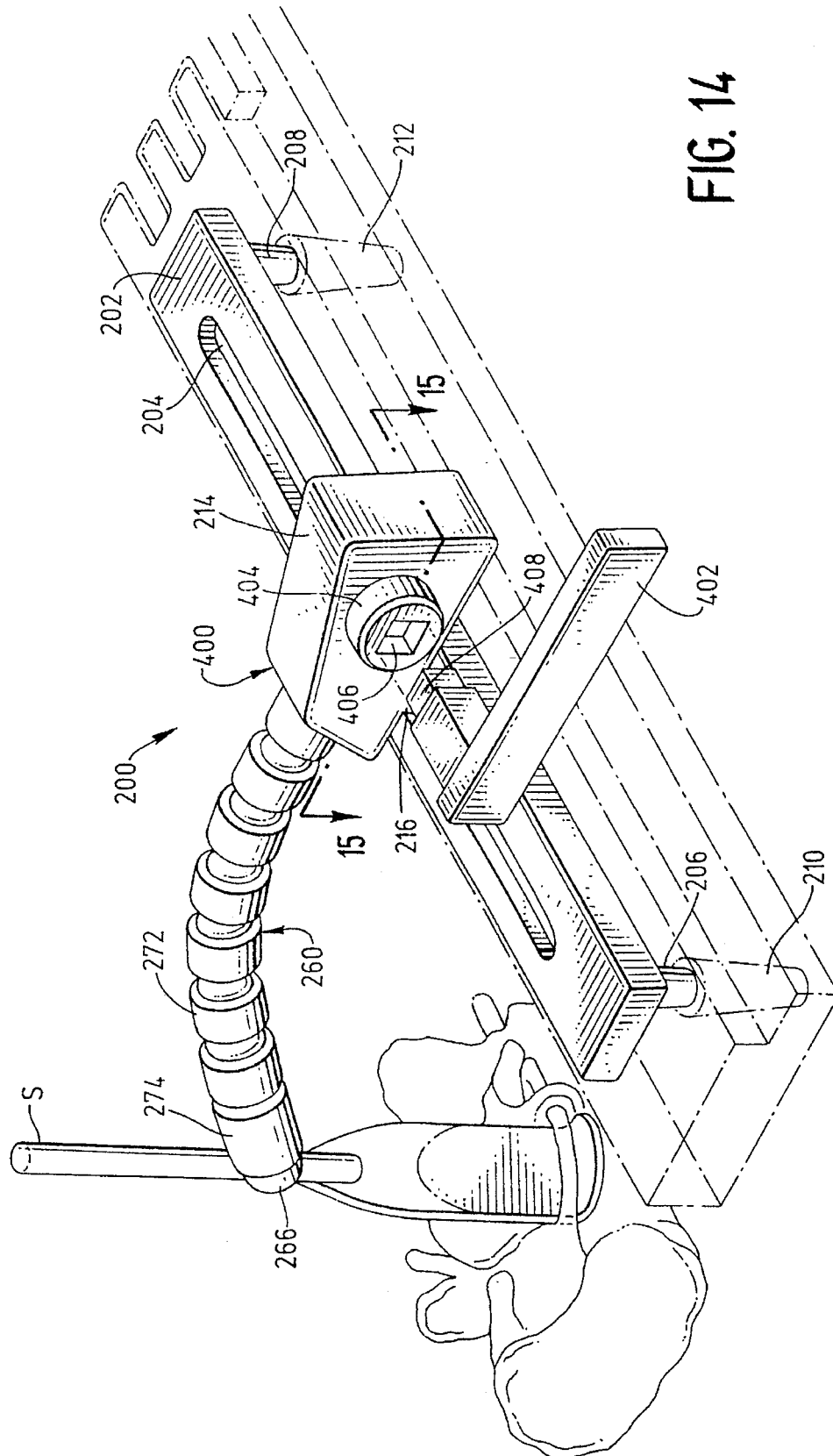


FIG. 14

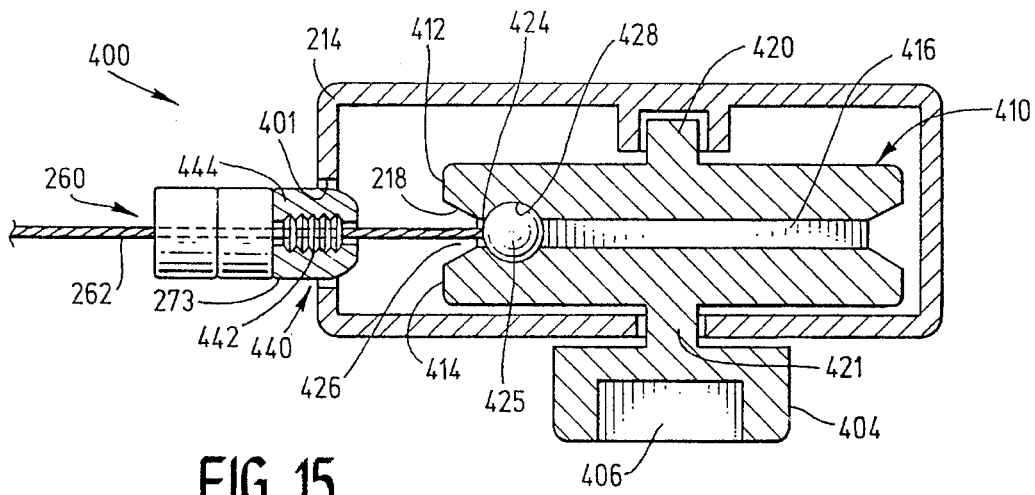


FIG. 15

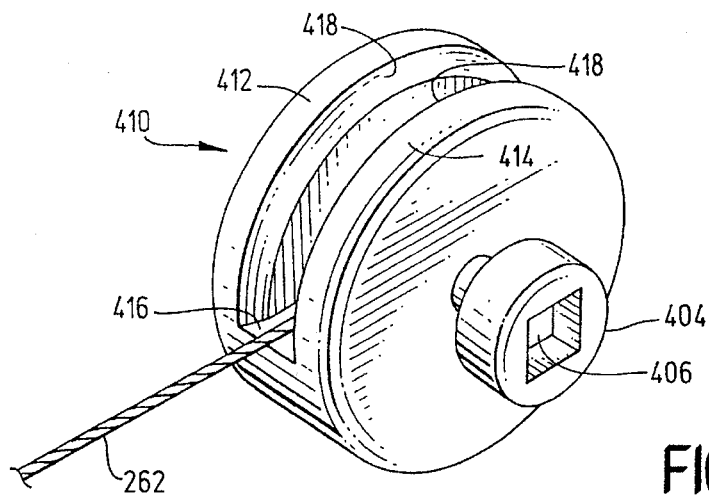


FIG. 16

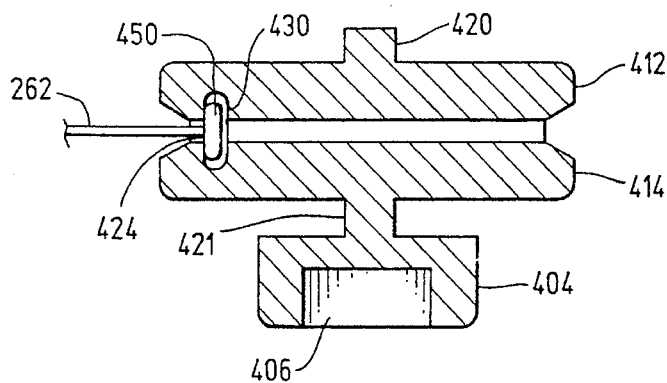


FIG. 17

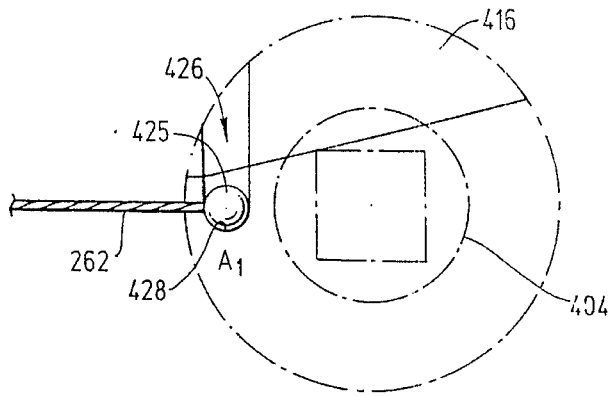


FIG. 18A

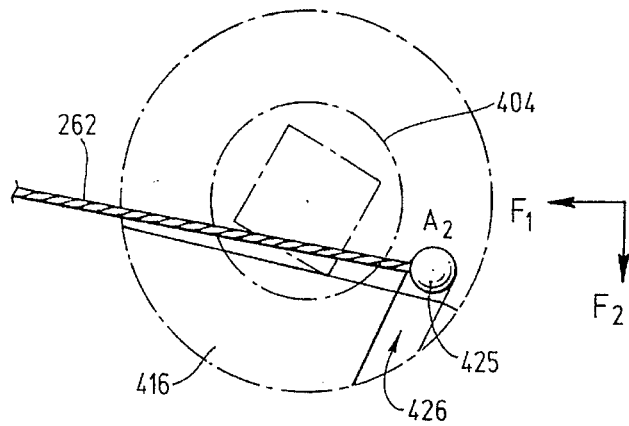


FIG. 18B

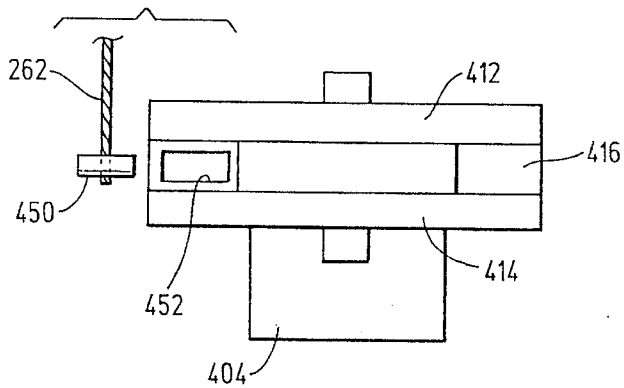


FIG. 19

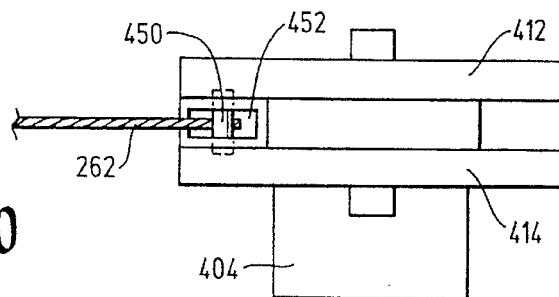


FIG. 20

GOOSENECK SURGICAL INSTRUMENT HOLDER

BACKGROUND

1. Field of the Invention

This invention relates to surgical equipment used in surgery and more particularly to surgical instrument positioning and holding means for aiding surgeons by acting as an extra hand.

2. Description of the Related Art

Prior instrument holders have been bulky and unwieldy, protruding across the operating area in order to provide great adjustability and access to the entire operating area for the instrument held. When put into use, the surgeon would sometimes have to work around the instrument holder when the instrument holder is actually there to accommodate the surgeon. While enabling some enhancements to surgical procedures, prior instrument holders did not perform as well as might be expected.

A variety of devices have been developed to assist at surgery for the purpose of three dimensionally positioning and then holding a surgical instrument. One variety of such devices utilizes a series of bars and clamps, with a terminal clamp positioned to assist in the instrument being held.

An improvement on such a device is a flexible arm device made up of a series of interlockable segments strung on a cable such that all of the segments have some freedom of movement along this cable, but when the cable is tightened the segments are pulled together and the individual segments become fixed. This is known as a gooseneck holder. While the ability to move one variable arm is an advantage over the need to simultaneously control multiple connections, as in the rod and clamp type devices, some significant problems still persist.

First, since it is necessary for the gooseneck holder arm to both reach the full extent of where it needs to go and yet be able to work close to its point of origin, it must be twice as long as the needed reach to be capable of being doubled back to return its point of origin. This is a problem because as the length of the arm and the number of segments is increased the device becomes less rigid, less stable and requires more and more cable excursion and force to gain any significant segment to segment interlock.

Secondly, while the flexible arm portion itself is stabilized by a fixed windlass mechanism at the base, this does not control the terminal instrument grasping clamp so that the surgeon must still contend with controlling several things at once.

Thirdly, while working with the holder in any position other than fully extended, the redundant portion is often a hindrance to the surgeon, compromising his visualization or access into the wound or obstructing the path of his hand as he works.

Fourthly, because of the relative long length of the flexible segments made necessary by its need to retain the capacity of being workable close to its origin, as well as at its furthest reach, the windlass mechanism needs to be of considerable length and have a relatively large handle to be able to tighten up sufficient cable slack and to have sufficient mechanical advantage so as to generate the force needed to actively pull the segments tight enough to effect a relative lock. The bulk of the positioning windlass and handle obstruct the surgeon's access and the movement of his hands about the wound, and compromises the passing of instruments into and out of the wound.

Fifthly, the long flexible arm and cable length have required multiple turns of the handle to tighten the segments of the gooseneck. Such turning is generally a problem because of the proximity of the base to the patient's body making such movements difficult.

Sixthly, the terminal instrument grasping clamp has generally been a grasp clamp bound centrally to the flexible arm and with a handle extending from one end and the grasping means or clamp portion from the other end. This is constantly in the surgeon's way, interfering with his line of sight and the free movement of his hand.

There is therefore a need for a clamp device embodying the advantages of a flexible gooseneck arm but improving it so that it is less intrusive, more efficient, and more adjustably deployable. There is also a need to eliminate the need for redundancy in the length of the flexible arm and a need for a simple means to lock the flexible segments, the terminal instrument grasping portions, and the support base in place.

SUMMARY OF THE INVENTION

The gooseneck instrument holder of the present invention has a slider support base that contains the means to lock all of the adjustable features of the holder. The slider support base slides in the slot of a bar and is connected to a gooseneck consisting of a series of individual segments strung on a central cable. One end of the cable is connected to a bolt. The other end of the cable is connected to an instrument holder tip which has a hole or opening through which the shaft of an instrument may be inserted. The operation of the instrument holder is controlled by the cable that runs the length of the gooseneck. When the bolt in the support base attached to one end of the cable is turned, the attached cable pulls at the instrument holder tip so that the shaft of an instrument held in the opening is trapped between the opening wall and the top segment of the gooseneck. The turning of the bolt also increases the friction between the articulating gooseneck segments so that they remain in place. The cable passes through a deflection member in the form of a hole in a freely sliding member that passes through the slot in the base plate. The slider support base itself is also held in place when the cable is made taut by pulling up on the deflection member. Therefore, by just tightening the cable, the gooseneck instrument holder is ready to perform in the surgical area by holding in place the instrument, and the gooseneck holder acts as an extra hand for the surgeon.

OBJECTS OF THE INVENTION

It is an object of the present invention to physically and visually unclutter the surgical area by holding instruments in an unobtrusive way.

It is a further object of the present invention to provide a gooseneck instrument holder that has a multitude of independently adjustable segments allowing redundantly for universal motion and such that all segments may be locked firmly with a single motion with a single control.

It is yet a further object of the present invention to provide a gooseneck instrument holder that is easily adjusted and set into position.

It is another object of the present invention to provide an instrument holder that cannot crush the held instrument.

It is a yet another object of the present invention to provide an instrument holder that can be set into position with a single control.

It is still another object of this invention to provide an instrument holder that may have its internal tension distribution adjustably altered.

It is yet a further object of the present invention to provide an instrument holder with a windlass winding device which may be identical to the windlass device already used for the underlying retractor.

It is also another object of the present invention to provide an instrument holder that is workable from either side of a retractor.

It is another object of the present invention to provide an instrument holder that is easy to place or remove but which remains firmly based when in use.

These and other objects of the present invention will be evident from a review of the following specification and the accompanying drawings.

BRIEF DESCRIPTION OF THE DRAWINGS

FIG. 1 is a perspective view of the gooseneck instrument holder.

FIG. 2 is a top view of the gooseneck instrument holder.

FIG. 3 is a bottom view of the gooseneck instrument holder.

FIG. 4 is an exploded, perspective, bottom view of the gooseneck instrument holder.

FIG. 5 is a side view of the gooseneck instrument holder without the base and having a fibre optic light cord disposed within the gooseneck portion.

FIG. 6A is an exploded perspective view of the tip portion of the gooseneck instrument holder.

FIG. 6B is a cross section of tip portion cradling and holding the instrument holder tip.

FIG. 7 is a bar graph showing relative force distributions within the gooseneck instrument holder.

FIG. 8 is a view of the slider pin having an opening height P_1 showing the resulting forces L_1 , S_1 and T_1 .

FIG. 9 is a view of the slider pin having an opening height P_2 showing the resulting forces L_2 , S_2 and T_2 .

FIG. 10 is a view of the slider pin having an opening height P_3 showing the resulting forces L_3 , S_3 and T_3 .

FIG. 11 is a side view of the gooseneck instrument holder without the base with a fibre optic light cord attached to the exterior of the gooseneck instrument holder.

FIG. 12 is a front view of a fibre optic light cord holder used for attaching a fibre optic light cord to the exterior of the gooseneck instrument holder.

FIG. 13 is cross section along lines 13—13 of FIG. 5 showing the cable and the fibre optic light cord within the gooseneck instrument holder.

FIG. 14 is a perspective view of an alternative embodiment of the gooseneck instrument holder of the present invention having a self-locking apparatus with a removable handle for tightening the cable.

FIG. 15 is a cross-sectional view along lines 15—15 of the self-locking apparatus of the gooseneck instrument holder in FIG. 14.

FIG. 16 is a perspective view of the central assembly of the self-locking apparatus of FIG. 15.

FIG. 17 is a cross-sectional view of an alternative embodiment of the central assembly of the self-locking apparatus attached to a cable having a T-shaped end.

FIG. 18A is a side view of the central assembly of FIG. 16 showing the cable in the unlocked position A_1 .

FIG. 18B is a side view of the central assembly of FIG. 16 showing the cable in the locked position A_2 .

FIG. 19 is a cross-sectional view of a further alternative embodiment of the central assembly having a vertical slit into which a cable having a T-shaped end may be inserted.

FIG. 20 is a cross-sectional view of the alternative embodiment of the central assembly in FIG. 19 with a cable having a T-shaped end inserted within the vertical slit.

DETAILED DESCRIPTION OF THE PREFERRED EMBODIMENTS

FIGS. 1—6B show the preferred embodiment of the present invention of an instrument holding assembly having a flexible gooseneck. The gooseneck instrument holder is referred to generally by reference number 200.

The gooseneck instrument holder 200 has a generally rectangular retractor baseplate 202 with a central longitudinal slot 204 extending substantially the length of the retractor baseplate 202. Extending downward from opposite ends of the bottom surface of the retractor baseplate 202 are two downwardly chamfered or slightly tapered, cylindrical support posts 206 and 208. The support posts 206 and 208 fit within generally elliptical holes 210 and 212 present in the arm of a crank frame retractor A' such as disclosed in U.S. Pat. No. 5,052,373, issued Oct. 1, 1991. The elliptical holes 210 and 212 may be straight walled or may also be cone or funnel shaped so that the slightly tapered cylindrical support posts 206 and 208 can easily fit in and out of the elliptical holes 210 and 212 if lifted straight up and out with no other forces applied, but if cantilevered or holding something, the support posts 206 and 208 may not be easily removed from the elliptical holes 210 and 212. The elliptical holes 210 and 212 permit the support posts 206 and 208 to be more easily inserted into the crank frame arm A' while providing a snug and secure fit. Alternatively, as it is often easier to fit one of the support posts 206 or 208 into the retractor arm A', only one of the holes 210 and 212 may be elliptical so that the second support post 206 or 208 may be more easily attached to the frame arm A'. While the present invention is described in association with the use of the arm of a crank frame retractor, it may be mounted on any number of other instruments, supports, or frames.

As shown more clearly in FIG. 4, a slider block 214 has two short arms 216 and 218 extending downwardly from the bottom surface 219 of the slider block 214. The short arms 216 and 218 correspond in width to the width of the central slot 204 in retractor baseplate 202 so that the slider block 214 can slide in the central slot 204.

Slider block 214 is slidably attached to retractor baseplate 202 by means of slider pin 220 which has an upper key portion 222 having a width slightly smaller than the width of central slot 204, an opening 223 on the upper key portion 222 having the cross section surface of the opening 223 in the plane of the axis of the central slot 204. The slider pin 220 has a lower base portion 224 having a width wider than the central slot 204. The upper key portion 222 of slider pin 220 extends through the central slot 204 and into a key hollow 226 present between the two short arms 216 and 218 of the slider block 214. The purpose of the opening 223 in slider pin 220 will be disclosed below.

The lower base portion 224 of slider pin 220 prevents the upper key portion 222 from passing through the central slot 204. The slider pin lower base portion 224 is flat and fits

within a recess 227 present in the bottom of retractor baseplate 202. The recess 227 is wider than the central slot 204 and allows the slider pin lower base portion 224 to fit flush with the bottom of the retractor baseplate 202 without allowing the slider pin 220 to pass completely through the retractor baseplate central slot 204. As will be seen below, the slider pin 220 is coupled to the slider block 214 by a cable 262 passing through the slider block 214 and the opening 223 so that the slider block 214 will not become detached from the retractor baseplate 202.

A hollow tubular threaded pin 228 also fits within a hollow 240 of the slider block 214. The threaded pin 228 is threaded both internally 230 and externally 232. In order to prevent the threaded pin 228 from turning or rotating within the slider block 214, the threaded pin 228 has two opposing flat sides 234 and 236 that correspond to hollow 240 in slider block 214 which has a flattened side wall at its lower end and is round at its upper end. The threaded pin 228 can move laterally along its length, sliding within the confines of the hollow 240 in slider block 214.

At the entrance to hollow 240 in the slider block 214, a bolt 238 fits within the upper end of hollow 240 within the slider block 214. The bolt 238 is hollow and has a reduced diameter portion 248 so that the threaded pin 228 can fit within the bottom interior of bolt 238. A screw 242 fits within the upper end of bolt 238, and screws into the interior of threaded pin 228. The bolt 238 has a square head depression 244 so that a square head wrench 246 can turn the bolt 238 within the slider block 214. The square head wrench 246 may be the same wrench used to adjust the underlying crank frame retractor A' or other instruments or supports to which the gooseneck instrument holder 200 is attached so that the square head wrench 246 is interchangeable.

The bolt 238 is internally threaded at its reduced diameter portion 248. These internal bolt threads 250 correspond to and engage the exterior threads 232 of the upper portion of threaded pin 228. When the bolt 238 is turned by the square head wrench 246, the flat sides 234 and 236 of the threaded pin 228 are fitted within the flat sides of hollow 240 to prevent threaded pin 228 from turning within the lower portion of slider block 214. Since the bolt 238 is able to turn within the cylindrical upper portion 241 of the slider block 214 while the threaded pin 228 is not, the turning of bolt 238 draws the threaded pin 228 into or expels the threaded pin 228 out from the reduced diameter end 248 of the bolt 238.

Screw 242 fits within the rear end 252 of the bolt 238 within the center of the square head depression 244. The threaded portion 254 of the screw 242 passes through the interior of the bolt 238 so that it may engage interior threads 230 of threaded pin 228. The opening through which the screw 242 passes within the bolt 238 is narrower than the head 256 of the screw 242 so that the screw 242 cannot pass through the bolt 238.

The screw 242 serves to hold the threaded pin 228 within the bolt 238 while still allowing the threaded pin 228 to move in and out of the bolt 238. The slight motion of the threaded pin 228 made by the bolt 238 is sufficient for the purposes of this invention to provide ample utility in controlling the gooseneck instrument holder 200.

Having set forth the structure of the slider block 214 and its accompanying components, the gooseneck portion 260 of the gooseneck instrument holder is now set forth.

At the core of the gooseneck portion 260 is a cable 262. At the forward end of the cable 262 is a cable tip 264. The cable tip 264 attaches to the rear end 265 of the instrument holder tip 266 of the gooseneck portion 260. At the rear end

of the cable 262 is a threaded cable tip 268. The threaded cable tip 268 passes through a cable opening 270 present at the forward end of the slider block 214, the opening 223 of the slider pin 220, and threads into the interior threads 230 of threaded pin 228. Alternatively, the threaded cable tip 268 may also be a press fitted end plug.

Surrounding the cable 262 are a series of gooseneck buttons 272. Save for the instrument holder tip button 274, each of the buttons 272 and button 273 are the same. The buttons 272 and 273 are generally cylindrical, having a spherically rounded portion convex at their rear end 276 and a spherically rounded concave portion at their forward end 278. This configuration can be reversed so that the rear end 276 is convex and the forward end 278 is concave. Alternatively the buttons 272 may be a series of balls and cups, balls and cylinders, elongated balls or any other configuration that provides the operation of a gooseneck may be used. In the present embodiment, the rounded convex rear end 276 of a button 272 fits within the rounded concave forward end 278 of the button immediately adjacent to it. Further, as the portions in contact between two adjacent buttons are spherically rounded, they are able to articulate with respect to each other. As is explained in more detail below, the buttons 272 are held together by compressive forces applied by tightening cable 262. As the buttons 272 are able to slide and articulate with respect to each other, the gooseneck portion 260 may be bent, formed or rotated into a number of convenient positions.

The cable forward facing aspect of opening 270 in slider block 214 is formed so that it matches the protruding rounded convex rear end 276 of the button 273 as if it were another adjacent button. The rear end of the instrument holder tip button 274 is the same as the rear 276 of a gooseneck button 272. However, the forward end 280 of the instrument holder tip button 274 is constructed to receive the instrument holder tip 266.

As shown in FIGS. 6A and 6B, the instrument holder tip button 274 is v-shaped at its forward end 280 to cradle and hold firm the instrument holder tip 266. The cylindrical shaft S of an instrument may be inserted into the opening 284 of instrument holder tip 266. The instrument holder tip 266 is constructed so that the shaft S of an instrument, such as a neural retractor, fits closely within the opening 284 of the instrument holder tip 266. When the cable 262 pulls the instrument holder tip 266 towards the instrument holder tip button 274, the lower end of instrument holder tip 266 moves into the v-shaped forward end 280, pulling the shaft S of the instrument contained in tip opening 284 toward the forward end 280 of instrument holder tip button 274. This snugly holds the instrument shaft S between the instrument holder tip button 274 and the upper end of tip opening 284.

In order to allow easy insertion and removal of a shaft S from the instrument holder tip 266, a spring 286 is located between the rear end 265 of instrument holder tip 266 and instrument holder tip button 274 and urges the instrument holder tip 266 away from the instrument holder tip button 274. When there is slack in cable 262, the spring 286 urges the instrument holder tip 266 away from the instrument holder tip button 274. The tip opening 284 is then made more readily accessible for easier instrument shaft S insertion or removal. The contemplated distance of travel for the instrument holder tip 266 with respect to the instrument holder tip button 274 is only one-tenth of a millimeter. Despite this short distance, it is sufficient to securely hold shaft S while also allowing easy insertion and removal of the instrument.

The top surface 283 of the forward end 280 of instrument holder tip button 274 provides a seat for the instrument

holder tip 266 so that the instrument holder tip 266 can travel only a short distance before it rests on the top surface 283 of the instrument holder tip button 274. This ensures that the gooseneck instrument holder 200 cannot be overtightened by preventing the instrument holder tip 266 and the instrument holder tip button 274 from excessively closing the tip opening 284. Therefore, the instrument shaft S held within tip opening 284 cannot be crushed between the instrument holder tip 266 and the forward end 280 of instrument holder tip button 274, yet the instrument shaft S remains firmly held in place. By stretching the desired resistance of spring 286 which may be a series of stacked spring washers such as Belleville washers, an instrument shaft S can be securely but adjustably held by the forces exerted by the spring 286 against the instrument holder tip 266 until the final cable tightening is completed. The spring 286 holds the instrument holder tip 266 in line with the gooseneck portion 260 while all components of the holder device remain adjustable including the rotation of the holder tip 266.

Threaded cable tip 268 of cable 262 passes through each of the gooseneck buttons 272 including the instrument holder tip button 274, into the slider block 214 through the cable opening 270, and through the slider pin opening 223. The threaded cable tip 268 of the cable 262 is then threaded into the lower end of threaded pin 228 via the interior threads 230. Since the threaded pin 228 threads into the bolt 238, turning bolt 238 increases or decreases the tension in the cable 262 (L force), and therefore the force present at the instrument holder tip 266 and instrument holder tip button 274 (T force), and the force holding the slider block 214 to the retractor baseplate 202 (S force).

The slider pin 220 serves as a means for diverting the path of the cable 262 and thus varying the relative forces associated with tightening the cable. The three forces (L, T, and S) can be relatively controlled by varying the location of the opening 223 in slider pin 220. For the gooseneck instrument holder 200, when the cable 262 is tightened by the bolt 238, the forces are distributed within the gooseneck instrument holder 200 according to the deflection of the cable by the slider pin 220 and the slider pin opening 223. The lesser deflection, the cable 262 is deflected less away from its normal course to the instrument holder tip 266. The greater the deflection, the greater force applied to the slider pin 220.

Referring to FIGS. 7-10, the height of the slider pin opening 223 can be changed to control the amount of the forces L, T, and S on the tip, line, and slider as well as the relative timing of the forces being applied. For example, if taking three different slider pins each have unique slider pin opening heights, the height being the distance from the top of the central slot 204, a position P₁ is furthest away from the slider pin lower base portion 224. Another slider pin opening will be between the other two in height P₂, and the third slider pin opening will be the lowest P₃ and closest to the slider pin lower base portion 224.

As the cable 262 is tightened by turning the bolt 238, more force is exerted and applied to the cable 262 (force L for line), while relatively less force is exerted by the cable 262 on the slider pin 220 as it tries to pull the slider pin 220 upwardly against the retractor baseplate central slot 204 (force S for slider). The force upon an instrument shaft S held by the instrument holder tip 266 (force T for tip) is controlled by the instrument holder tip button 274 and as set forth above, cannot exceed a certain maximum force. The force T on the tip can be different from the line force L in that the v-shaped forward end 280 provides a seat for the instrument holder tip 266 so that the instrument holder tip 266 is prevented from travelling any further than top surface

283 of the instrument holder tip button 274 as the cable is tightened by increasing the line force L. By limiting the distance that the instrument tip can travel, the force T that is applied to the instrument shaft S is also limited. In addition, when spring 286 is comprised of stacked spring washers, counterforces of the washers also act against the instrument holder tip 266. These counterforces act to hold an instrument shaft S within the instrument holder tip 266 while the other parts of the gooseneck instrument holder 200 are being adjusted.

For a greater cable deflection as with a P₃-type slider opening 223, with the opening lower, a greater force S is transmitted to the slider pin 220 and the slider block assembly 214 is more tightly held to the retractor baseplate 202 when the cable 262 is tightened by the bolt 238. For an intermediate cable deflection as with a P₂-type slider opening 223, forces having intermediate strengths are distributed to the line, tip, and slider. FIG. 7 shows by bar graph the relative values of exerted forces for different opening 223 locations.

When the bolt 238 is not tightened to hold an instrument shaft S at the gooseneck tip, the spring 286 applies some tension to the cable 262 and helps to keep it taut. When the cable 262 is not tightened to hold an instrument shaft S, the gooseneck portion 260 of the gooseneck instrument holder 200 can be freely flexed, bent, and twisted and the gooseneck buttons 272 articulate with respect to each other as the friction between each of the elements in the gooseneck portion 260 is relatively low. The inter-element friction may be so low as to prevent the gooseneck from holding its position once placed. If so, the bolt 238 is turned sufficiently to make taut the cable 262 so that the gooseneck portion 260 will hold a position.

When the surgeon has chosen his instrument shaft S and inserted it into the tip opening 284, the cable is made taut by turning the bolt 238. Even though the cable 262 is somewhat taut, the gooseneck portion 260 can still articulate yet hold a position once it is so placed. When the surgeon has positioned the gooseneck portion 260 in the desired position, the gooseneck instrument holder 200 is so constructed that only a one-quarter turn of the bolt 238 as applied through the square head wrench 246 is required to hold the gooseneck portion 260 in place.

Ninety to ninety-five percent of the tension needed to hold the gooseneck instrument holder 200 in place is normally kept upon the cable 262. At this tension, instruments may be inserted into the instrument holder tip 266 and the gooseneck portion 260 can be manipulated into a stable position. By turning the bolt 238 the one-quarter turn, the remaining five to ten percent of the tension required to hold an instrument shaft S in the gooseneck instrument holder 200 in place is applied. At full tension, the gooseneck instrument holder 200 stably holds the instrument shaft S in place during the surgical procedure. The one-quarter turn to fully engage the gooseneck instrument holder stands in contrast to the eight or nine turns needed for prior art instrument holders.

As only one motion, the turning of the bolt 238 by the square head wrench 246, is required to secure the instrument shaft S held at the tip to secure the position of the gooseneck portion 260, and to secure the slider block 214 to the retractor baseplate 202, an enormous advantage and convenience is provided to the surgeon as these three points of operation are simultaneously addressed and are made adjustable by the positioning of the slider pin opening 223.

A further advantage to the gooseneck instrument holder 200 is its low profile which is further enhanced by the

removable square head wrench **246** which since it is removable, can be longer than customary offering the additional advantage of increased leverage. Thus, less force is required and a larger thread excursion can be utilized requiring less turns. While prior art holders were more convenient to use on the side of the patient away from the surgeon due to their high profile, the gooseneck instrument holder **200** of the present invention may be conveniently used on either side of the patient.

The gooseneck instrument holder of the preferred embodiment has the following dimensions:

The overall length of the gooseneck instrument holder **200** is approximately 6 inches. The length of the gooseneck portion **260** is approximately 4 and $\frac{3}{4}$ inches. The height of the slider block **214** is approximately 1 inch. The central slot **204** of the retractor baseplate **202** is approximately $\frac{7}{32}$ inches wide by approximately 6 inches long. The opening **223** of the slider pin **220** has a diameter of approximately $\frac{3}{32}$ inches. The hollow **240** of the bolt **238** has a diameter of approximately $\frac{5}{8}$ inches. The tip opening **284** has a diameter of approximately $\frac{1}{4}$ inches. The cable **262** has an overall length of 5 and $\frac{1}{2}$ inches and a diameter of $\frac{3}{32}$ inches. The flexible shaft has a diameter of approximately $\frac{1}{16}$ inches.

While the present invention has been described with regards to particular embodiments, it is recognized that additional variations of the present invention may be devised without departing from the inventive concept. Referring to FIGS. **11-13**, such variations include the use of fibre optics or other illumination sources associated with the instrument holder tip to illuminate the area involved in the surgical procedure.

A fibre optic light cord **300** may be attached to the gooseneck portion **260** by way of fibre optic light cord holders **310** which secure the fibre optic light cord **300** to the gooseneck buttons **272** as shown in FIGS. **11** and **12**.

An alternative embodiment of the present invention is shown in FIG. **13** having a fibre optic light cord **300** contained internally within the gooseneck portion **260** so that it passes through the gooseneck buttons **272** alongside cable **262** is also within the scope of the present invention.

Further, while the gooseneck holder has been described in association with the arm of a crank frame retractor, the gooseneck holder can be used in association with any other instrument or device capable of forming a support base structure, such as a stereotactic frame or table, etc.

In an alternative embodiment, a series of openings **223a-n** may be employed, with the appropriate opening selected to provide the desired characteristics of forces. Also, rather than an opening **223**, slots or notches may be employed in order to direct the path of the cable.

As shown in FIGS. **14-16**, a further alternative embodiment of the gooseneck holder **200** utilizes a self-locking apparatus **400**. The self-locking apparatus **400** has an off-centered, self-locking central assembly **410** that comprises two side-by-side wheels **412, 414** connected to each other by a stop **416**. The central assembly **410** is pivotably mounted to the slider block **214** by axles **420, 421** that extend from the outer surface of the wheels **412, 414** and are perpendicular to the sides of the wheels, but do not pass through the interior space between the wheels **412, 414**.

Cable **262** has an attachment end tip **424** that has a ball **425** which fits into slot **426** formed between the wheels **412, 414** as shown in FIG. **15**. At the bottom of the slot **426** is a rounded recess **428** that has a diameter that is slightly larger than the diameter of the ball **425**. Once the ball **425** is inserted into the slot **426** and is seated within the recess

428, it pivots within the recess **428** and is held in place as the central assembly **410** is rotated. As an alternative, in place of ball **425** the end tip **424**, may have a cylindrical bar **450** at its end so that the end tip **424** is T-shaped as shown in FIG. **17**. The bar **450** fits into a cylindrical recess **430** so that the bar **450** pivots within the recess **430** as the central assembly **410** is rotated. The slider block **214** has an aperture **401** through which cable **262** and end tip **424** can pass in order to removably insert the ball **425**, or in the alternative the bar **450**, into the slot **426** and recess **428** or **430** in the wheels **412, 414**.

Referring to FIG. **18A**, when the central assembly **410** is unlocked, the ball **425** of the cable **262** is at position A_1 . As the central assembly **410** is rotated clockwise, the cable **262** moves in the direction of the rotation so that the tension on the cable **262** is increased. The cable **262** is maintained in line with the gooseneck portion **260** by the pivoting motion of the ball **425** within the recess **428** and is guided by a tapered lip portion **418** of the wheels **412, 414**. Once the rotation of the central assembly **410** exceeds 180 degrees from position A_1 , the cable **262** exerts a horizontal force F_1 in the direction of the gooseneck portion **260** and a vertical downward force F_2 to pull the central assembly **410** clockwise in an attempt to return the central assembly **410** to its original position A_1 . When the ball **425** is at position A_2 which is more than 180 degrees from position A_1 , the stop **416** contacts the cable **262** and functions to block any further clockwise movement of the central assembly **410** once the cable **262** comes into contact with the stop **416**. The forces F_1 and F_2 are sufficiently great to keep the cable **262** biased against the stop **416** and prevent the central assembly **410** from rotating counter clockwise so that central assembly **410** is locked at A_2 as shown in FIG. **18B**. Thus, the locking apparatus **400** is self-locking by simply rotating the central assembly **410** a distance greater than 180 degrees from position A_1 . The locking apparatus **400** is unlocked by rotating the central assembly **410** counter clockwise towards position A_1 so that the end tip **424** of the cable **262** is less than 180 degrees from position A_1 .

When the locking apparatus **400** is in its unlocked position, A_1 , the tension on the cable **262** is less than full tension. When the locking apparatus **400** is in its locked position, A_2 , the cable **262** is at full tension. In this manner, the locking apparatus **400** provides a one-step tightening means for tightening the cable **262** to full tension.

As it is preferred to have the cable **262** at full tension when it is in the locked position A_2 , the button **273** of the gooseneck portion **260** includes a cable length adjusting means **440** for varying the length of the cable according to the size of the instrument shaft being held by the gooseneck instrument holder **200**. Referring to FIG. **14**, in the preferred embodiment, the cable adjusting means **440** comprises the gooseneck button **273** having a threaded member **442** which threads into the exterior portion **444** of the gooseneck button **273**. The exterior portion **444** is rotated about the threaded member **442** to adjust the length of the gooseneck button **273** and thus vary the distance traveled by the cable **262** between the instrument holder tip **266** and the slider block **214**. The cable length adjusting means **440** permits the user to make minor adjustments to the length of the cable **262** in order to compensate for the different shaft diameters of the various instruments capable of being held at the instrument holder tip **266** so that the cable **262** may be kept at full tension. The cable length adjusting means **440** may be any of the devices well-known in the art for adjusting the length of a cable.

To rotate the locking apparatus **400**, a handle **402** may be either permanently affixed to the central assembly **410** or

may be removably attached to the central assembly 410. In order to removably attach handle 402 to the central assembly 410, a socket 404 is attached to the central assembly 410 so that it protrudes from the slider block 214 as shown in FIG. 14. The socket 404 has a square head depression 406 so that a handle 402 having a square head 408 can rotate the socket 404. The square head 408 of the handle 402 is inserted into the depression 406 and the handle 402 is rotated to rotate the central assembly 410 to the locked position A₂ or the unlocked position A₁. The handle 402 may be the same square head wrench 246 discussed above used to adjust the underlying apparatus to which the gooseneck instrument holder 200 is attached.

As an alternative embodiment of the self-locking apparatus 400, the end tip 424 may be configured so that the cable 262 is detachably attached to the central assembly 410 and thus may be easily replaced. As shown in FIGS. 19 and 20, in place of ball 425, the end tip 424 may have a cylindrical bar 450 at its end so that the end tip 424 is T-shaped. The cylindrical bar 450 may be attached to the central assembly 410 by inserting the cylindrical bar 450 into a vertical slit 452 in the central assembly 410 as shown in FIG. 20.

The vertical slit 452 has a width that is much smaller than the length of the vertical bar 450 and a length that is slightly greater than the length of the vertical bar 450. Once the vertical bar 450 is inserted within the vertical slit 452, the vertical bar 450 is rotated 90 degrees so that it can no longer pass through the vertical slit 452. To detach the vertical bar 450 from the central assembly 410, the vertical bar 450 is rotated so that it is aligned lengthwise with the vertical slit 452 and passes therethrough.

Other self-locking mechanisms well known in the art such as a cam, a double linked mechanism or any other mechanism capable of moving the cable 262 from position A₁ to position A₂, where A₂ is below the center line from A₁ may be used with the gooseneck instrument holder 200 without departing from the scope of the present invention.

Also, the gooseneck holder of the present invention is not limited to holding surgical instruments. The gooseneck holder may be adapted for use in settings where the holding and manipulation of tools is required. For example, the instrument holder tip of the present invention can be made to hold and position various tools and equipment such as, but not limited to, lights, welding instruments, lasers, drills, cameras, sensing devices, etc. so that the hands of the operator are freed while the view of the work site remains unobstructed by the gooseneck holder.

While the present invention has been disclosed and described with respect to specific embodiments, it is appreciated by those skilled in the art that various changes in form and detail may be made without departing from the spirit and scope of the invention.

What is claimed is:

1. A gooseneck instrument holder, comprising:
 - an adjustable gooseneck portion having a central cable, said cable terminating at one end at an instrument holder tip capable of firmly holding instruments, said cable terminating at its other end to a means for tightening the cable, said means for tightening the cable including means for selectively tightening said instrument holder tip and said gooseneck portion whereby said means for tightening said cable tightens said instrument holder tip and said gooseneck portion.
2. The gooseneck instrument holder of claim 1 wherein said means for tightening the cable tightens said instrument holder tip and said gooseneck portion at the same time.

3. The gooseneck instrument holder of claim 1 wherein said means for tightening the cable tightens said instrument holder tip prior to tightening said gooseneck portion.

4. The gooseneck instrument holder of claim 1 wherein said means for tightening the cable tightens said gooseneck portion prior to tightening said instrument holder tip.

5. The gooseneck instrument holder of claim 1 further including a tip button, said tip button having means for limiting the tightening of said instrument holder tip to prevent damage to an instrument being held comprising a notched front end and a depression in which said instrument holder tip may fit, said instrument holder tip having an aperture for the insertion of instruments, said instrument holder tip engaging said cable whereby when said cable pulls said instrument holder tip into said tip button, an instrument inserted through said tip opening is firmly held between said instrument holder tip and said tip button.

6. The gooseneck instrument holder of claim 1 including a fibre optic light cord at the instrument holder tip end.

7. The gooseneck instrument holder of claim 6 including means for attaching said fibre optic light cord to said adjustable gooseneck portion.

8. The gooseneck instrument holder of claim 6 wherein said fibre optic light cord is disposed within said adjustable gooseneck portion.

9. A gooseneck instrument holder, comprising:

- an adjustable gooseneck portion having a central cable, said cable terminating at one end to a means for tightening the cable; and
- an adjustable base, said adjustable base coupled to said adjustable gooseneck; said means for tightening the cable including means for selectively tightening said adjustable base and said adjustable gooseneck portion whereby said means for tightening said cable tightens said gooseneck portion and said adjustable base.

10. The gooseneck instrument holder of claim 9 wherein said means for tightening the cable tightens said adjustable base and said gooseneck portion at the same time.

11. The gooseneck instrument holder of claim 9 wherein said means for tightening the cable tightens said adjustable base prior to tightening said gooseneck portion.

12. The gooseneck instrument holder of claim 9 wherein said means for tightening the cable tightens said gooseneck portion prior to tightening said adjustable base.

13. The gooseneck instrument holder of claim 9 including a fibre optic light cord.

14. The gooseneck instrument holder of claim 13 including means for attaching said fibre optic light cord to said adjustable gooseneck portion.

15. The gooseneck instrument holder of claim 13 wherein said fibre optic light cord is disposed within said adjustable gooseneck portion.

16. A gooseneck instrument holder, comprising:

- an adjustable gooseneck portion having a central cable, said cable terminating at one end at an instrument holder tip capable of firmly holding instruments, said cable terminating at its other end to a means for tightening the cable; and

an adjustable base, said adjustable base coupled to said adjustable gooseneck, said means for tightening the cable including means for selectively tightening said instrument holder, said adjustable gooseneck and said adjustable base whereby said means for tightening said cable tightens said instrument holder and said adjustable base.

17. The gooseneck instrument holder of claim 16 wherein said means for tightening the cable tightens said instrument holder tip and said adjustable base at the same time.

18. The gooseneck instrument holder of claim 16 wherein said means for tightening the cable tightens said instrument holder tip prior to tightening said adjustable base.

19. The gooseneck instrument holder of claim 16 wherein said means for tightening the cable tightens said adjustable base prior to tightening said instrument holder tip.

20. The gooseneck instrument holder of claim 16 further including a tip button, said tip button having a notched front end and defining a depression in which said instrument holder tip may fit, said instrument holder tip having an aperture for the insertion of instruments, said instrument holder tip engaging said cable whereby when said cable pulls said instrument holder tip into said tip button, an instrument inserted through said tip opening is firmly held between said instrument holder tip and said tip button.

21. The gooseneck instrument holder of claim 16 including a fibre optic light cord.

22. The gooseneck instrument holder of claim 21 including means for attaching said fibre optic light cord to said adjustable gooseneck portion.

23. The gooseneck instrument holder of claim 21 wherein said fibre optic light cord is disposed within said adjustable gooseneck portion.

24. A gooseneck instrument holder, comprising:

an adjustable gooseneck portion having a central cable; said cable terminating at one end at an instrument holder tip capable of firmly holding instruments, said cable terminating at its other end to a means for tightening the cable; and

an adjustable base, said adjustable base coupled to said adjustable gooseneck, said means for tightening the cable including means for selectively tightening said adjustable base, said instrument holder and said gooseneck portion whereby said means for tightening said cable tightens said adjustable base, said instrument holder tip and said gooseneck.

25. The gooseneck instrument holder of claim 24 wherein said means for tightening the cable tightens said instrument holder tip, said adjustable base and said gooseneck at the same time.

26. The gooseneck instrument holder of claim 24 wherein said means for tightening the cable first tightens said instrument holder tip, then tightens said adjustable base and then tightens said gooseneck.

27. The gooseneck instrument holder of claim 24 wherein said means for tightening the cable first tightens said instrument holder tip, then tightens said gooseneck and then tightens said adjustable base.

28. The gooseneck instrument holder of claim 24 wherein said means for tightening the cable first tightens said gooseneck, then tightens said adjustable base and then tightens said instrument holder tip.

29. The gooseneck instrument holder of claim 24 wherein said means for tightening the cable first tightens said gooseneck, then tightens said instrument holder tip and then tightens said adjustable base.

30. The gooseneck instrument holder of claim 24 wherein said means for tightening the cable first tightens said adjustable base, then tightens said instrument holder tip and then tightens said gooseneck.

31. The gooseneck instrument holder of claim 24 wherein said means for tightening the cable first tightens said adjustable base, then tightens said gooseneck and then tightens said instrument holder tip.

32. The gooseneck instrument holder of claim 24 further including a tip button, said tip button having a notched front end and defining a depression in which said instrument

holder tip may fit, said instrument holder tip having an aperture for the insertion of instruments, said instrument holder tip engaging said cable whereby when said cable pulls said instrument holder tip into said tip button, an instrument inserted through said tip opening is firmly held between said instrument holder tip and said tip button.

33. The gooseneck instrument holder of claim 24, including means intermediate said first end and said second end of said cable for directing the path of said cable.

34. The gooseneck instrument holder of claim 24, wherein said adjustable base further comprises:

a base plate, said base plate including a slot;

a slider block, said slider block slidably fitting within said slot; and

a slider pin, a portion of said slider pin passing through said slot and having means for directing said cable and thus varying the relative forces associated with tightening the cable.

35. The gooseneck instrument holder of claim 34, wherein relative adjustment of said base to said gooseneck to said tip is adjustable.

36. The gooseneck instrument holder of claim 24 including a fibre optic light cord.

37. The gooseneck instrument holder of claim 36 including means for attaching said fibre optic light cord to said adjustable gooseneck portion.

38. The gooseneck instrument holder of claim 36 wherein said fibre optic light cord is disposed within said adjustable gooseneck portion.

39. A gooseneck instrument holder, comprising:

a base, said base having a slot and having two support posts for attaching said base to a retractor frame;

a slider pin having a cable directing means for varying the relative forces associated with tightening a cable, said slider pin having a base and a key, said key defining an opening therethrough, said slider pin fitting through said slot in said base while said slider base cannot fit through said slot;

a slider block, said slider block having two arms that fit within said slot whereby said slider block can travel along said base, said slider pin key fitting within said slider block, said slider block defining a first opening for a cable, a second opening for said slider pin key, a third opening for a threaded pin, and a fourth opening for a bolt;

a threaded pin, said threaded pin threaded both internally and externally, said external threading of said threaded bolt absent along two oppositely situated external sides of said pin so that said sides are smooth, said threaded pin fitting within said third opening of said slider block;

a bolt, said bolt having a forward end with internal threads for engaging said threaded pin, said bolt defining a passage through which a screw can partially pass to engage said threaded pin, said bolt defining a depression by which a wrench can turn the bolt, said bolt fitting within said fourth opening of said slider block;

a screw, said screw fitting within and passing partially through said bolt so that a threaded end of said screw may engage said internal threads of said threaded pin;

at least one gooseneck button, said gooseneck button having a round protruding first end and a second end defining a round depression so that a second gooseneck button similarly constructed to said gooseneck button may fit and articulate with said gooseneck button, said gooseneck buttons having a hole therethrough;

a tip button, said tip button having a notched front end and a depression in which an instrument tip may fit;
 spring means, said spring means fitting within said notched front end;

a cable, said cable having a forward cable tip and a rear threaded tip, said rear threaded end passing through a plurality of said gooseneck buttons, through said first opening of said slider block, and through said opening defined by said slider pin key, said threaded tip of said cable engaging said internal threads of said threaded pin whereby rotation of said bolt engages said threaded pin and tightens or loosens said cable depending on the direction of the rotation; and

an instrument holder tip, said instrument holder tip having a tip opening therethrough for the insertion of instruments, said instrument holder tip engaging said forward cable tip and fitting within said depression of said tip button and engaging said spring whereby when said cable pulls said instrument tip into said tip button, an instrument inserted through said tip opening is firmly held between said instrument holder tip and said tip button.

40. The gooseneck instrument holder of claim 39, wherein when the location of said slider key opening is changed, forces generated by said cable are distributed differently throughout the gooseneck instrument holder.

41. The gooseneck instrument holder of claim 39 wherein the rotation of said bolt to tighten the cable tightens said instrument holder tip, said base and said gooseneck buttons at the same time.

42. The gooseneck instrument holder of claim 39 wherein the rotation of said bolt to tighten the cable first tightens said instrument holder tip, then tightens said base and then tightens said gooseneck button.

43. The gooseneck instrument holder of claim 39 wherein the rotation of said bolt to tighten the cable first tightens said instrument holder tip, then tightens said gooseneck buttons and then tightens said base.

44. The gooseneck instrument holder of claim 39 wherein the rotation of said bolt to tighten the cable first tightens said gooseneck buttons, then tightens said base and then tightens said instrument holder.

45. The gooseneck instrument holder of claim 39 wherein the rotation of said bolt to tighten the cable first tightens said gooseneck buttons, then tightens said instrument holder tip and then tightens said base.

46. The gooseneck instrument holder of claim 39 wherein the rotation of said bolt to tighten the cable first tightens said base, then tightens said instrument holder tip and then tightens said gooseneck buttons.

47. The gooseneck instrument holder of claim 39 wherein the rotation of said bolt to tighten the cable first tightens said base, then tightens said gooseneck buttons and then tightens said instrument holder tip.

48. The gooseneck instrument holder of claim 39 including a fibre optic light cord.

49. The gooseneck instrument holder of claim 48 including means for attaching said fibre optic light cord to said gooseneck buttons.

50. The gooseneck instrument holder of claim 48 wherein said fibre optic light cord passes through said gooseneck buttons.

51. The gooseneck instrument holder of claim 39 wherein said wrench is detachable.

52. The gooseneck instrument holder of claim 51 in which said wrench is an interchangeable part which may be used to adjust a retractor frame or other apparatus associated with the use of said instrument holder.

53. A gooseneck instrument holder, comprising:
 an adjustable gooseneck portion having a central cable, said cable terminating at one end at an instrument holder tip capable of firmly holding instruments, said cable terminating at its other end to a means for tightening the cable whereby said means for tightening said cable tightens said instrument holder tip and said gooseneck portion, said means for tightening the cable tightens said gooseneck portion prior to tightening said instrument holder tip.

54. A gooseneck instrument holder, comprising:
 an adjustable gooseneck portion having a central cable, said cable terminating at one end to a means for tightening the cable; and
 an adjustable base, said adjustable base coupled to said adjustable gooseneck whereby said means for tightening said cable tightens said gooseneck portion and said adjustable base, said means for tightening the cable tightens said adjustable base prior to tightening said gooseneck portion.

55. A gooseneck instrument holder, comprising:
 an adjustable gooseneck portion having a central cable, said cable terminating at one end at an instrument holder tip capable of firmly holding instruments, said cable terminating at its other end to a means for tightening the cable; and
 an adjustable base, said adjustable base coupled to said adjustable gooseneck whereby said means for tightening said cable tightens said instrument holder tip and said adjustable base, said means for tightening the cable tightens said adjustable base prior to tightening said instrument holder tip.

56. A gooseneck instrument holder, comprising:
 an adjustable gooseneck portion having a central cable; said cable terminating at one end at an instrument holder tip capable of firmly holding instruments, said cable terminating at its other end to a means for tightening the cable; and
 an adjustable base, said adjustable base coupled to said adjustable gooseneck whereby said means for tightening said cable tightens said base, said instrument holder tip and said gooseneck, said means for tightening the cable first tightens said instrument holder tip, then tightens said adjustable base and then tightens said gooseneck.

57. A gooseneck instrument holder, comprising:
 an adjustable gooseneck portion having a central cable; said cable terminating at one end at an instrument holder tip capable of firmly holding instruments, said cable terminating at its other end to a means for tightening the cable; and
 an adjustable base, said adjustable base coupled to said adjustable gooseneck whereby said means for tightening said cable tightens said base, said instrument holder tip and said gooseneck, said means for tightening the cable first tightens said gooseneck, then tightens said adjustable base and then tightens said instrument holder tip.

58. A gooseneck instrument holder, comprising:
 an adjustable gooseneck portion having a central cable; said cable terminating at one end at an instrument holder tip capable of firmly holding instruments, said cable terminating at its other end to a means for tightening the cable; and
 an adjustable base, said adjustable base coupled to said adjustable gooseneck whereby said means for tighten-

ing said cable tightens said base, said instrument holder tip and said gooseneck, said means for tightening the cable first tightens said gooseneck, then tightens said instrument holder tip and then tightens said adjustable base.

59. A gooseneck instrument holder, comprising:

an adjustable gooseneck portion having a central cable; said cable terminating at one end at an instrument holder tip capable of firmly holding instruments, said cable terminating at its other end to a means for tightening the cable; and

an adjustable base, said adjustable base coupled to said adjustable gooseneck whereby said means for tightening the cable tightens said base, said instrument holder tip and said gooseneck, said means for tightening the cable first tightens said adjustable base, then tightens said instrument holder tip and then tightens said gooseneck.

60. A gooseneck instrument holder, comprising:

an adjustable gooseneck portion having a central cable; said cable terminating at one end at an instrument holder tip capable of firmly holding instruments, said cable terminating at its other end to a means for tightening the cable; and

an adjustable base, said adjustable base coupled to said adjustable gooseneck whereby said means for tightening said cable tightens said base, said instrument holder tip and said gooseneck, said means for tightening the cable first tightens said adjustable base, then tightens said gooseneck and then tightens said instrument holder tip.

61. A gooseneck instrument holder, comprising:

an adjustable gooseneck portion having a central cable; said cable terminating at one end at an instrument holder tip capable of firmly holding instruments, said cable terminating at its other end to a means for tightening the cable;

an adjustable base, said adjustable base coupled to said adjustable gooseneck whereby said means for tightening said cable tightens said base, said instrument holder

tip and said gooseneck, said adjustable base comprising:

a base plate, said base plate including a slot;

a slider block, said slider block slidably fitting within said slot; and

a slider pin, a portion of said slider pin passing through said slot and having means for directing said cable and thus varying the relative forces associated with tightening the cable.

62. The gooseneck instrument holder of claim 61, wherein relative adjustment of said base to said gooseneck to said tip is adjustable.

63. A gooseneck instrument holder, comprising:

an adjustable gooseneck portion having a central cable; said cable terminating at one end at an instrument holder tip capable of firmly holding instruments, said cable terminating at its other end to a means for tightening the cable; and

an adjustable base, said adjustable base coupled to said adjustable gooseneck whereby said means for tightening said cable tightens, said adjustable base, said instrument holder tip and said gooseneck, said means for tightening the cable first tightens said instrument holder tip, then tightens said gooseneck and then tightens said adjustable base.

64. A gooseneck instrument holder comprising a gooseneck portion having a plurality of segments terminating in an end segment having a holding means for holding an instrument, said holding means comprising safety means for limiting the tightening of said holding means to prevent damage to an instrument being held, said means for holding an instrument tip including an instrument holder tip and a depression for receiving said holder tip, said end segment having a notched front end for holding said holder tip, and a central cable, said central cable engaging said holder tip whereby said central cable pulls said holder tip against said notched front end of said end segment.

* * * * *