



US00D325081S

**United States Patent** [19]  
**Michelson**

[11] **Patent Number: Des. 325,081**

[45] **Date of Patent: \*\* Mar. 31, 1992**

[54] **SPINAL MARKING NEEDLE**

4,609,370 9/1986 Morrison ..... 128/754 X

[76] **Inventor: Gary K. Michelson, 438 Sherman Canal, Venice, Calif. 90291**

*Primary Examiner—Stella Reid  
Attorney, Agent, or Firm—Lewis Anten*

[\*\*] **Term: 14 Years**

[57] **CLAIM**

The ornamental design for a spinal marking needle, as shown and described.

[21] **Appl. No.: 166,612**

[22] **Filed: Mar. 11, 1988**

[52] **U.S. Cl. .... D24/112**

[58] **Field of Search .... D24/24, 25, 26-28;  
604/51, 44, 117, 52, 272, 158; 606/1, 15, 61, 96,  
97, 130; 128/749, 751, 754, 755**

**DESCRIPTION**

**FIG. 1** is a right perspective view of a spinal marking needle, showing my new design, the broken line showing of the syringe is for illustrative purposes only and forms no part of the claimed design;  
**FIG. 2** is a front elevational view thereof, the rear elevational view being a mirror image;  
**FIG. 3** is a top plan view thereof, the rear elevational view being a mirror image;  
**FIG. 4** is a bottom plan view thereof; and,  
**FIG. 5** is a right side elevational view thereof, the left side elevational view being a mirror image.

[56] **References Cited**

**U.S. PATENT DOCUMENTS**

D. 138,589	8/1944	Brandenburg	.....	D24/24
2,704,074	3/1955	Butler	.....	604/272
2,952,256	9/1960	Meador et al.	.....	604/272
3,788,320	1/1974	Dye	.....	604/272 X

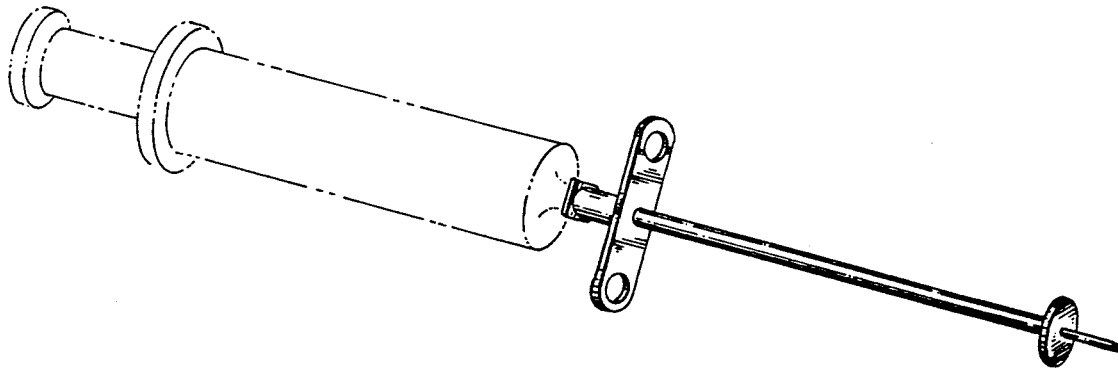


FIG. 1

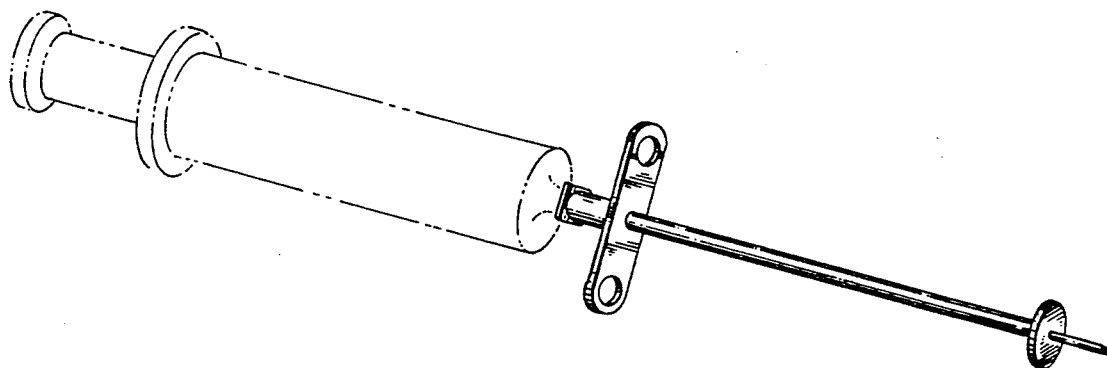


FIG. 2

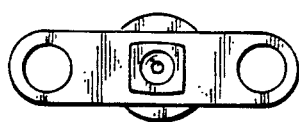
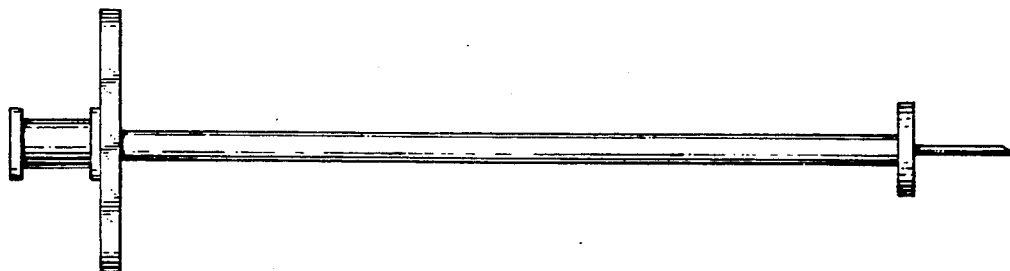


FIG. 3

FIG. 4

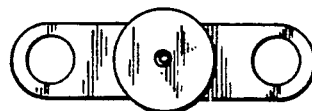


FIG. 5

