

[54] LUMBAR INTERBODY GAUGE

DESCRIPTION

[76] Inventor: Gary K. Michelson, 438 Sherman Canal, Venice, Calif. 90291

FIG. 1 is a top, front, and right side elevational view of a lumbar interbody gauge showing my new design; FIG. 2 is a front elevational view, the rear elevational view being identical; FIG. 3 is a top plan view, the bottom plan view being identical; FIG. 4 is a left side elevational view; FIG. 5 is a right side elevational view; FIG. 6 is a top, front, and right side perspective view of the first embodiment of FIGS. 1-5; FIG. 7 is a front elevational view, the rear elevational view being identical; FIG. 8 is a top plan view, the bottom plan view being identical; FIG. 9 is a left side elevational view; FIG. 10 is a right side elevational view; FIG. 11 is a top, front, and right side perspective view of the second embodiment of FIGS. 1-5; FIG. 12 is a top plan view, the bottom plan view being identical; FIG. 13 is a front elevational view, the rear elevational view being identical; FIG. 14 is a right side elevational view; FIG. 15 is a left side elevational view; FIG. 16 is a top, front, and right side perspective view of the third embodiment of FIGS. 1-5; FIG. 17 is a top plan view, the bottom plan view being identical; FIG. 18 is a front elevational view, the rear elevational view being identical; FIG. 19 is a right side elevational view; FIG. 20 is a left side elevational view; FIG. 21 is a top, front, and right side perspective view of the fourth embodiment of FIGS. 1-5; FIG. 22 is a top plan view, the bottom plan view being identical; FIG. 23 is a front elevational view, the rear elevational view being identical; FIG. 24 is a right side elevational view; and FIG. 25 is a left side elevational view thereof.

[**] Term: 14 Years

[21] Appl. No.: 121,704

[22] Filed: Nov. 16, 1987

[52] U.S. Cl. D10/64

[58] Field of Search D10/46, 61, 64; D24/33; 33/511, 512, 515; 128/92 R-92 V, 92 VL; 606/53, 54, 55, 56, 57, 58, 59, 60, 80, 88, 90, 102, 103, 105; 623/11, 12, 13, 14, 15, 16, 17, 18, 19, 20, 21, 22, 23

[56] References Cited

U.S. PATENT DOCUMENTS

- 3,534,731 10/1970 Muller 606/105
4,403,606 9/1983 Woo et al. 623/16 X
4,632,114 12/1986 Todd et al. 623/14 X

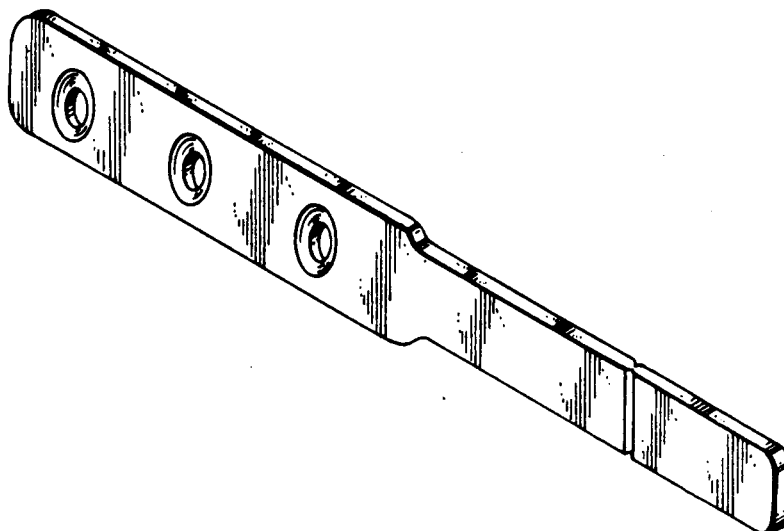
OTHER PUBLICATIONS

- Depuy, Flat S.M.O. Bone Plates, 1943, p. 89.
Journal of Bone and Joint Surgery, FIG. 5, 4/1951, p. 354.
Aloe Medical, Clarion Catheter Sterilizing Holder, 1/27/66, p. 181.

Primary Examiner—Nelson C. Holtje
Assistant Examiner—Antoine D. Davis
Attorney, Agent, or Firm—Lewis Anten

[57] CLAIM

The ornamental design for a lumbar interbody gauge, as shown.



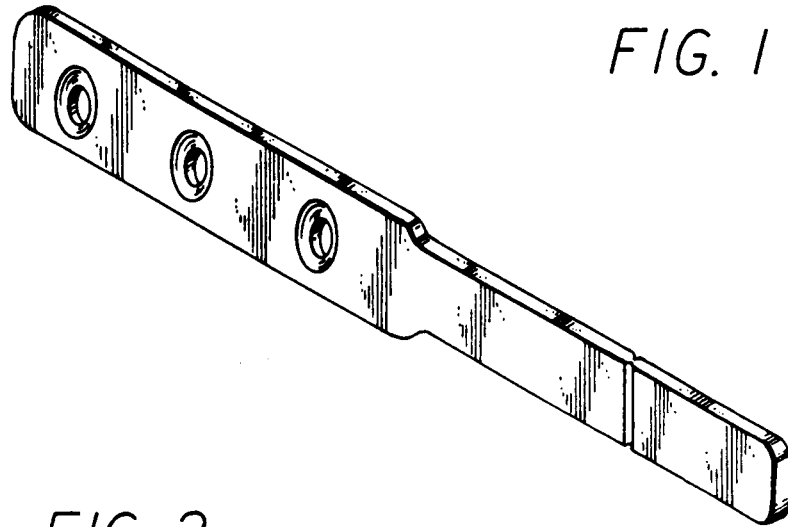


FIG. 1

FIG. 2

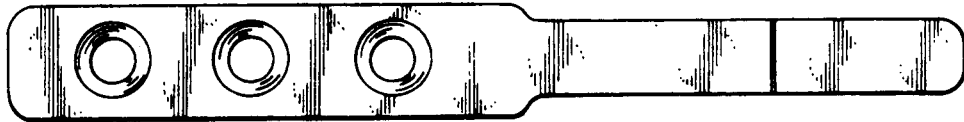


FIG. 3

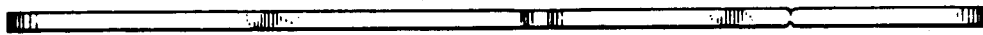


FIG. 4



FIG. 5

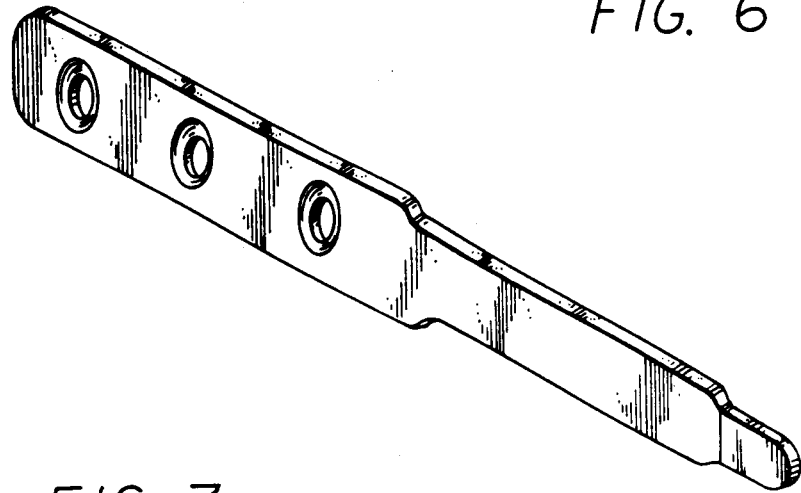


FIG. 6

FIG. 7

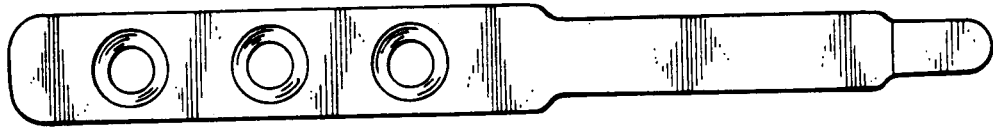


FIG. 8

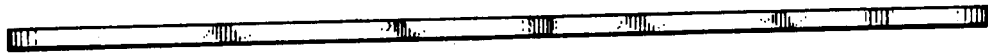


FIG. 9



FIG. 10

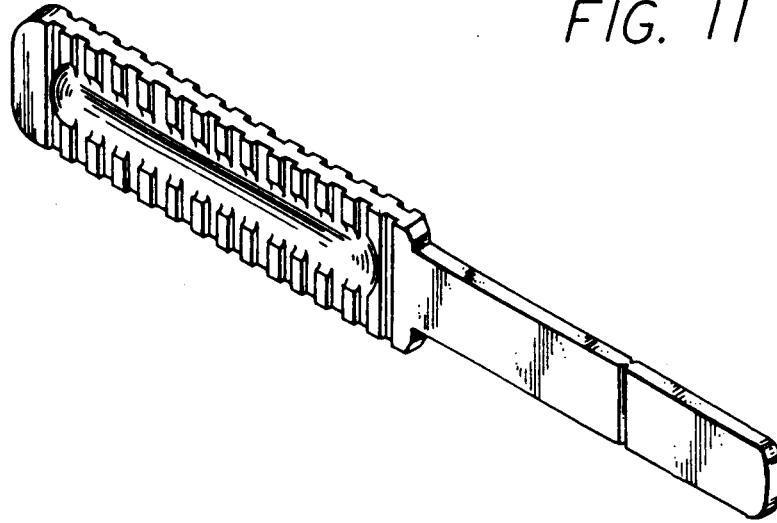


FIG. 11

FIG. 12



FIG. 13



FIG. 14

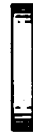


FIG. 15

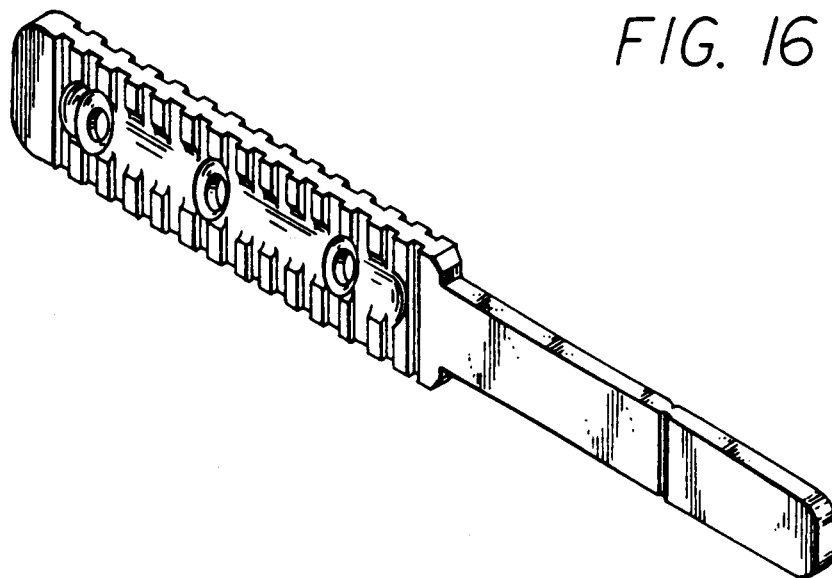


FIG. 16

FIG. 17

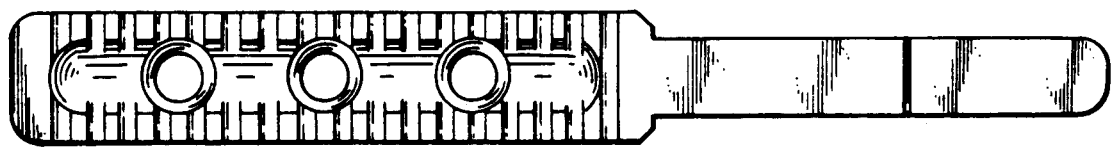


FIG. 18



FIG. 19



FIG. 20

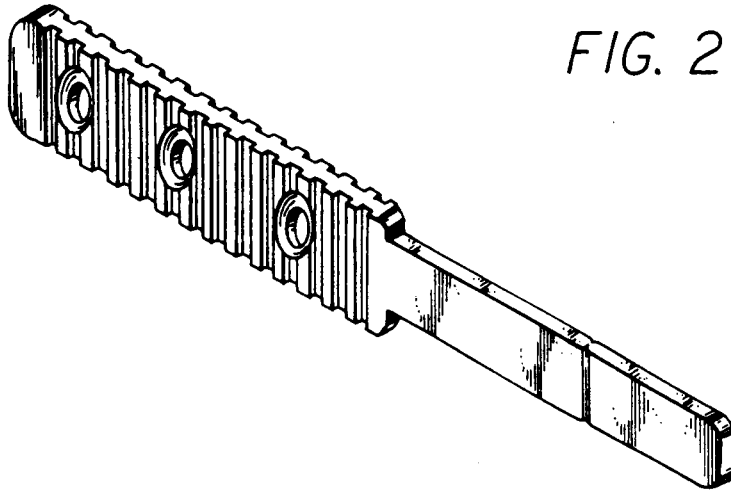


FIG. 21

FIG. 22



FIG. 23



FIG. 24



FIG. 25